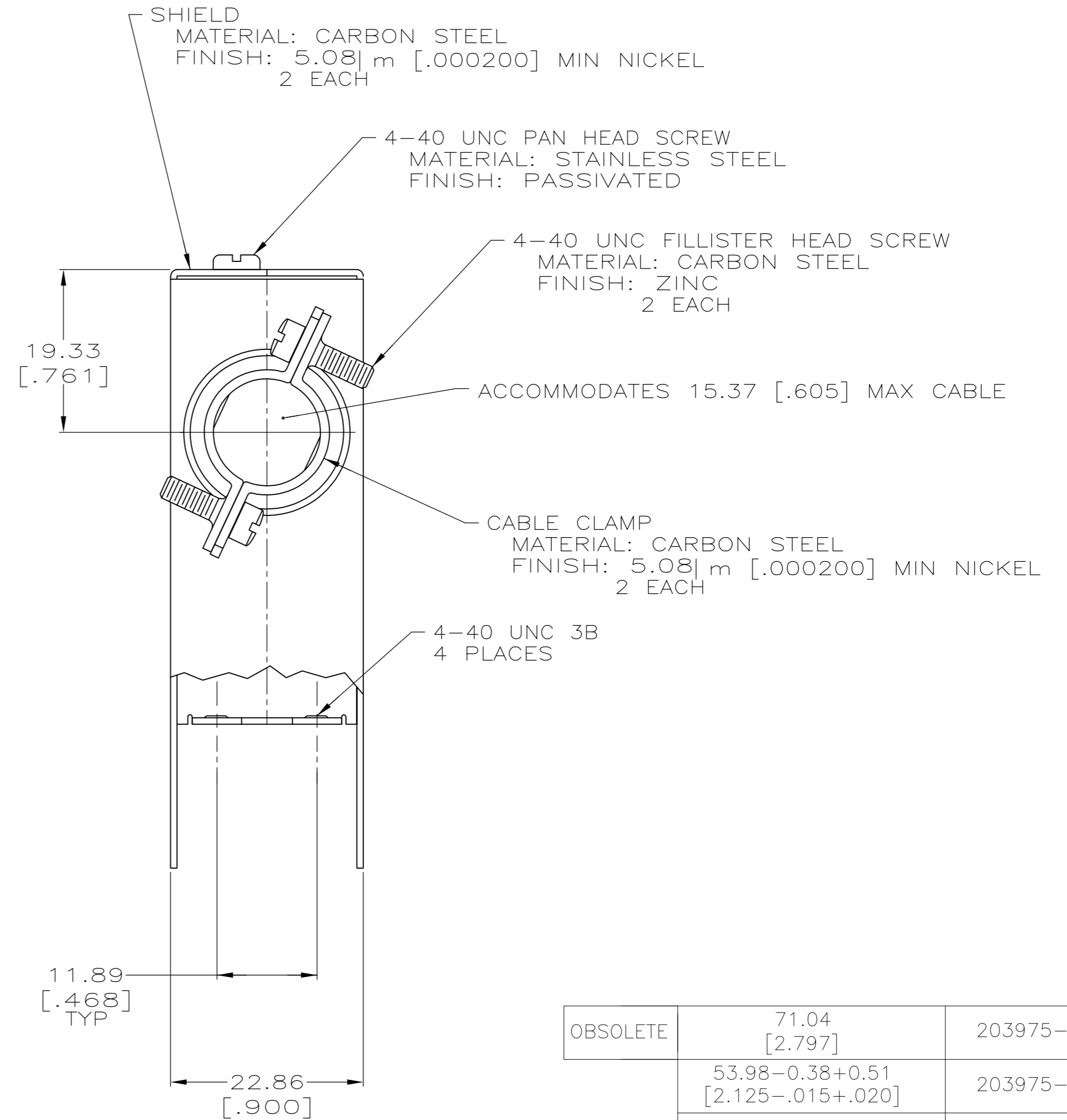
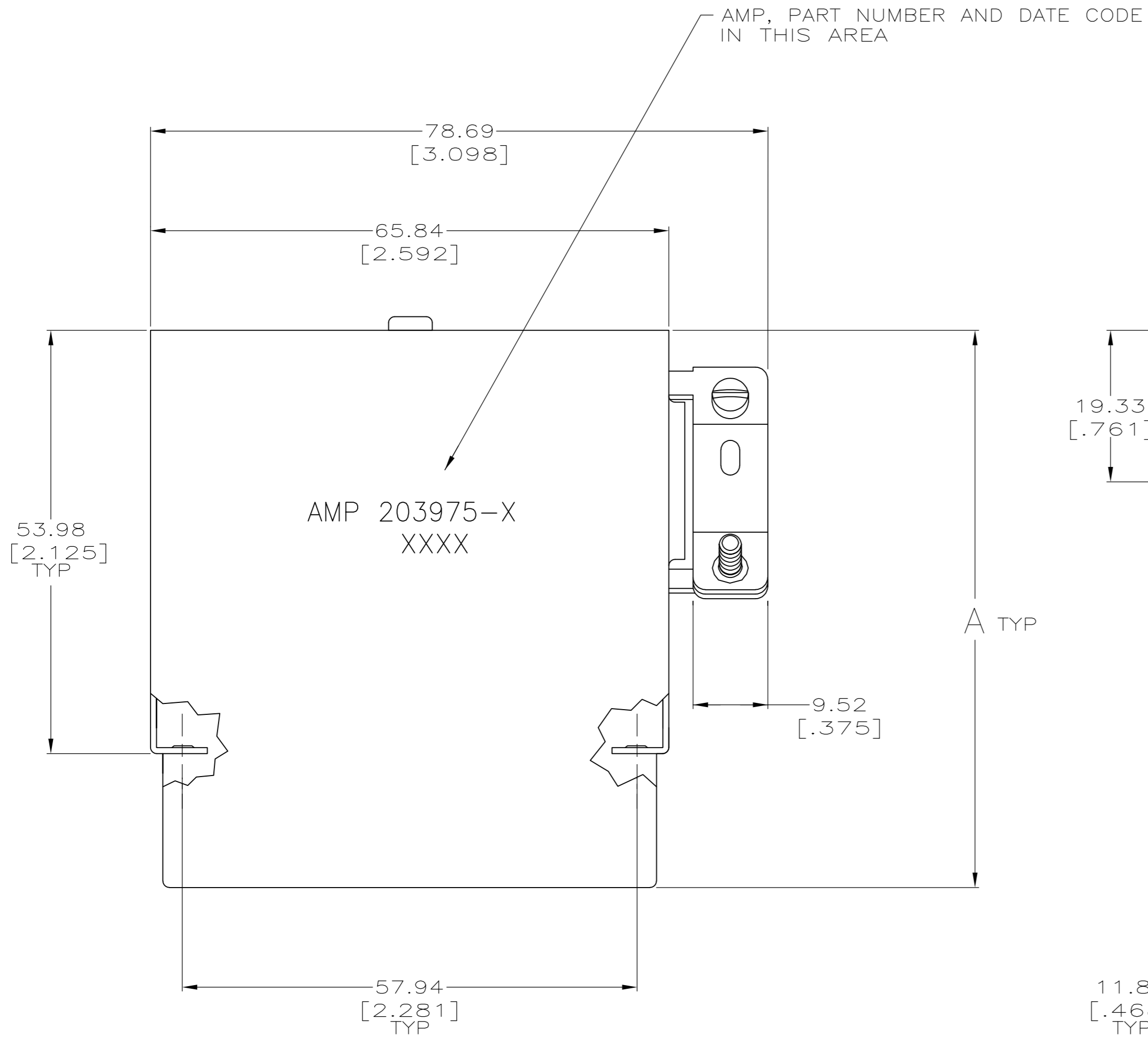


THIS DRAWING IS UNPUBLISHED. RELEASED FOR PUBLICATION  
 © COPYRIGHT - By - ALL RIGHTS RESERVED.

LOC		DIST		REVISIONS			
P	LTR	DESCRIPTION		DATE	DWN	APVD	
BD	36	G1	REVISED PER ECO-13-008672		31AUG2013	KH	DR



OBSOLETE	71.04 [2.797]	203975-2
	53.98-0.38+0.51 [2.125-.015+.020]	203975-1
	A	PART NUMBER

THIS DRAWING IS A CONTROLLED DOCUMENT.		DWN	C.DORWART	28 SEP 95																		
DIMENSIONS: mm [INCHES]		CHK	R.STONE	02 OCT 95																		
TOLERANCES UNLESS OTHERWISE SPECIFIED:		APVD	G.STEINHAUER	04 OCT 95																		
<table border="1"> <tr><td>0 PLC</td><td>±</td><td>-</td></tr> <tr><td>1 PLC</td><td>±</td><td>-</td></tr> <tr><td>2 PLC</td><td>±</td><td>0.38 [.015]</td></tr> <tr><td>3 PLC</td><td>±</td><td>-</td></tr> <tr><td>4 PLC</td><td>±</td><td>-</td></tr> <tr><td>ANGLES</td><td>±</td><td>-</td></tr> </table>		0 PLC	±	-		1 PLC	±	-	2 PLC	±	0.38 [.015]	3 PLC	±	-	4 PLC	±	-	ANGLES	±	-	PRODUCT SPEC	NAME
0 PLC	±	-																				
1 PLC	±	-																				
2 PLC	±	0.38 [.015]																				
3 PLC	±	-																				
4 PLC	±	-																				
ANGLES	±	-																				
MATERIAL SEE CALLOUTS		FINISH	SEE CALLOUTS		APPLICATION SPEC	SIZE	CAGE CODE	DRAWING NO	RESTRICTED TO													
		WEIGHT	-		SCALE	2:1	SHEET	1 OF 1	REV													
		CUSTOMER DRAWING		A2 00779 C=203975				G1														