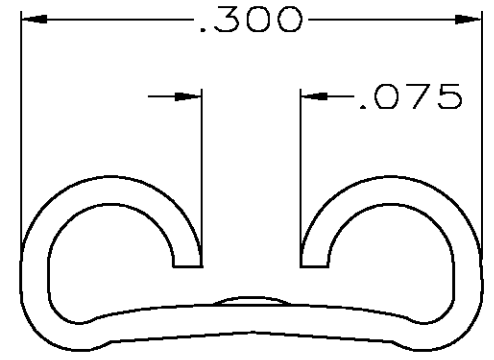
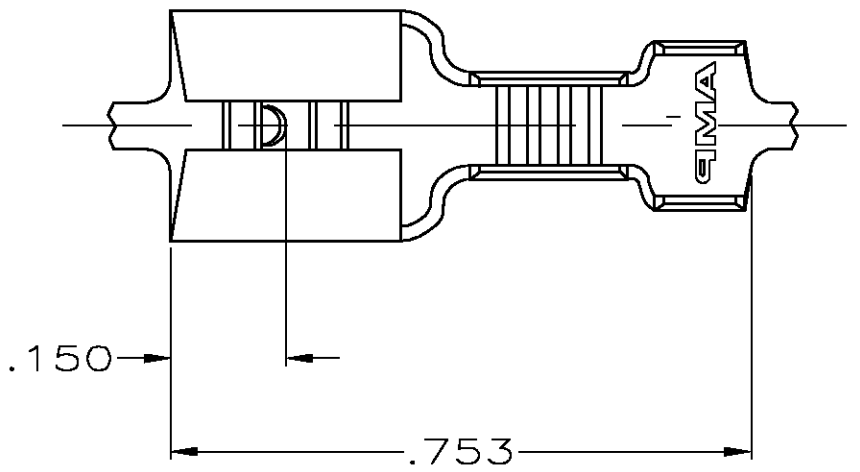


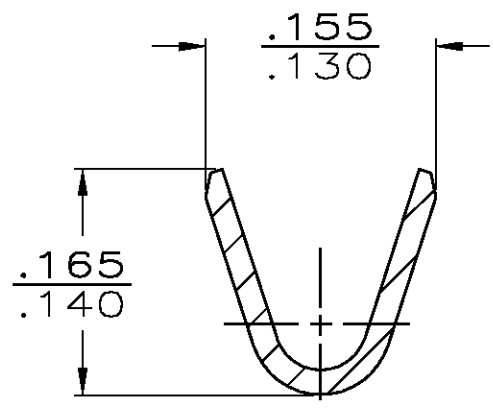
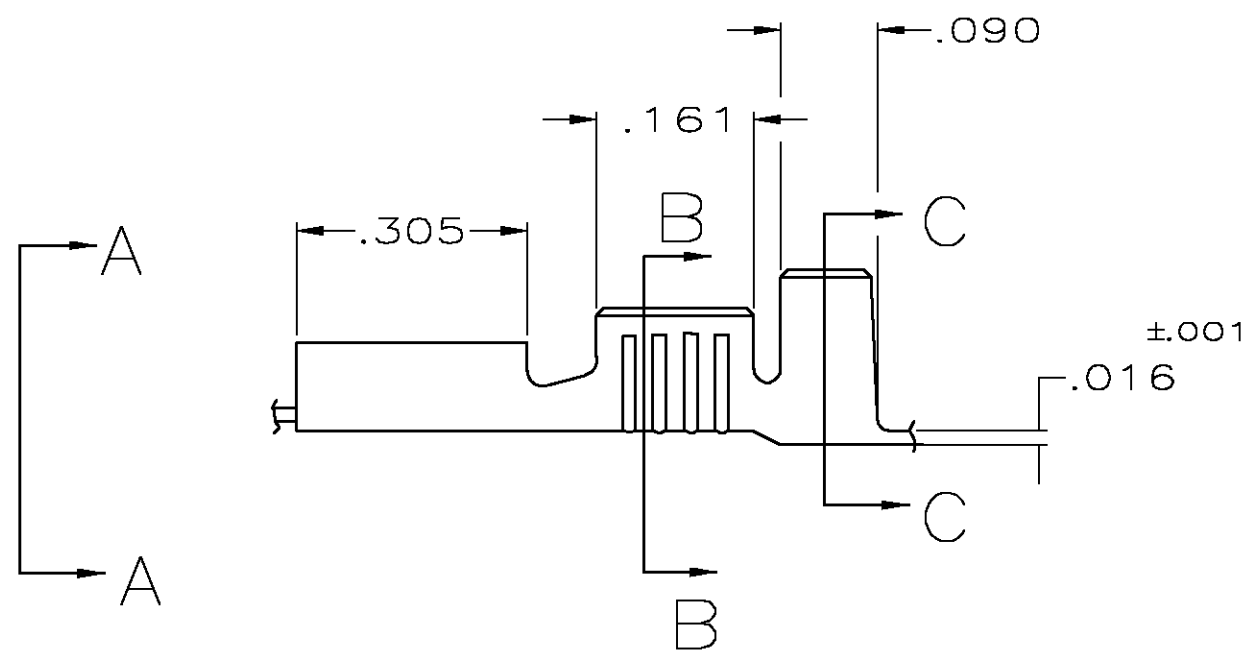
THIS DRAWING IS UNPUBLISHED. RELEASED FOR PUBLICATION
 © COPYRIGHT BY TYCO ELECTRONICS CORPORATION. ALL RIGHTS RESERVED.

LOC	DIST	REVISIONS					
AF	50	P	LTR	DESCRIPTION	DATE	DWN	APVD
		G		REV PER 0G3A-0842-04	26OCT04	JR	PD

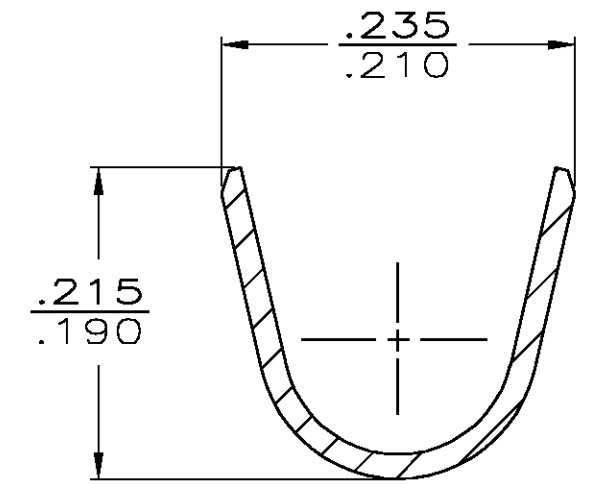
1 CONTINUOUS STRIP ON REELS.



VIEW A-A
SCALE 8:1



SECTION B-B
SCALE 8:1



SECTION C-C
SCALE 8:1

.120-.170	18-14	.032	42219-1
INSUL RANGE	WIRE SIZE	MATING TAB THK ±.001	PART NO.

F	.180	.220	F	.110	.058	18
					.064	16
					.073	14
TYPE	WIDTH	STRIP LENGTH ±.015	TYPE	WIDTH	±.002 HEIGHT	WIRE
INSUL BARREL CRIMP			WIRE BARREL CRIMP			

THIS DRAWING IS A CONTROLLED DOCUMENT.

DIMENSIONS: INCHES

TOLERANCES UNLESS OTHERWISE SPECIFIED:

0 PLC	± -
1 PLC	± -
2 PLC	± -
3 PLC	± .015
4 PLC	± -
ANGLES	± -

MATERIAL: TEMP 2 STEEL

FINISH: .000150 MIN NICKEL

DWN: JR RUTH 5/12/89

CHK: MS FEHER 5/15/89

APVD: R KUZO 5/15/89

PRODUCT SPEC

APPLICATION SPEC

WEIGHT: -

CUSTOMER DRAWING

tyco Electronics Tyco Electronics Corporation
Harrisburg, Pa 17105-3608

RECEPTACLE, FASTON, .250 SERIES

SIZE	CAGE CODE	DRAWING NO	RESTRICTED TO
A3	00779	C-42219	-

SCALE 4:1 SHEET 1 OF 1 REV G