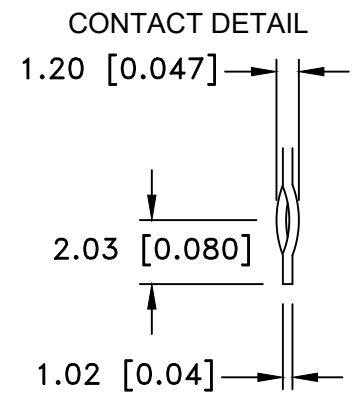
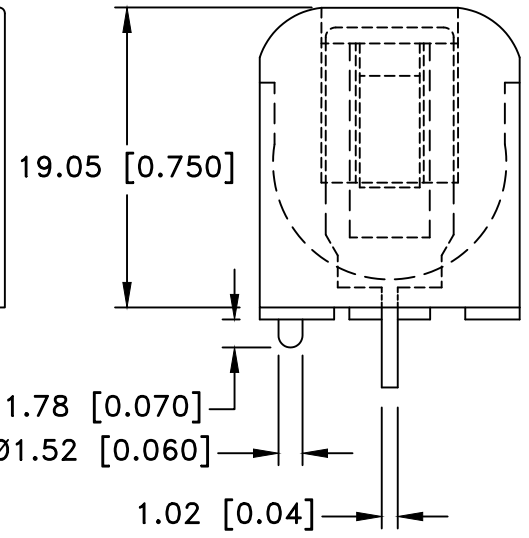
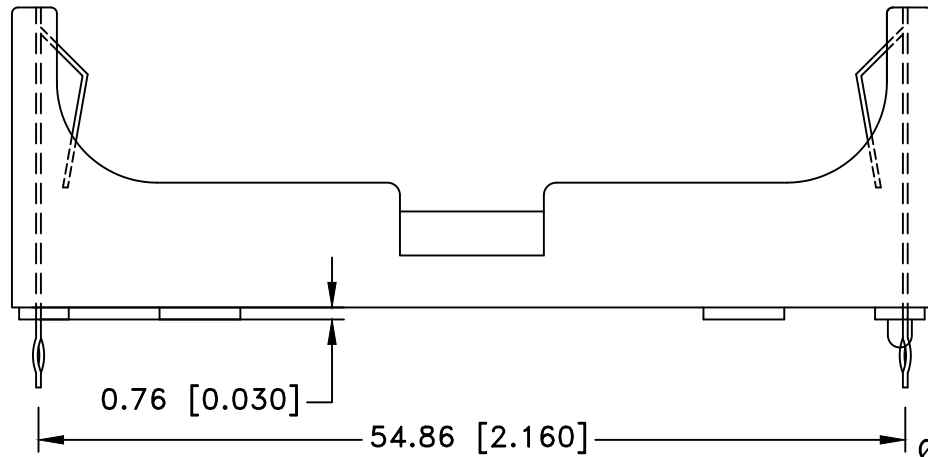
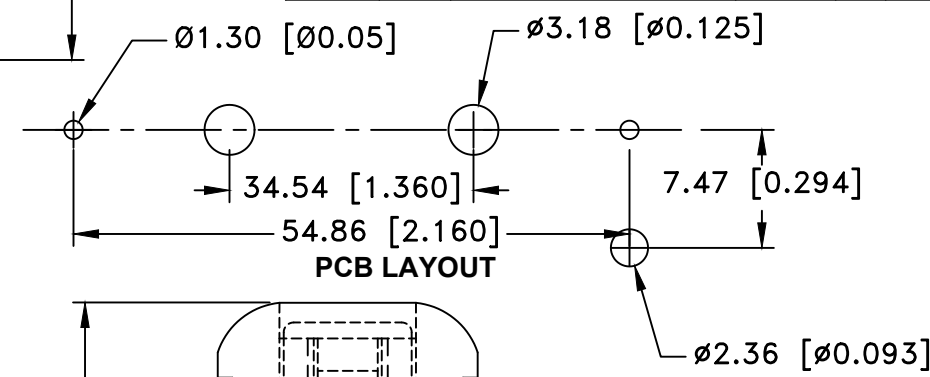



Date	SYM	REVISION RECORD	AUTH	DR.	CK.
02/22/13	A	UPDATED TO "ROHS 2 COMPLIANT"	T.B.	B.S.	
12/29/17	B	MILLISECONDS WAS MICRO SECONDS	T.B.	B.S.	
04/05/19	C	Dim. Ø1.30 was Ø1.17 Dim. 1.20 was 0.81 Dim. 1.02 was 0.41 Removed Dim. 4.57	T.B.	B.S.	



**SPECIFICATIONS:**

Holder Material: Black PBT, Flammability Rating: UL94V-0, FILE #E53829  
 Contacts: 301 Spring temper stainless steel, Gold flash over nickel plated  
 Dielectric strength: 560 Volts/mil at 25°C for 5 Sec.  
 Temperature Range: -55°C to +180°C  
 Vibration Test: 10-50-10 Hz swept in 60 seconds  
 X,Y,Z direction: 1 hour each direction, No dislodgement of the cell or damage, No discontinuity over 10 micro-seconds  
 Shock Test: Half sine wave acceleration 150g. 6 milliseconds, 1 shock pulses each direction per axis, total of 6 pulses, No evidence of physical damage  
 NOTES: Eyelet Stimpson style #A1883 0.110" OD x 0.190" Flange  
 Flange Recess Ø0.203" x 0.090" Deep  
 Accepts Standard 2-56 Machine Screws  
 Accessories: BI-UM-3-4, Insulator  
 ROHS COMPLIANT

Tolerance (Except as noted)	 <b>Memory Protection Devices, Inc</b> 200 Broad Hollow Road, Farmingdale, New York 11735			
	decimal ±.5 (.020)		Scale	Drawn By B.S. Approved By T.B.
Fractional ± .8 (.030)	Title AA HOLDER WITH GOLD PCB CONTACTS			
Angular ± 3°	Date 04/05/19	Drawing Number BHAA-3-G		