

DATA SHEET

SKY85202-11: 2.4 GHz, 802.11ac Switch/Low-Noise Amplifier Front-End

Applications

- WiFi-enabled handsets, tablets, and mobile systems
- System-in-Package (SiP) modules for embedded systems
- 802.11n/ac smartphones and tablets

Features

- Integrates an SP3T switch and LNA with bypass mode
- Receive gain: 14 dB
- Noise figure: 2 dB
- Transmit/Bluetooth® path loss: 0.6 dB
- Small flip chip die (15-bump, 1.04 x 1.04 mm) package (MSL1, 260 °C per JEDEC-J-STD-020)



Skyworks Green™ products are compliant with all applicable legislation and are halogen-free. For additional information, refer to *Skyworks Definition of Green™*, document number SQ04-0074.

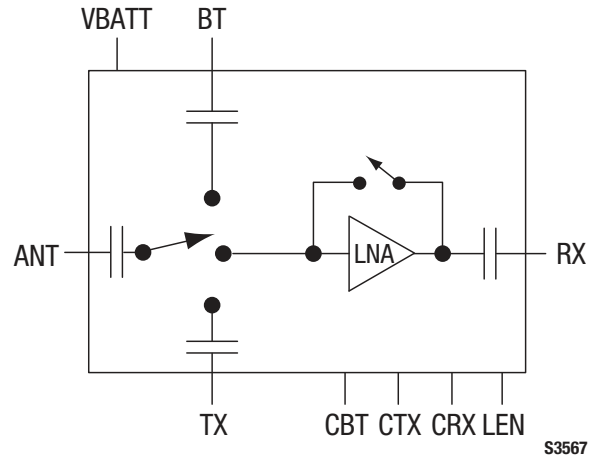


Figure 1. SKY85202-11 Block Diagram

Description

The SKY85202-11 integrates a single-pole, triple-throw (SP3T) switch and low-noise amplifier (LNA) with a bypass mode in an ultra-compact package. The device is capable of switching between WLAN receive and WLAN transmit.

The SKY85202-11 is provided as a small, 15-bump, 1.04 x 1.04 mm flip chip die package. A functional block diagram is shown in Figure 1. The pin configuration and package are shown in Figure 2. Signal pin assignments and functional pin descriptions are provided in Table 1.

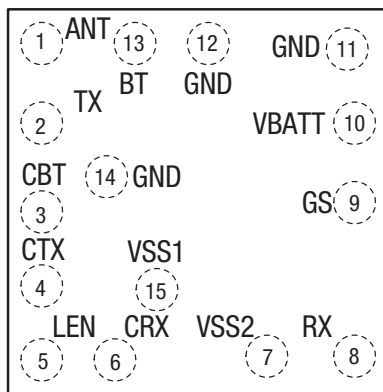


Figure 2. SKY85202-11 Pinout – 15-Bump Flip Chip Die (Top View, Bumps Down)

Table 1. SKY85202-11 Signal Descriptions

Pin	Name	Description	Pin	Name	Description
1	ANT	Antenna port	9	GS	Ground
2	TX	Transmit input	10	VBATT	Supply voltage
3	CBT	Control signal	11	GND	Ground
4	CTX	Control signal	12	GND	Ground
5	LEN	Control signal	13	BT	Bluetooth port
6	CRX	Control signal	14	GND	Ground
7	VSS2	Ground	15	VSS1	Ground
8	RX	LNA output			

Table 2. SKY85202-11 Absolute Maximum Ratings (Note 1)

Parameter	Symbol	Minimum	Maximum	Units
Supply voltage	VBAT, VCC	-0.3	+5.5	V
DC input on control pins	VIN	-0.3	+3.6	V
LNA input power (RXOUT terminated in 50 Ω match)	PIN	+5		dBm
Operating temperature	TA	-40	+85	°C
Storage temperature	TSTG	-40	+140	°C

Note 1: Exposure to maximum rating conditions for extended periods may reduce device reliability. There is no damage to device with only one parameter set at the limit and all other parameters set at or below their nominal value. Exceeding any of the limits listed here may result in permanent damage to the device.

CAUTION: Although this device is designed to be as robust as possible, electrostatic discharge (ESD) can damage this device. This device must be protected at all times from ESD. Static charges may easily produce potentials of several kilovolts on the human body or equipment, which can discharge without detection. Industry-standard ESD precautions should be used at all times.

Table 3. Recommended Operating Conditions

Parameter	Symbol	Minimum	Typical	Maximum	Units
Supply voltage relative to ground (= 0 V)	VDD	2.7	3.6	5.0	V
Control voltage:					
High	VIH	1.6		3.6	V
Low	VIL	0		0.4	V
Control current:					
High	IiH			5	μA
Low	IiL			1	μA
Operating temperature	TA	-40	+25	+85	°C

Electrical and Mechanical Specifications

The absolute maximum ratings of the SKY85202-11 are provided in Table 2. The recommended operating conditions are specified in Table 3, and electrical specifications are provided in Tables 4 through 7.

The state of the SKY85202-11 is determined by the logic provided in Table 8.

Table 4. SKY85202-11 Electrical Specifications: DC Characteristics (Note 1)
(V_{DD} = 3.6 V, T_A = +25 °C, All Unused Ports Terminated With 50 Ω, Unless Otherwise Noted)

Parameter	Symbol	Test Condition	Min	Typical	Max	Units
Supply current	I _{CC}	LNA enabled		10	13	mA
		Transmit mode		8	12	μA
		Bypass mode		8	12	μA
		All off		8	12	μA

Note 1: Performance is guaranteed only under the conditions listed in this table.

Table 5. SKY85202-11 Electrical Specifications: Transmit (ANT to TX) Characteristics (Note 1)
(V_{DD} = 3.6 V, T_A = +25 °C, All Unused Ports Terminated With 50 Ω, Unless Otherwise Noted)

Parameter	Symbol	Test Condition	Min	Typical	Max	Units
Frequency	f		2400		2500	MHz
Insertion loss	TX _{IL}	Insertion loss from TX input to ANT port		0.6	0.9	dB
1 dB Input Compression Point (TX port)	IP1dB		29	31		dBm
Transmit input return loss (TX port)	S ₁₁		18	20		dB
Output return loss (ANT port)	S ₂₂		15	20		dB
ANT to RX isolation, bypass (loopback) mode			40	43	46	dB

Note 1: Performance is guaranteed only under the conditions listed in this table.

Table 6. SKY85202-11 Electrical Specifications: Transmit (ANT to BT) Characteristics (Note 1)
(V_{DD} = 3.6 V, T_A = +25 °C, All Unused Ports Terminated With 50 Ω, Unless Otherwise Noted)

Parameter	Symbol	Test Condition	Min	Typical	Max	Units
Frequency	f		2400		2500	MHz
Insertion loss	BT _{IL}	Insertion loss from BT input to ANT port		0.6	0.9	dB
1 dB Input Compression Point (BT port)	IP1dB		29	31		dBm
Transmit input return loss (BT port)	S ₁₁		18	20		dB
Output return loss (ANT port)	S ₂₂		15	20		dB

Note 1: Performance is guaranteed only under the conditions listed in this table.

Table 7. SKY85202-11 Electrical Specifications: Receive (ANT to RX Port) Characteristics (Note 1)
(VDD = 3.6 V, TA = +25 °C, All Unused Ports Terminated With 50 Ω, Unless Otherwise Noted)

Parameter	Symbol	Test Condition	Min	Typical	Max	Units
Frequency	f		2400		2500	MHz
Small signal gain	S21	LNA enabled	+13	+14	+16	dB
		Bypass mode	-8	-7	-5.5	dB
LNA gain step	Gain_STEP	Gain step change between LNA normal and LNA bypass modes	19	21	23	dB
Gain flatness		Over 20 MHz			±0.25	dB
		Full band			±1.00	dB
Noise Figure	NF	LNA enabled		2	2.5	dB
		Bypass mode		7	8	dB
Third Order Input Intercept Point	IIP3	LNA enabled	+3	+5		dBm
		Bypass mode	+24	+27		dBm
Receive input return loss	S11			-12	-10	dB
Receive output return loss	S22			-18	-12	dB
Receive LNA ON to transmit (or BT) switching time	trX-TX(BT)	10% to 90%			500	ns
Transmit (or BT) to Receive LNA ON switching time	trX(BT)-RX	10% to 90%			700	ns
Receive Bypass to LNA ON switching time	toFF – toN	10% to 90%			700	ns
Receive LNA ON to Bypass switching time	toN – toFF	90% to 10%			200	ns

Note 1: Performance is guaranteed only under the conditions listed in this table.

Table 8. SKY85202-11 Control Logic (Note 1)

Mode	CBT (Bump 3)	CTX (Bump 4)	LEN (Bump 5)	CRX (Bump 6)
All off	0	0	0	0
WLAN receive LNA	0	0	1	1
WLAN receive bypass	0	0	0	1
Bluetooth	1	0	0	0
WLAN transmit	0	1	0	0

Note 1: “0” = 0 V to +0.4 V. “1” = +1.6 V to +3.6 V. Any state other than described in this table places the switch into an undefined state. An undefined state will not damage the device.

Evaluation Board Description

The SKY85202-11 Evaluation Board is used to test the performance of the SKY85202-11 LNA FEM. An Evaluation Board schematic diagram is provided in Figure 3. A photograph of the Evaluation Board is shown in Figure 4.

Evaluation Board Procedure

1. Connect the system ground to pin 1 of connector J5.
2. Apply 3.3 V to VBAT pin 20 of connector J5.
3. Refer to the Control Logic Table in Table 9 to set the device in the desired mode of operation.
4. Transmit performance is monitored by applying an RF signal to connector J3 (TX) and measuring the output power at the antenna port connector J2 (ANT).

Receive performance in either high gain or bypass mode is monitored by applying an RF signal to the antenna port connector J2 (ANT) and measuring the output power at the receive port connector J1 (RX).

Bluetooth performance is monitored by applying an RF signal to the J4 connector (BT) and measuring the output power at the antenna port connector J2 (ANT).

Evaluation Board Losses

The total track losses from the RF connectors of the Evaluation Board to the flip chip die bumps of the SKY85202-11 are:

ANT:	0.12 dB
TX:	0.11 dB
BT:	0.08 dB
RX:	0.08 dB

Package Dimensions

The PCB layout footprint for the SKY85202-11 is provided in Figure 5. The typical part marking is shown in Figure 6. Package dimensions for the 15-bump flip chip die are shown in Figure 7, and tape and reel dimensions are provided in Figure 8.

Package and Handling Information

Instructions on the shipping container label regarding exposure to moisture after the container seal is broken must be followed. Otherwise, problems related to moisture absorption may occur when the part is subjected to high temperature during solder assembly.

The SKY85202-11 is rated to Moisture Sensitivity Level 1 (MSL1) at 260 °C. It can be used for lead or lead-free soldering

Care must be taken when attaching this product, whether it is done manually or in a production solder reflow environment. Production quantities of this product are shipped in a standard tape and reel format.

Pad Coordinates

The SKY85202-11 pad coordinates are provided in Table 9 (also refer to the pinout diagram in Figure 2). The origin of the coordinates (i.e., $X = 0$, $Y = 0$) is located at the center of the SKY85202-11 package. Sense is top view through package (PCB footprint).

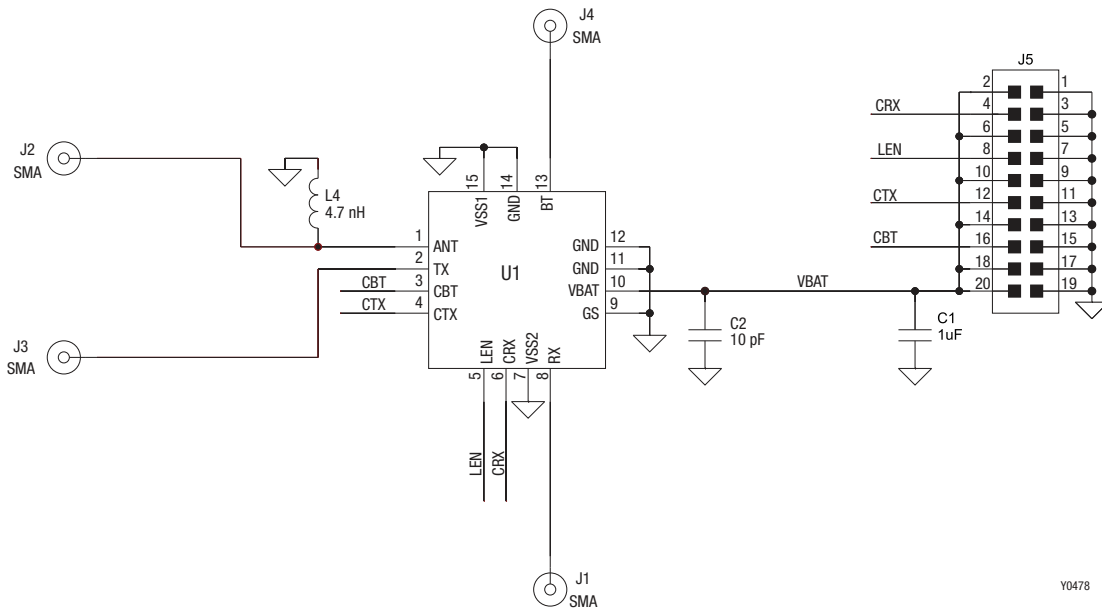
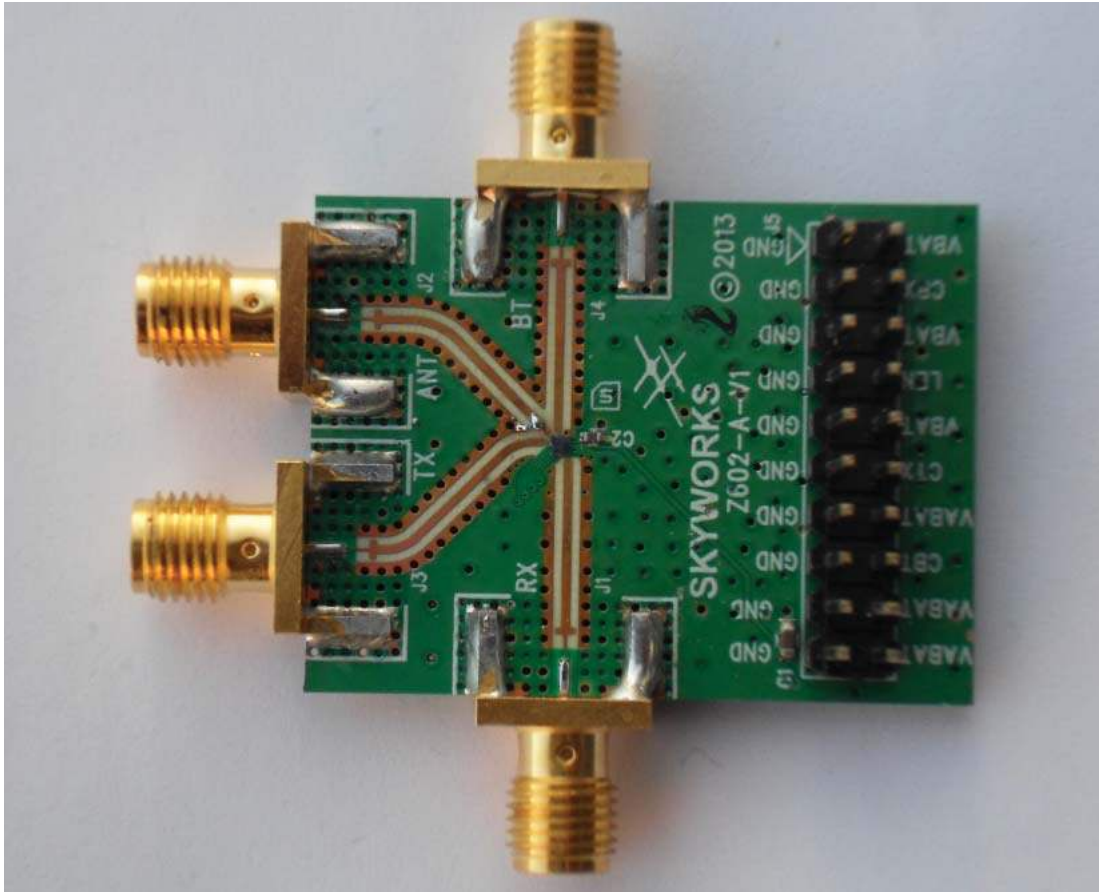


Figure 3. SKY85202-11 Evaluation Board Schematic

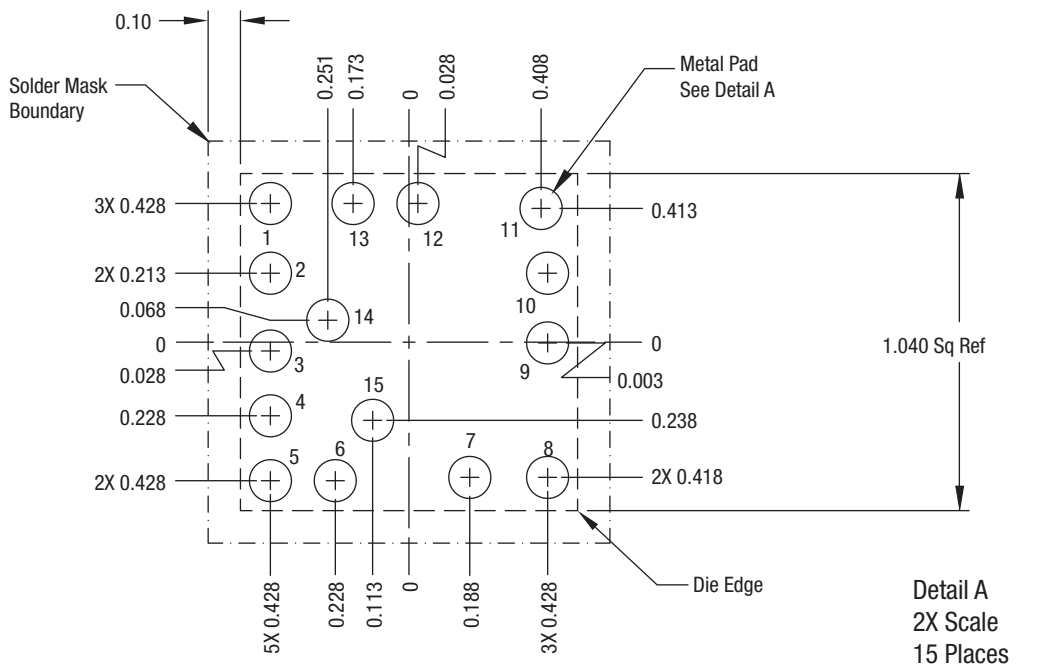
Table 8. SKY85202-11 Bump Pad Coordinates

Bump Number	Signal	Bump Coordinates (Top View)	
		X (μm)	Y (μm)
1	ANT	-428	+428
2	TX	-428	+213
3	CBT	-428	-28
4	CTX	-428	-228
5	LEN	-428	-428
6	CRX	-228	-428
7	VSS2	+188	-418
8	RX	+428	-418
9	GS	+428	-3
10	VBATT	+428	+213
11	GND	+408	+413
12	GND	+28	+428
13	BT	-173	+428
14	GND	-251	+68
15	VSS1	-113	-238



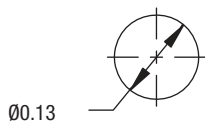
Y0479

Figure 4. SKY85202-11 Evaluation Board



Notes:

1. All measurements are in millimeters.
2. Dimensions and tolerances according to ASME Y14.5M-1994.
3. Unless specified, dimensions are symmetrical about center lines.
4. Unless otherwise specified, the following values apply:
 Decimal Tolerance: Angular Tolerance:
 X.X (1 place) ± 0.1 mm ±1/2°
 X.XX (2 places) ± 0.05 mm
 X.XXX (3 places) ± 0.025 mm



Y0480

Figure 5. SKY85202-11 PCB Footprint

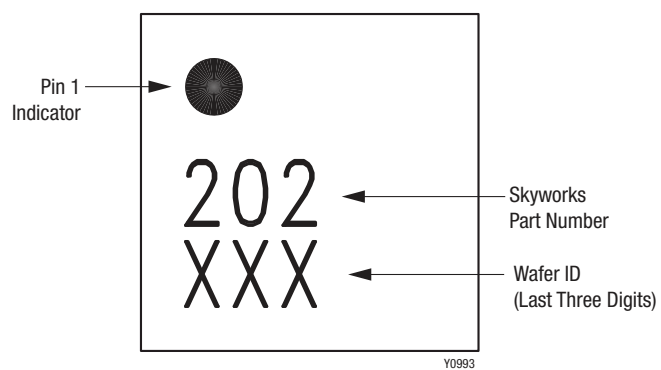
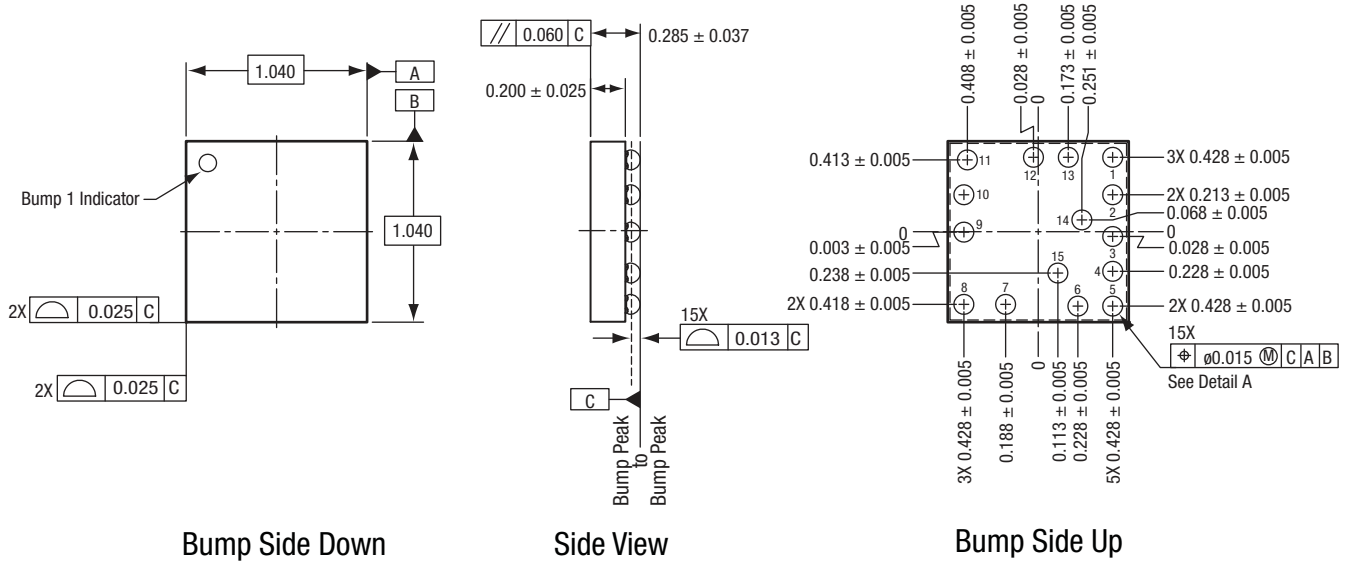
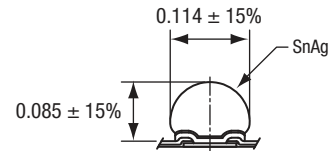


Figure 6. Typical Part Marking



Notes:

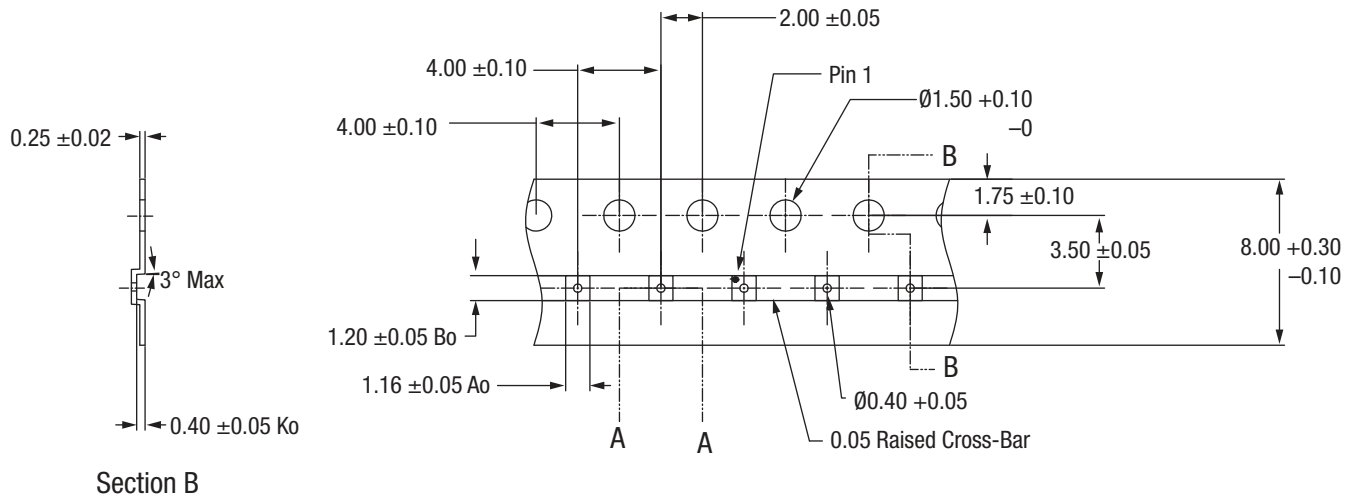
1. All measurements are in millimeters.
2. Dimensions and tolerances according to ASME Y14.5M-1994.
3. Unless otherwise specified, the following values apply:
 Decimal Tolerance: Angular Tolerance:
 X.X (1 place) ± 0.1 mm ±1/2°
 X.XX (2 places) ± 0.05 mm
 X.XXX (3 places) ± 0.025 mm
4. Unless specified, dimensions are symmetrical about center lines.



Detail A
Scale: 4X
15 Places

Y0994

Figure 7. SKY85202-11 15-Bump Flip Chip Die Package Dimensions



Notes:

1. Carrier tape: black conductive polycarbonate.
2. Cover tape material: transparent conductive.
3. All dimensions are in millimeters.
4. 10-sprocket hole pitch cumulative tolerance on tape: ± 0.20 mm.
5. Ao and Bo measurement point to be 0.30 mm from bottom of pocket.
6. Pocket position relative to sprocket hole measured as true position of pocket.

Tolerances:

Decimals: $.x = \pm 0.15$ Angles: $\pm 1^\circ$
 .xx = ± 0.10



Section A

Y0483

Figure 8. SKY85202-11 Tape and Reel Dimensions

Ordering Information

Model Name	Manufacturing Part Number	Evaluation Board Part Number
SKY85202-11: 2.4 GHz, 802.11ac Switch/LNA Front-End	SKY85202-11	SKY85202-11-EVB

Copyright © 2013-2014 Skyworks Solutions, Inc. All Rights Reserved.

Information in this document is provided in connection with Skyworks Solutions, Inc. ("Skyworks") products or services. These materials, including the information contained herein, are provided by Skyworks as a service to its customers and may be used for informational purposes only by the customer. Skyworks assumes no responsibility for errors or omissions in these materials or the information contained herein. Skyworks may change its documentation, products, services, specifications or product descriptions at any time, without notice. Skyworks makes no commitment to update the materials or information and shall have no responsibility whatsoever for conflicts, incompatibilities, or other difficulties arising from any future changes.

No license, whether express, implied, by estoppel or otherwise, is granted to any intellectual property rights by this document. Skyworks assumes no liability for any materials, products or information provided hereunder, including the sale, distribution, reproduction or use of Skyworks products, information or materials, except as may be provided in Skyworks Terms and Conditions of Sale.

THE MATERIALS, PRODUCTS AND INFORMATION ARE PROVIDED "AS IS" WITHOUT WARRANTY OF ANY KIND, WHETHER EXPRESS, IMPLIED, STATUTORY, OR OTHERWISE, INCLUDING FITNESS FOR A PARTICULAR PURPOSE OR USE, MERCHANTABILITY, PERFORMANCE, QUALITY OR NON-INFRINGEMENT OF ANY INTELLECTUAL PROPERTY RIGHT; ALL SUCH WARRANTIES ARE HEREBY EXPRESSLY DISCLAIMED. SKYWORKS DOES NOT WARRANT THE ACCURACY OR COMPLETENESS OF THE INFORMATION, TEXT, GRAPHICS OR OTHER ITEMS CONTAINED WITHIN THESE MATERIALS. SKYWORKS SHALL NOT BE LIABLE FOR ANY DAMAGES, INCLUDING BUT NOT LIMITED TO ANY SPECIAL, INDIRECT, INCIDENTAL, STATUTORY, OR CONSEQUENTIAL DAMAGES, INCLUDING WITHOUT LIMITATION, LOST REVENUES OR LOST PROFITS THAT MAY RESULT FROM THE USE OF THE MATERIALS OR INFORMATION, WHETHER OR NOT THE RECIPIENT OF MATERIALS HAS BEEN ADVISED OF THE POSSIBILITY OF SUCH DAMAGE.

Skyworks products are not intended for use in medical, lifesaving or life-sustaining applications, or other equipment in which the failure of the Skyworks products could lead to personal injury, death, physical or environmental damage. Skyworks customers using or selling Skyworks products for use in such applications do so at their own risk and agree to fully indemnify Skyworks for any damages resulting from such improper use or sale.

Customers are responsible for their products and applications using Skyworks products, which may deviate from published specifications as a result of design defects, errors, or operation of products outside of published parameters or design specifications. Customers should include design and operating safeguards to minimize these and other risks. Skyworks assumes no liability for applications assistance, customer product design, or damage to any equipment resulting from the use of Skyworks products outside of stated published specifications or parameters.

Skyworks and the Skyworks symbol are trademarks or registered trademarks of Skyworks Solutions, Inc., in the United States and other countries. Third-party brands and names are for identification purposes only, and are the property of their respective owners. Additional information, including relevant terms and conditions, posted at www.skyworksinc.com, are incorporated by reference.