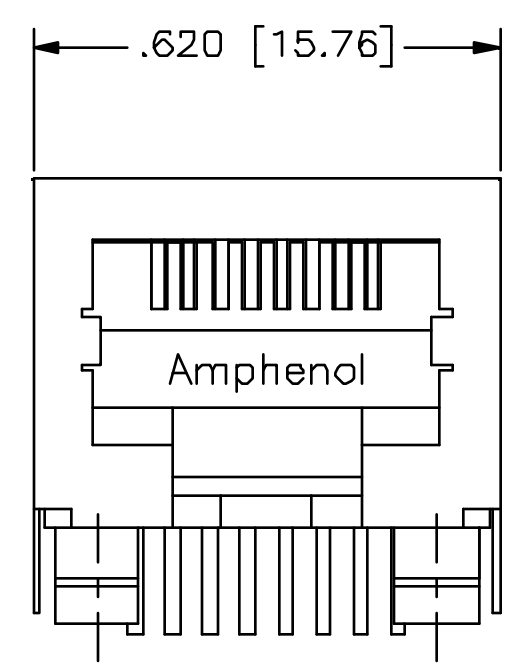
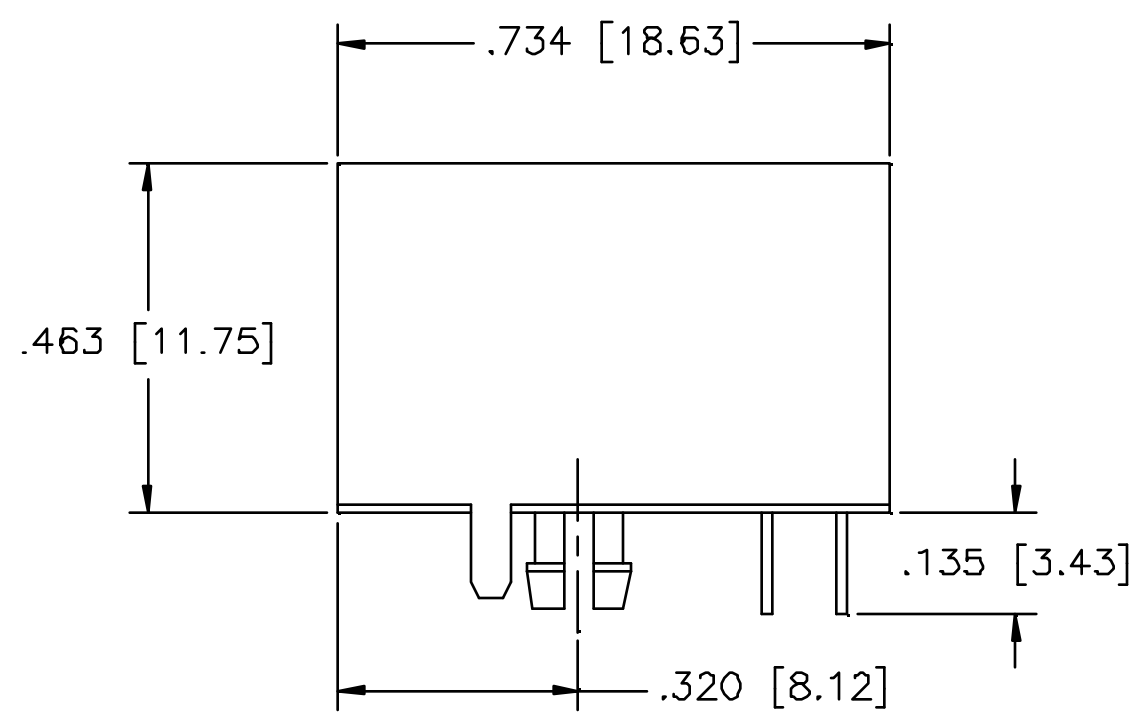


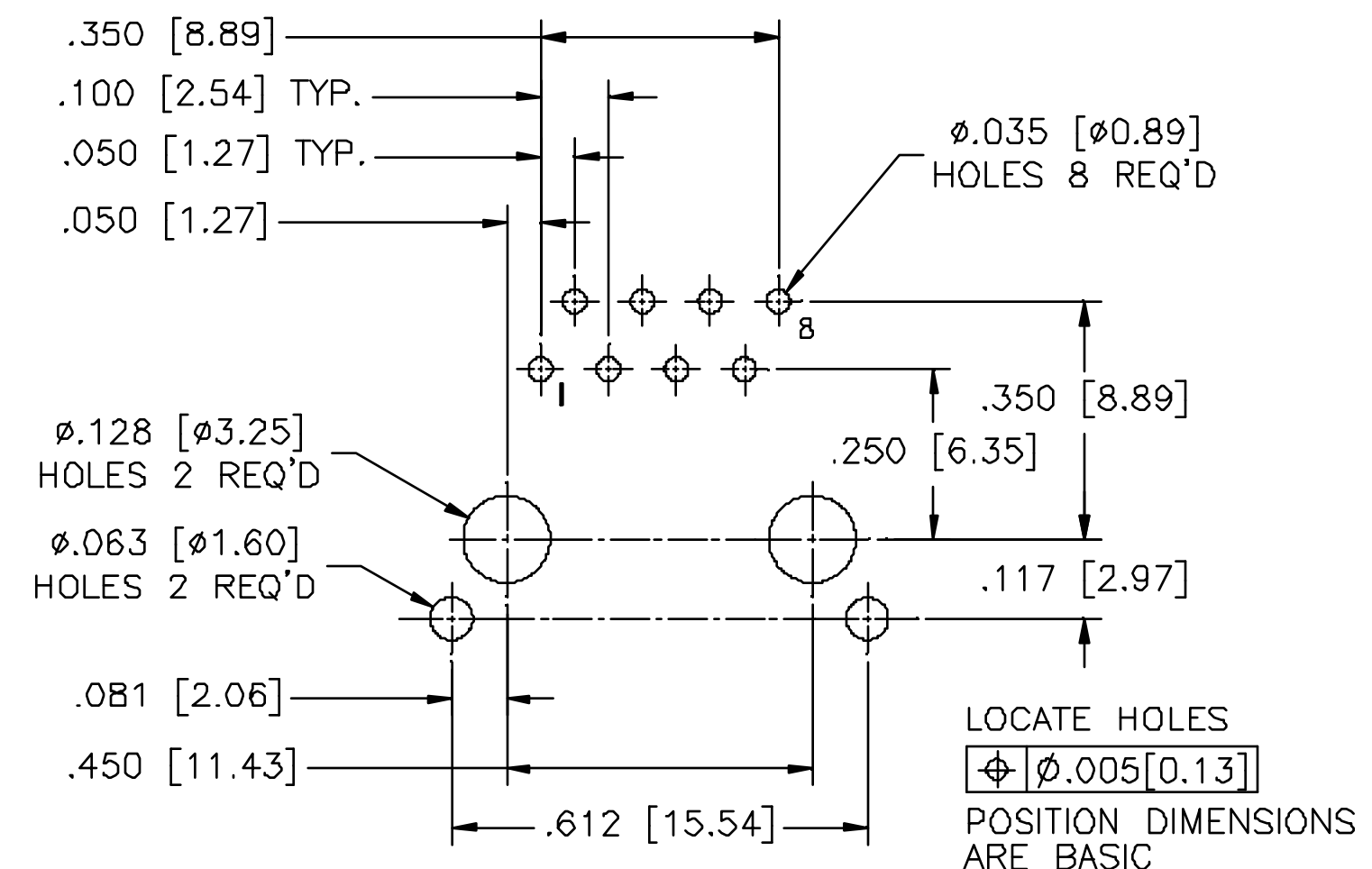
REVISIONS				
SYM	ZONE	ECN, ERN NO.	DATE	APPRD.
A		PROPOSAL	25/01/06	L.C.
B		CHANGE THE NOTE	FEB.03/2016	L.C.



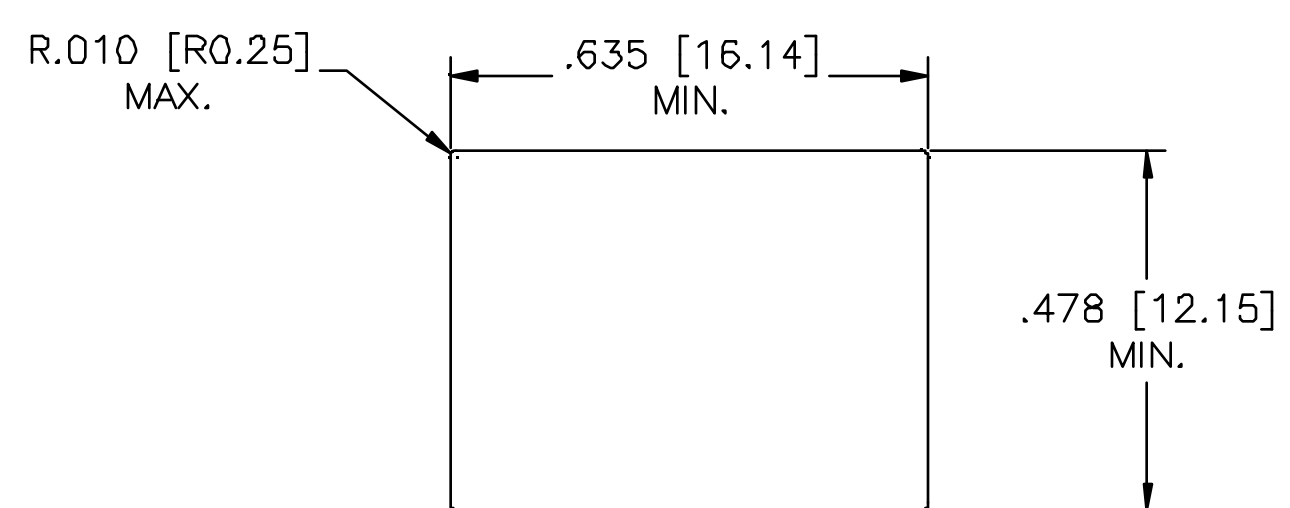
FRONT VIEW



SIDE VIEW



RECOMMENDED P.C.B. LAYOUT  
(COMPONENT SIDE OF BOARD)



RECOMMENDED PANEL CUTOUT

**MATERIALS:**

PLASTIC HOUSING: ENGINEERING THERMOPLASTIC  
FLAMMABILITY RATING UL94V-0.

**CONTACTS:**

PHOSPHOR BRONZE  
PLATING: REFER PART NUMBER FOR GOLD THICKNESS ON MATING SURFACES.  
50 μ" [1.27 MICRONS] MIN. NICKEL UNDERPLATE.  
GOLD FLASH ON CONTACT SOLDERED TAILS.

**SHIELD:**

COPPER ALLOY  
PLATING: NICKEL

PART NUMBER: RJE05-188-1X10

- GOLD PLATING**
- 1 = 6 μINCH
  - 2 = 15 μINCH
  - 3 = 30 μINCH
  - 4 = 50 μINCH

DRAWN <i>Chigow</i>	DATE 25/01/06
DESIGNED	
CHECKED <i>LCHAN</i>	DATE 25/01/06
I. E. APPRD.	
Q. A. APPRD.	
DWG. APPRD.	
ENG. REL. NO.	
REF.	
DIMENSIONS ARE IN <i>mm</i>	CODE ID. NO. 03554

**Amphenol Canada Corp.**

TITLE RJE05 SERIES MODULAR JACK, 8 POSITIONS, 8 CONTACTS, SHIELDED, ULTRA LOW PROFILE-RoHS COMPLIANT

DWG	DRAWING NO.	REV.
	P-RJE05-188-1X10	B
SCALE	WT. -----	SURF. -----
		SHEET 1 OF 1

THIS DOCUMENT CONTAINS PROPRIETARY INFORMATION AND SUCH INFORMATION MAY NOT BE DISCLOSED TO OTHERS FOR ANY PURPOSE OR USED FOR MANUFACTURING PURPOSES WITHOUT WRITTEN PERMISSION FROM AMPHENOL CANADA CORP.