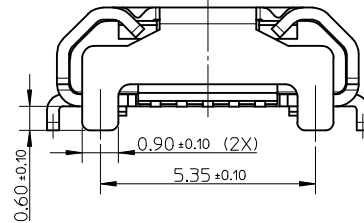
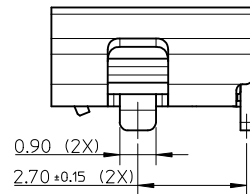
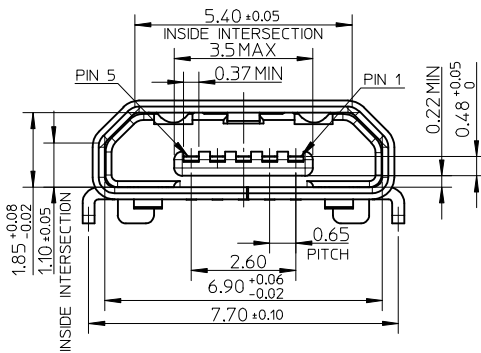


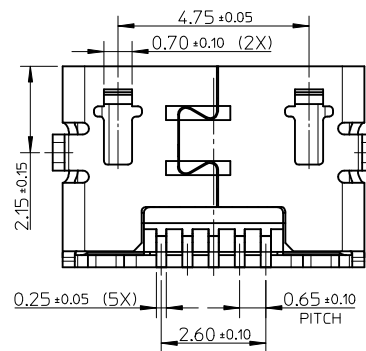
RECOMMENDED P.C.B. PATTERN LAYOUT  
GENERAL TOLERANCE: ±0.05



NOTES:

- MATERIAL:  
HOUSING: LCP, BLACK, UL94V-0;  
TERMINAL: COPPER ALLOY, THICKNESS: 0.15mm;  
SHELL: STAINLESS STEEL, THICKNESS: 0.30mm.
- PLATING:  
TERMINAL:  
CONTACT AREA: GOLD FLASH OVER 0.75 MICRON MINIMUM Pd/Ni;  
SOLDER TAIL AREA: GOLD FLASH;  
UNDER PLATING: NICKEL 2.0 MICRON MINIMUM.  
SHELL: 1.27 MICRON MINIMUM NICKEL UNDER PLATING,  
2.0 MICRON MINIMUM MATTE TIN PLATING OVER NICKEL.
- TAIL & NAIL COPLANARITY 0.08mm MAXIMUM.
- PRODUCT SPECIFICATION: PS-47642-001.
- PACKAGING SPECIFICATION: PK-105410-001.
- PRODUCT COMPLIANT TO RoHS DIRECTIVE 2011/65/EU AND ELV 2000/53/EC.

5	GND
4	ID
3	D+
2	D-
1	VBUS
PIN	NAME
PIN ASSIGNMENT	



NEW RELEASE EC NO: SHZ016-0113 DRWN:XQZHANG CHKD:XQZHANG APPR:AYIN	2015/10/14	QUALITY SYMBOLS F <sub>A</sub> =0 F <sub>B</sub> =0 F <sub>C</sub> =0
	2015/10/14	
	2015/11/17	
	REV	

GENERAL TOLERANCES (UNLESS SPECIFIED)	mm	INCH
	4 PLACES ± ---	± ---
DRAFT WHERE APPLICABLE MUST REMAIN WITHIN DIMENSIONS	3 PLACES ± ---	± ---
	2 PLACES ± 0.15	± ---
ANGULAR ± 3 °	1 PLACE ± 0.25	± ---
	0 PLACE ± ---	± ---

DIMENSION STYLE MM ONLY		SCALE 1:1	DESIGN UNITS METRIC	THIRD ANGLE PROJECTION
DRAWN BY XQZHANG	DATE 2014/12/11	TITLE SALES DRAWING FOR USB MICRO-B, TOP MOUNT TYPE		
CHECKED BY XQZHANG	DATE 2014/12/11			
APPROVED BY AYIN	DATE 2015/11/17			
MATERIAL NO. 105410-1001		DOCUMENT NO. SD-105410-101	SHEET NO. 1 OF 1	

MATERIAL NO. 105410-1001		DOCUMENT NO. SD-105410-101	SHEET NO. 1 OF 1
THIS DRAWING CONTAINS INFORMATION THAT IS PROPRIETARY TO MOLEX INCORPORATED AND SHOULD NOT BE USED WITHOUT WRITTEN PERMISSION			