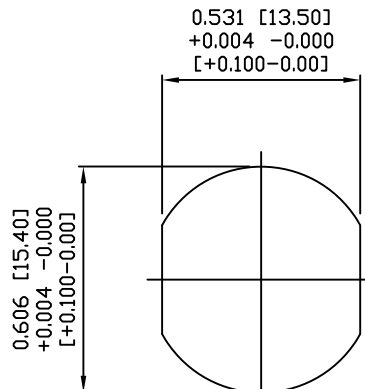
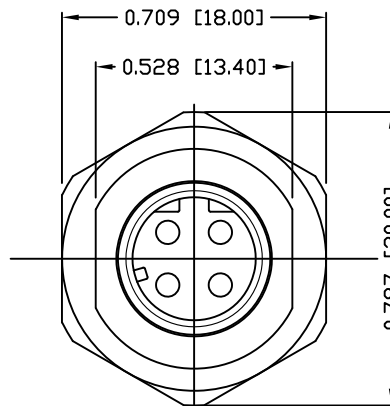
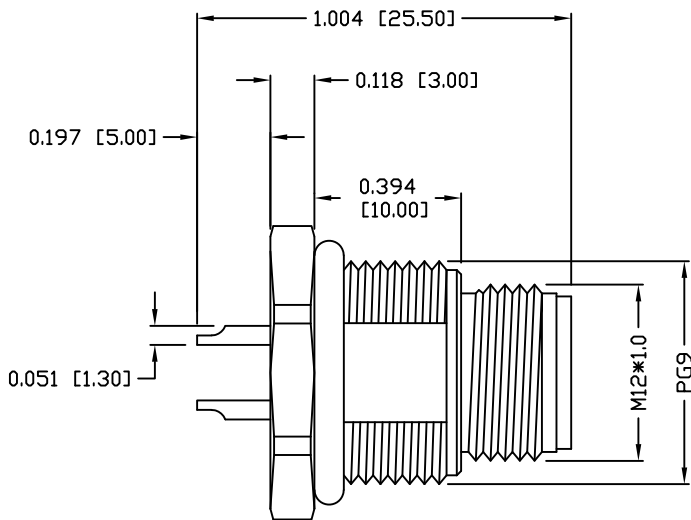


NUT



PANEL CUT-OUT



NOTE:

MATERIAL	
HOUSING:	PBT UL94V-0, BLACK
CONTACT:	BRASS
SHELL:	BRASS
NUT:	BRASS
O-RING:	EPDM, BLACK
FINISH	
CONTACT:	GOLD PLATED OVER 50u" NICKEL
SHELL:	NICKEL PLATED 60u" TO 100u"
NUT:	NICKEL PLATED 60u" TO 100u"
ELECTRICAL:	
RATED CURRENT:	4A
RATED VOLTAGE:	250V
INSULATION RESISTANCE:	100 MΩhms MIN.
CONTACT RESISTANCE:	10 mΩhms MAX.
WATER PROOF:	IP67
ENVIRONMENT:	
OPERATION TEMPERATURE:	-40°C TO +85°C
MAX WIRE AWG:	22

859RD04-103R00Y

3 = BRASS/NICKEL SHELL & NUT
S = STAINLESS STEEL SHELL & NUT

1 = GOLD FLASH
4 = 10u" GOLD

RoHS COMPLIANT

UNITS = INCHES [MM]

DO NOT SCALE FROM DRAWING



THESE DRAWINGS AND SPECIFICATIONS ARE THE PROPERTY OF NorComp AND SHALL NOT BE REPRODUCED, COPIED OR USED AS THE BASIS FOR THE MANUFACTURE OR SALE OF APPARATUS WITHOUT WRITTEN PERMISSION.

DRAWN: M. SIGMON

DATE: 07-26-16

NorComp

SCALE: NTS	SHEET 1	OF 1	REV 3
---------------	------------	---------	----------

DWG NO. 859RD04-103R00Y