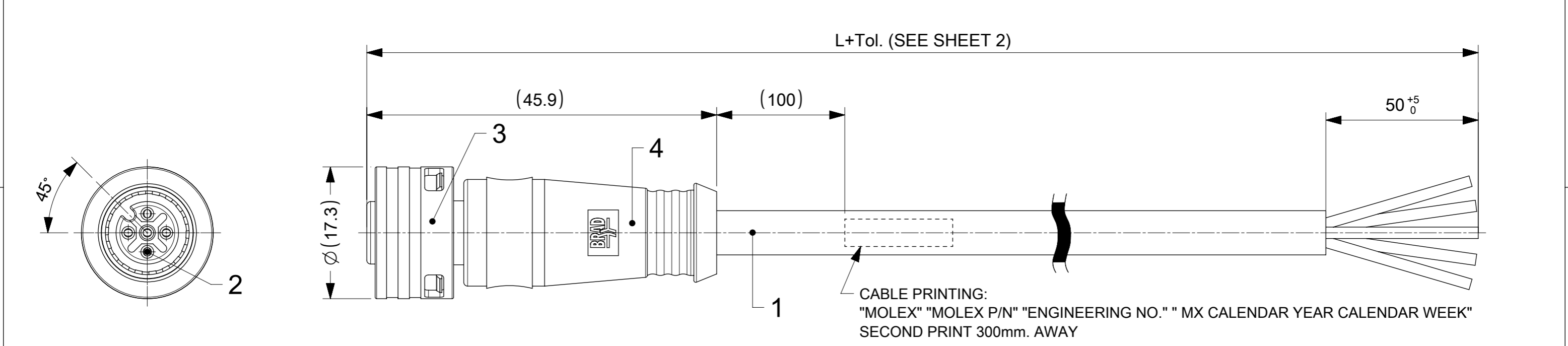
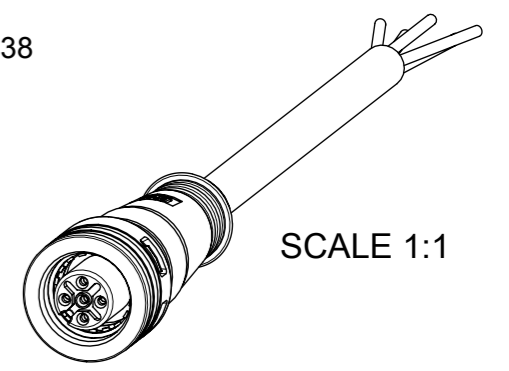


CODING ACCORDING TO IEC 61076-2-101



- NOTES:
- PARTS ACC. TO PRODUCT SPECIFICATION 1204000001 PS P10 AND IN STYLE OF IEC-61076-2-010
 - BOM & PART LIST - SEE SHEET 2
 - RATED VOLTAGE :
3, 4 CONTACTS: 250V AC OR DC
5 CONTACTS: 60V AC OR DC
RATED CURRENT:
3, 4, 5 CONTACTS: 4A, DERATING HAS TO BE CONSIDERED
OVERVOLTAGE CATEGORY: 3
POLLUTION DEGREE: 3, ONLY IN MATED AND LOCKED CONDITION
 - PROTECTION CLASS: IP 67, ONLY IN MATED AND LOCKED CONDITION
 - TEMPERATURE RANGE:
TEMPERATURE PLUG/SOCKET: -40 °C TO +85 °C
TEMPERATURE CABLE: SEE CABLE LIST
 - MECHANICAL OPERATIONS: 100 CYCLES
 - MATES WITH ULTRA-LOCK M12 MALE RECEPTACLES
 - PACKAGING: THE CORDSETS ARE SINGLE PACKED IN PLASTIC BAGS AND DELIVERED IN CARTON BOXES
 - UL CSA FILE REGISTRATION PENDING

FOR EXAMPLE: MOLEX 1204000001 Y03000E03M010 MX2038



DOCUMENT STATUS	P1	RELEASE DATE	2023/01/31	08:21:28
-----------------	----	--------------	------------	----------

FUNCTIONAL SYMBOLS	THIS DRAWING CONTAINS INFORMATION THAT IS PROPRIETARY TO MOLEX ELECTRONIC TECHNOLOGIES, LLC AND SHOULD NOT BE USED WITHOUT WRITTEN PERMISSION	CURRENT REV DESC: NOTES AND CABLE LIST UPDATED		molex																																			
	<table border="1"> <tr> <th>FUNCTIONAL SYMBOLS</th> <th>DIMENSION UNITS</th> <th>SCALE</th> </tr> <tr> <td>∇/A = 0</td> <td>mm</td> <td>2:1</td> </tr> <tr> <td>∇/E = 0</td> <td colspan="2">GENERAL TOLERANCES (UNLESS SPECIFIED)</td> </tr> <tr> <td>∇/V = 0</td> <td colspan="2">ANGULAR TOL ± 1.0 °</td> </tr> <tr> <td></td> <td>4 PLACES</td> <td>±</td> </tr> <tr> <td></td> <td>3 PLACES</td> <td>±</td> </tr> <tr> <td></td> <td>2 PLACES</td> <td>± 0.05</td> </tr> <tr> <td></td> <td>1 PLACE</td> <td>± 0.3</td> </tr> <tr> <td></td> <td>0 PLACES</td> <td>± 0.5</td> </tr> </table>	FUNCTIONAL SYMBOLS	DIMENSION UNITS			SCALE	∇/A = 0	mm	2:1	∇/E = 0	GENERAL TOLERANCES (UNLESS SPECIFIED)		∇/V = 0	ANGULAR TOL ± 1.0 °			4 PLACES	±		3 PLACES	±		2 PLACES	± 0.05		1 PLACE	± 0.3		0 PLACES	± 0.5	<table border="1"> <tr> <td>EC NO: 736602</td> <td>2023/01/23</td> </tr> <tr> <td>DRWN: RSCHIEBER</td> <td>2023/01/31</td> </tr> <tr> <td>CHK'D: RSILLER</td> <td>2023/01/31</td> </tr> <tr> <td>APPR: RSILLER</td> <td>2023/01/31</td> </tr> </table>		EC NO: 736602	2023/01/23	DRWN: RSCHIEBER	2023/01/31	CHK'D: RSILLER	2023/01/31	APPR: RSILLER
FUNCTIONAL SYMBOLS	DIMENSION UNITS	SCALE																																					
∇/A = 0	mm	2:1																																					
∇/E = 0	GENERAL TOLERANCES (UNLESS SPECIFIED)																																						
∇/V = 0	ANGULAR TOL ± 1.0 °																																						
	4 PLACES	±																																					
	3 PLACES	±																																					
	2 PLACES	± 0.05																																					
	1 PLACE	± 0.3																																					
	0 PLACES	± 0.5																																					
EC NO: 736602	2023/01/23																																						
DRWN: RSCHIEBER	2023/01/31																																						
CHK'D: RSILLER	2023/01/31																																						
APPR: RSILLER	2023/01/31																																						
PRODUCT CUSTOMER DRAWING				DOCUMENT NUMBER																																			
INITIAL REVISION:				DOC TYPE																																			
DRWN: RSCHIEBER				DOC PART																																			
APPR: RSILLER				REVISION																																			
DRAFT WHERE APPLICABLE MUST REMAIN WITHIN DIMENSIONS				1204000025																																			
THIRD ANGLE PROJECTION				PSD 000 A3																																			
DRAWING				MATERIAL NUMBER																																			
A3-SIZE				CUSTOMER																																			
SERIES				SHEET NUMBER																																			
120400				SEE SHEET 2																																			
GENERAL MARKET				1 OF 2																																			

10 9 8 7 6 5 4 3 2 1

PART LIST

MOLEX NO.	ENGINEERING NO.	LENGHT (MM)
120400001	Y03000E03M010	1000
120400002	Y03000E03M020	2000
120400003	Y03000E03M050	5000
120400004	Y03000E03M100	10000
120400005	Y03000B30M010	1000
120400006	Y03000B30M020	2000
120400007	Y03000B30M050	5000
120400008	Y03000B30M100	10000
120400009	Y03000H09M010	1000
120400010	Y03000H09M020	2000
120400011	Y03000H09M050	5000
120400012	Y03000H09M100	10000
120400013	Y04000E03M010	1000
120400014	Y04000E03M020	2000
120400015	Y04000E03M050	5000
120400016	Y04000E03M100	10000
120400017	Y04000B30M010	1000
120400018	Y04000B30M020	2000
120400019	Y04000B30M050	5000
120400020	Y04000B30M100	10000
120400021	Y04000H09M010	1000
120400022	Y04000H09M020	2000
120400023	Y04000H09M050	5000

MOLEX NO.	ENGINEERING NO.	LENGHT (MM)
120400024	Y04000H09M100	10000
120400025	Y05000E03M010	1000
120400026	Y05000E03M020	2000
120400027	Y05000E03M050	5000
120400028	Y05000E03M100	10000
120400029	Y05000B30M010	1000
120400030	Y05000B30M020	2000
120400031	Y05000B30M050	5000
120400032	Y05000B30M100	10000
120400033	Y05000H09M010	1000
120400034	Y05000H09M020	2000
120400035	Y05000H09M050	5000
120400036	Y05000H09M100	10000

MOLEX NO.	ENGINEERING NO.	LENGHT (MM)

CABLE LIST

3P	4P	5P	CABLE TYPE	DESCRIPTION	MATERIAL	FINISH/COLOR	FIXED INSTALLATION *		FLEXIBLE INSTALLATION **		DRAG CHAIN	
							MIN.	MAX.	MIN.	MAX.	MIN.	MAX.
X			E03	CABLE PVC, BLK 3X0.34MM D4.9	PVC	BLACK	-30°C	+80°C	-10°C	+80°C	NOT SUITABLE	
	X		CABLE PVC, BLK 4X0.34MM D5.4									
		X	CABLE PVC, BLK 5X0.34MM(UL/CSA) D5.8									
X			B30	CABLE 3X0.34 TPU BK D4.80 TPE UNSH DCS	PUR WSOR	BLACK	-40°C	+90°C	-25°C	+80°C	-5°C	+60°C
	X		CABLE 4X0.34 TPU BK D5.10 TPE UNSH DCS									
		X	CABLE 5X0.34 TPU BK D5.50 TPE UNSH DCS									
X			H09	CABLE PUR;BLK 3X0.34MM-LSOH;UL D4.4	PUR-LS0H	BLACK	-40°C	+80°C	-25°C	+80°C	+5°C	+60°C
	X		CABLE PUR;BLK 4X0.34MM-LSOH;UL D4.7									
		X	CABLE PUR BLK 5X0.34MM LSZH UL D5.0									

CABLE LENGTH TOLERANCES	
LENGTH	TOLERANCE
0m-1m	+40 mm
>1m-5m	+60 mm
>5m-10m	+80 mm
>10m-20m	+140 mm
>20m-30m	+160 mm
>30m	+1% length

* FIXED POSITION WITHOUT ACCIDENTAL CRUSHING OF VIBRATION.
 ** FREE MOTION WITHOUT PERIODIC RECURRENCE OR FORCED GUIDANCE.

BILL OF MATERIAL:

3P	4P	5P	ITEM	QTY	DESCRIPTION	MATERIAL	FINISH/COLOR
X	X	X	1	-	CABLE	SEE CABLE LIST	SEE CABLE LIST
X	X	X	2	3/4/5	CONTACT 10 FE STA AU CR WRA 0.14-0.50	BRASS	GOLD OVER NICKEL PLATED
X			3	1	PLG U12 3P AC FE PA UNSH	-	-
	X				PLG U12 4P AC FE PA UNSH		
		X			PLG U12 5P AC FE PA UNSH		
X	X	X	4	1	OVERMOLD	TPC	SEE MATRIX
IF "H" IS IN MATRIX-END			-	2	I/D CARRIER DIA 4-7MMX30MM	PVC	TRANSPARENT

FUNCTIONAL SYMBOLS	THIS DRAWING CONTAINS INFORMATION THAT IS PROPRIETARY TO MOLEX ELECTRONIC TECHNOLOGIES, LLC AND SHOULD NOT BE USED WITHOUT WRITTEN PERMISSION		CURRENT REV DESC: NOTES AND CABLE LIST UPDATED			
	△ \sqrt{A} = 0	DIMENSION UNITS mm	SCALE 1:1	molex CSE U12 3-5P AC FE STR XM SE UNSH BK PRODUCT CUSTOMER DRAWING	EC NO: 736602	
	△ \sqrt{E} = 0	GENERAL TOLERANCES (UNLESS SPECIFIED)			DRWN: RSCHIEBER	2023/01/23
	△ \sqrt{F} = 0	ANGULAR TOL ± 1.0°			CHK'D: RSILLER	2023/01/31
DIVISIONAL SYMBOLS	4 PLACES ±		APPR: RSILLER		2023/01/31	
	3 PLACES ±	INITIAL REVISION:		DRWN: RSCHIEBER	2020/09/15	
	2 PLACES ± 0.05	DRWN: RSCHIEBER		APPR: RSILLER	2020/09/29	
	1 PLACE ± 0.3	DRWN: RSCHIEBER		APPR: RSILLER		
	0 PLACES ± 0.5	DRAFT WHERE APPLICABLE MUST REMAIN WITHIN DIMENSIONS		THIRD ANGLE PROJECTION	DRAWING SERIES	
		A3-SIZE		120400	MATERIAL NUMBER	
		SEE PART LIST		GENERAL MARKET	SHEET NUMBER	
		2 OF 2				