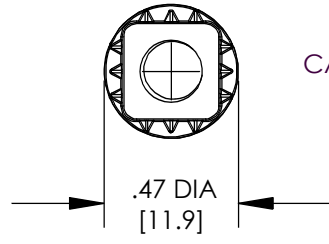
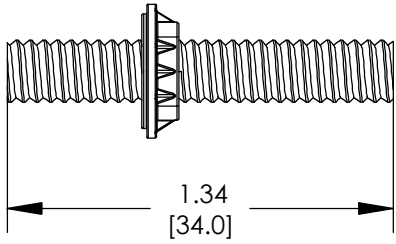
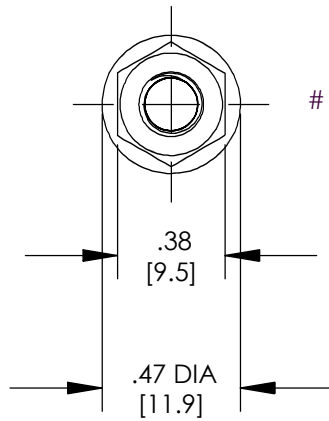


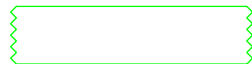
THIS COPY IS PROVIDED ON A RESTRICTED BASIS AND IS NOT TO BE USED IN ANY WAY DETRIMENTAL TO THE INTERESTS OF PANDUIT CORP.



CAGE NUT BONDING STUD (QTY. 25)



#12-24 BONDING NUT (QTY. 50)



5cc TUBE ANTI-OXIDANT PASTE (QTY. 1)

NOTES:

1. CAGE NUT BONDING STUD KIT
PART NUMBER: CGNBSK
2. PACKAGING: 4 KITS PER BOX
3. DIMENSIONS IN PARENTHESIS ARE
MILLIMETERS.
4. ALL COMPONENTS THAT MAKE UP THIS KIT
ARE RoHS COMPLIANT.

C41698_00

PANDUIT CORP. TINLEY PARK, ILLINOIS

CAGE NUT BONDING STUD KIT
(CGNBSK)
CUSTOMER DRAWING

| 00 | 2/07 | JHNU | JMAR | DRAWING RELEASED | PC00674 | | | | | | | | | | | | | | | |
|-----|------|------|------|------------------|---------|----|------|----------|-------|-------|-----------------------|--|--|--|--|--|--|--|--|--|
| REV | DATE | BY | CHK | DESCRIPTION | ECN | PM | CUST | DRAWN BY | CHK'D | SCALE | DRAWING NO / CAD FILE | | | | | | | | | |
| | | | | | | | | JHNU | | NONE | C41698 | | | | | | | | | |