

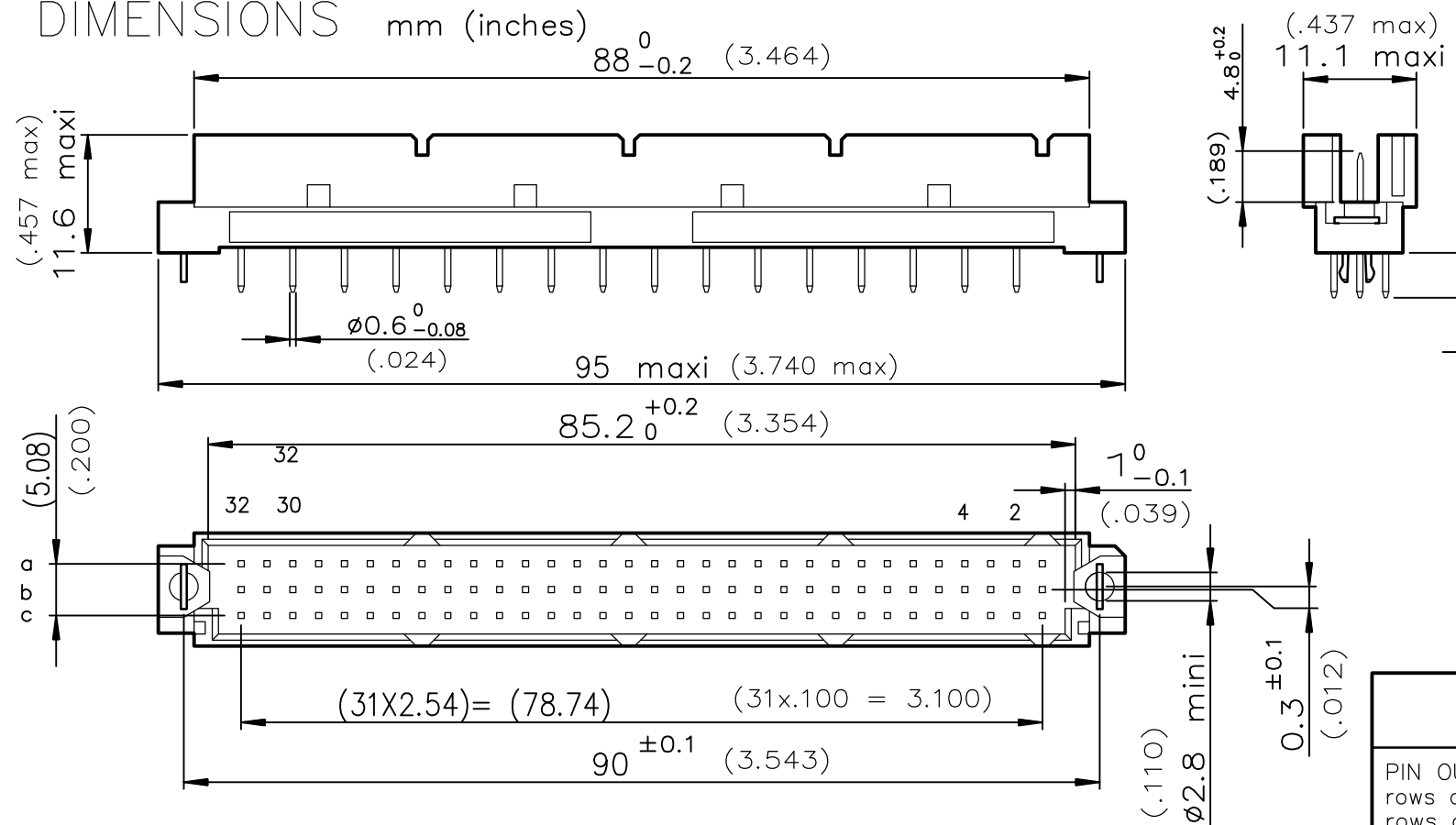
1

2

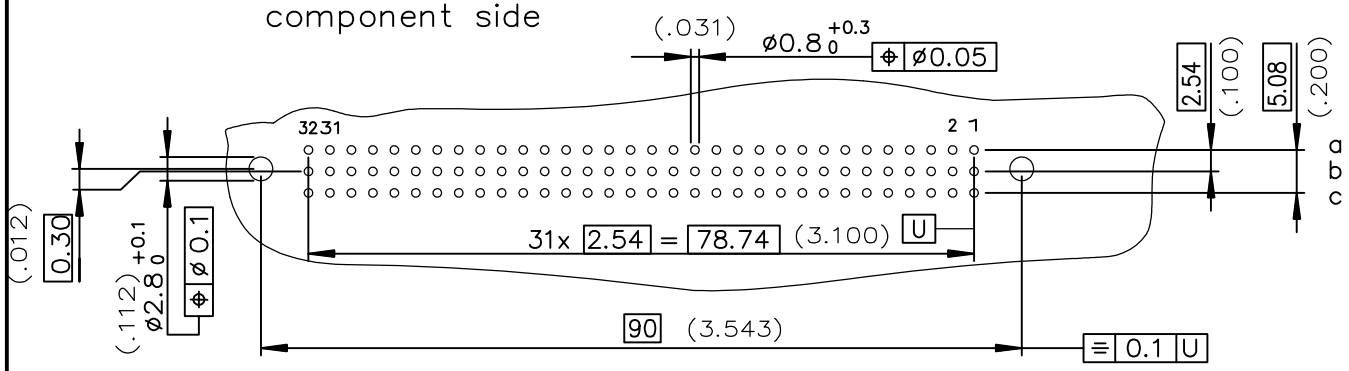
3

4

DIMENSIONS mm (inches)



PCB DRILLING component side



PART NUMBER	8609			78				8	
PIN OUT	rows a-b-c	---	---	3	---	---	---	48	
	rows a-c	---	---	4	---	---	---	32	
NUMBER OF CONTACTS									
TERMINATION	L = 2.70 ±0.25 (.106)	---	---	---	---	---	---	24	
	L = 4.65 ±0.25 (.183)	---	---	---	---	---	---	14	
OPTIONS	no option	---	---	---	---	---	---	7	
	with harpoons	---	---	---	---	---	---	H	
		---	---	---	---	---	---	A	
		---	---	---	---	---	---	R	
PERFORMANCE CLASS	DIN 41612 class 3	---	---	---	---	---	---	4	
	DIN 41612 class 2	---	---	---	---	---	---	5	
	DIN 41612 class 1	---	---	---	---	---	---	6	
TERMINATION TYPE	TIN LEAD	---	---	---	---	---	---	000E1	
	LEAD FREE	---	---	---	---	---	---	E1LF	

Copyright AFCI. Amphenol FCI

European Views

www.fciconnect.com			surface	ISO 1302	tolerance std	ISO 406 ISO 1101	projection	mm
			TOLERANCES UNLESS OTHERWISE SPECIFIED					Scale 1.5
Dr	ROUILLARD	1997/10/27	ANGULAR		0.X	±0.1	size	A3
Eng	TARON	1997/10/27	LINEAR		0.XX	±0.1	ECN	ELX-I-40683
Chr	M JACOB	2021/04/19	0.XX' ±2'		0.XXX	±0.1	Spec ref	-
Appr	SANOJ	2021/04/19	Product family		DIN 8609			
Amphenol FCI			title			STRAIGHT MALE - STYLE R		
			catalog no			SOLDER TO BOARD		
			dwg no			C-8609-0641		
			Rev.			D		
			CUSTOMER			sheet 1 of 1		

rev	ecn no	dr	date
A	-	-	1997/10/27
B	LS05-001	JTA	2005/03/01
C	LS06-0095	LGO	2006/06/22
D	ELX-I-40683	MJA	2021/04/19
-	-	-	-
-	-	-	-
-	-	-	-

GENERAL CHARACTERISTICS AND ROHS INFORMATIONS:
 SEE DRAWING C-8609-0000A