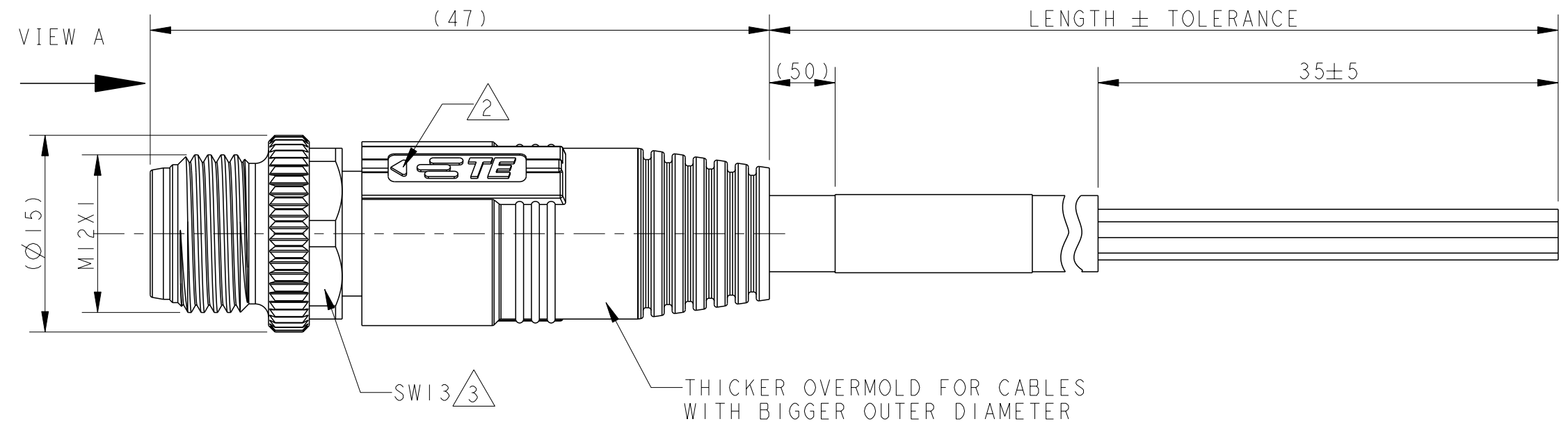
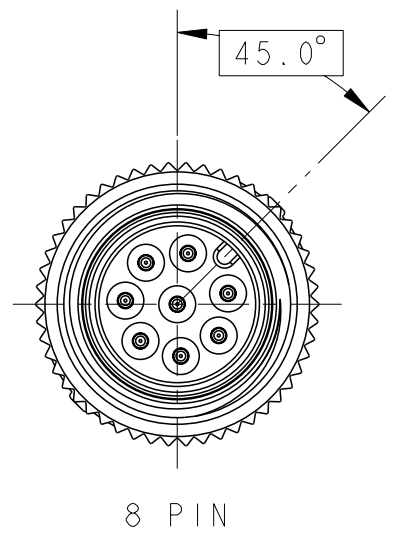
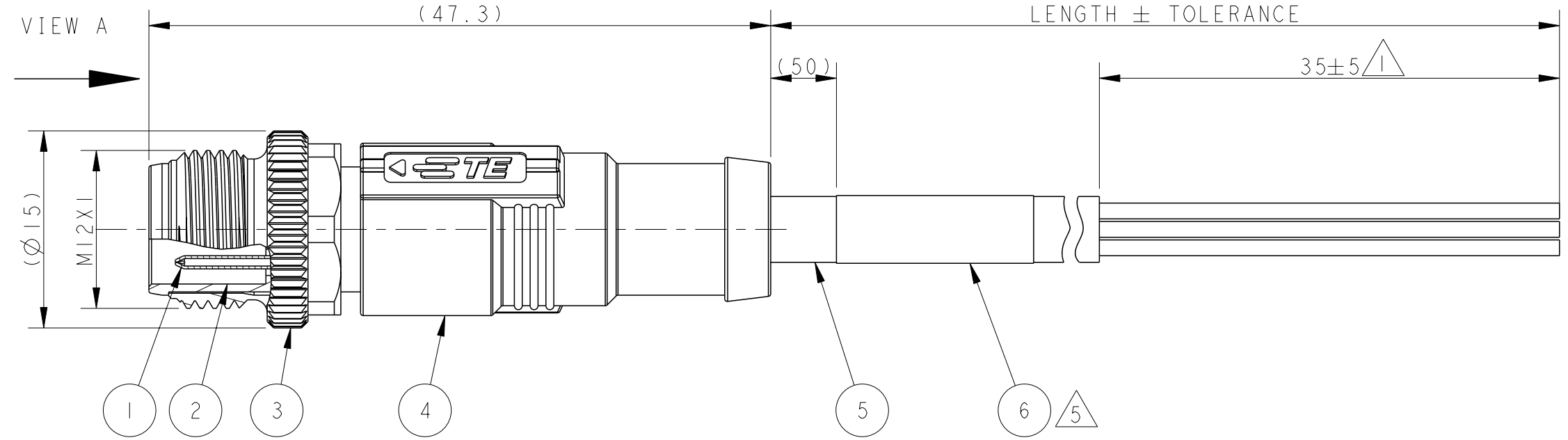
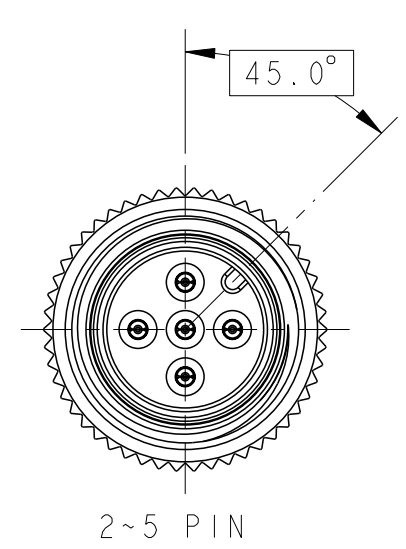
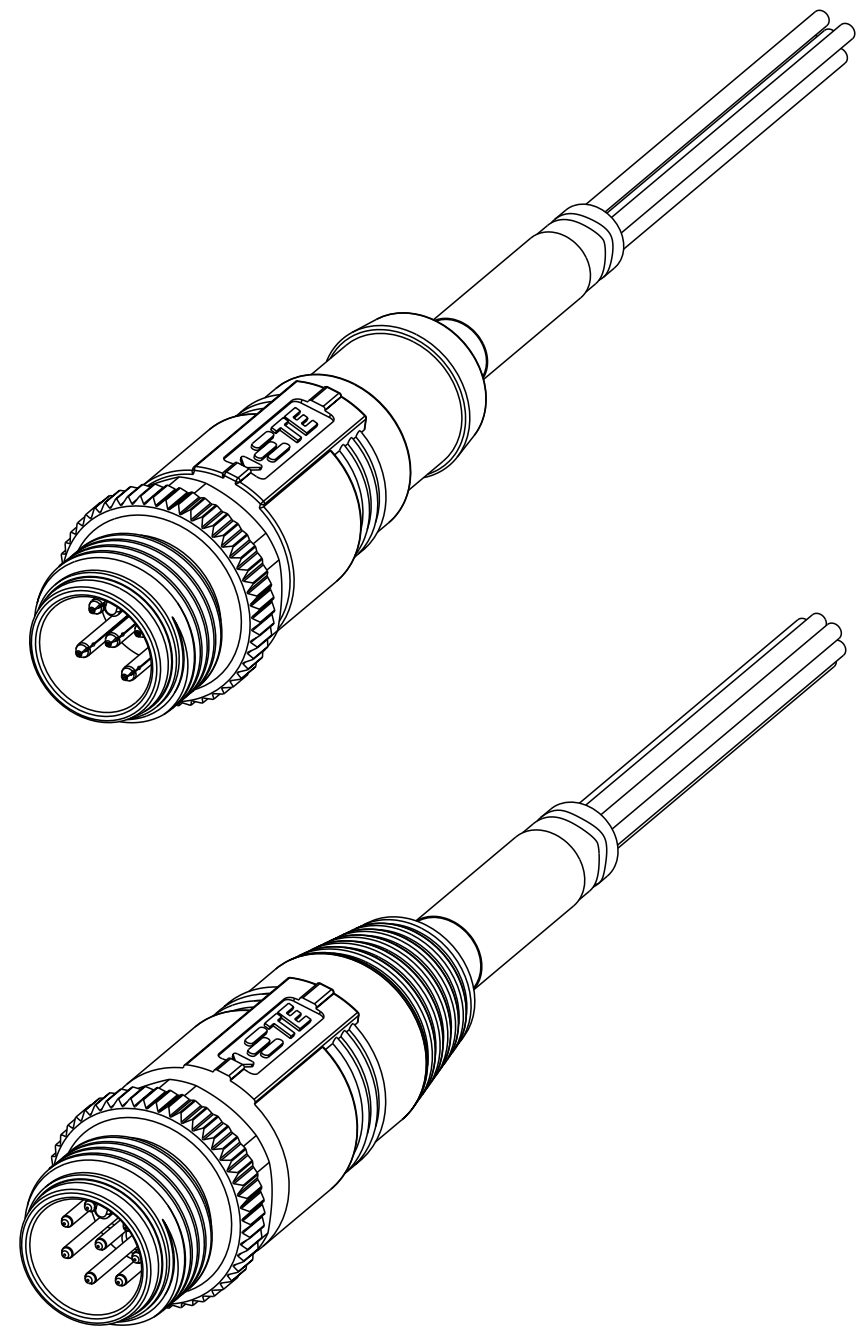


THIS DRAWING IS UNPUBLISHED. 2021 TE Connectivity. All Rights Reserved. RELEASED FOR PUBLICATION ALL RIGHTS RESERVED. COPYRIGHT

REVISIONS					
P	LTR	DESCRIPTION	DATE	DWN	APVD
	A	INITIAL RELEASE	10APR2021	BP	CW

(T41511*) M12 STRAIGHT MALE SINGLE ENDED CABLE ASSEMBLY (Unshielded)

ITEM	DESCRIPTION	MATERIAL	OTHERS
1	MALE CONTACT	COPPER ALLOY	FLASH GOLD
2	HOUSING	NYLON	BLACK
3	COUPLING NUT	COPPER ALLOY	-
4	OVER-MOLDING	POLYURETHANE	BLUE
5	CABLE	1=PVC 2=PUR	PVC:BLACK PUR:GRAY
6	LABEL	-	-



PN	T41511X0002-XXX	T41511X0003-XXX	T41511X0004-XXX	T41511X0005-XXX	T41511X0008-XXX
VIEW A					
WIRING DIAGRAM	PIN WIRE	PIN WIRE	PIN WIRE	PIN WIRE	PIN WIRE
	1 BROWN	1 BROWN	1 BROWN	1 BROWN	1 WHITE
	2 ---	2 ---	2 WHITE	2 WHITE	2 BROWN
	3 BLUE	3 BLUE	3 BLUE	3 BLUE	3 GREEN
	4 ---	4 BLACK	4 BLACK	4 BLACK	4 YELLOW
	5 ---	5 ---	5 ---	5 GREY	5 GREY
					6 PINK
					7 BLUE
					8 RED

TECHNICAL DATA	T41511X0002-XXX	T41511X0003-XXX	T41511X0004-XXX	T41511X0005-XXX	T41511X0008-XXX
RATED VOLTAGE		250V		60V	30V
RATED IMPULSE VOLTAGE		2500V		1500V	800V
RATED CURRENT			4A		2A
POLLUTION DEGREE			3		
OVERVOLTAGE CATEGORY			II		
MATERIAL GROUP			II		
DEGREE OF PROTECTION			IP67		

THIS DRAWING IS A CONTROLLED DOCUMENT.

DWN: BLAZE PENG 10APR2021
CHK: KEVIN HUANG 10APR2021
APVD: CHRIS WANG 10APR2021

ENTRELEC
Electrical Solutions

NAME: M12 CABLE ASSEMBLY SINGLE END UNSHIELDED

PRODUCT SPEC: 108-106140
APPLICATION SPEC: 114-137144

SIZE: A2 CAGE CODE: 00779 DRAWING NO: C-1SET311C0IR0000 RESTRICTED TO: 5 REV: A

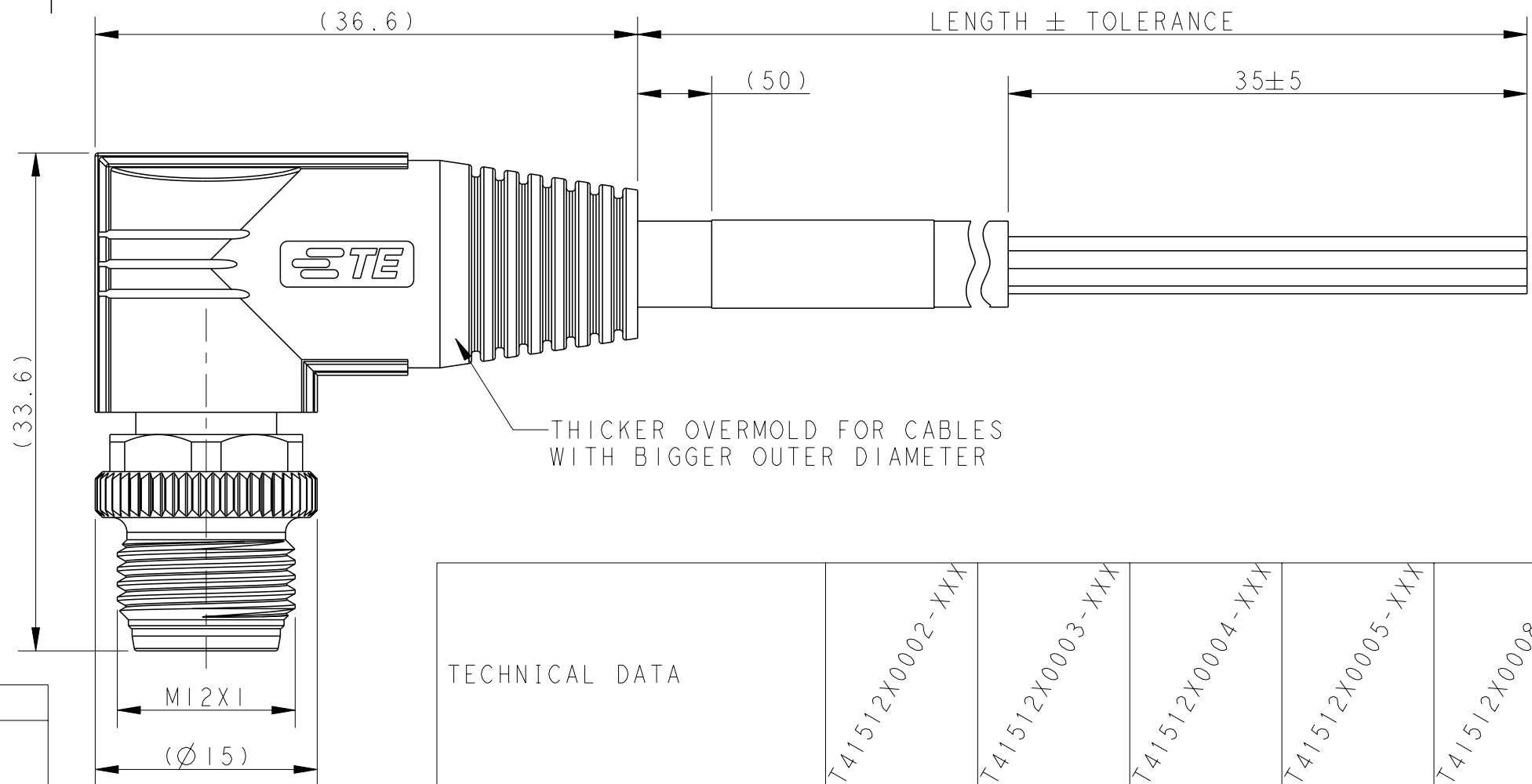
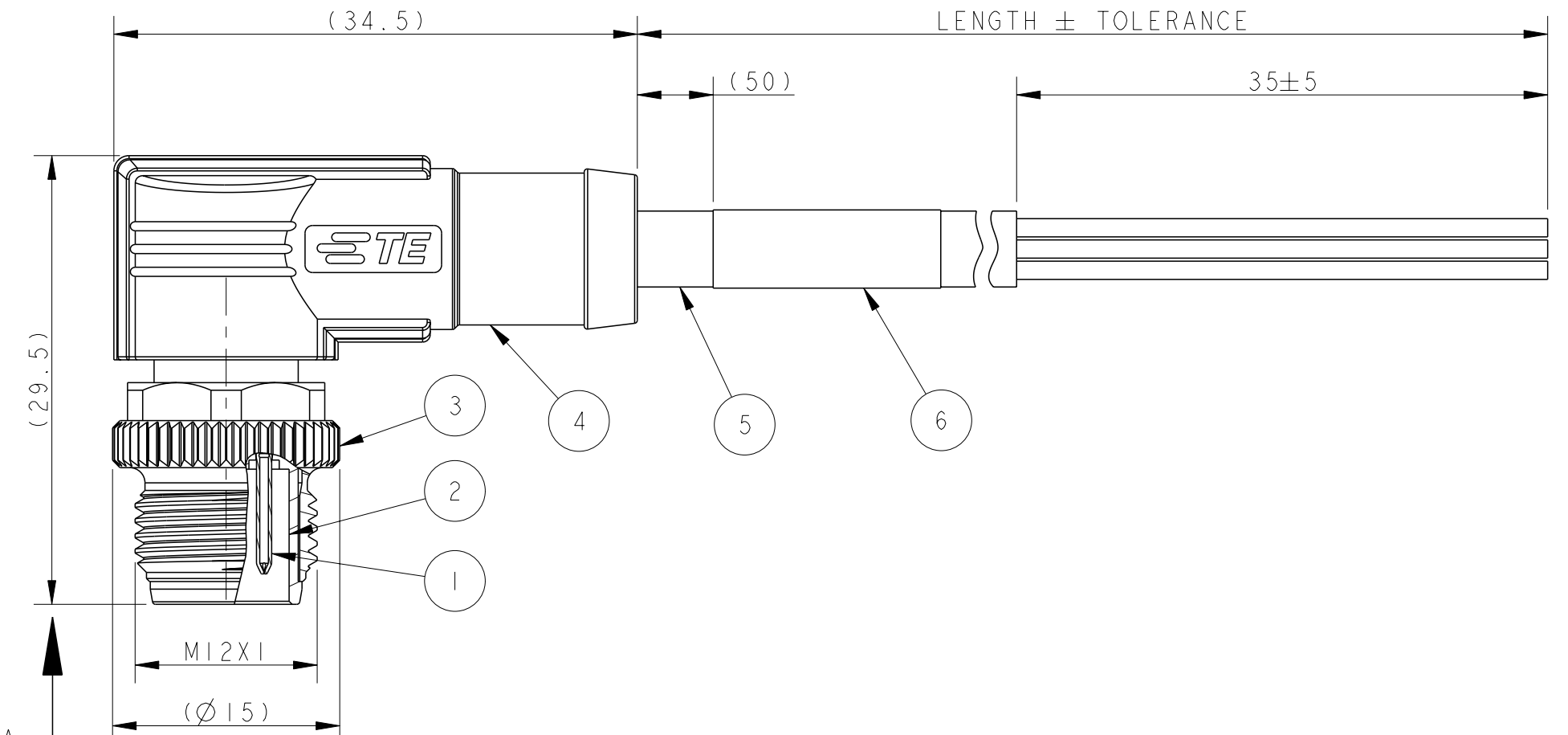
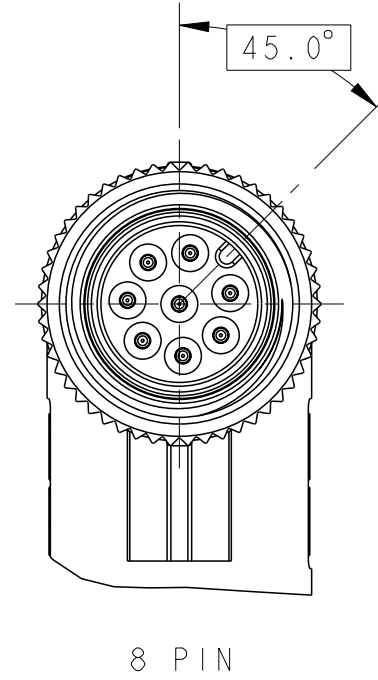
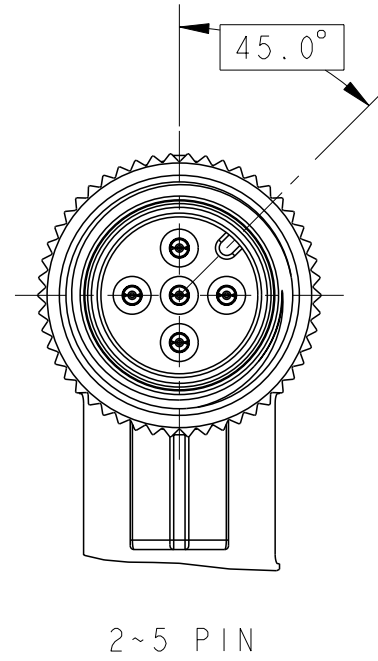
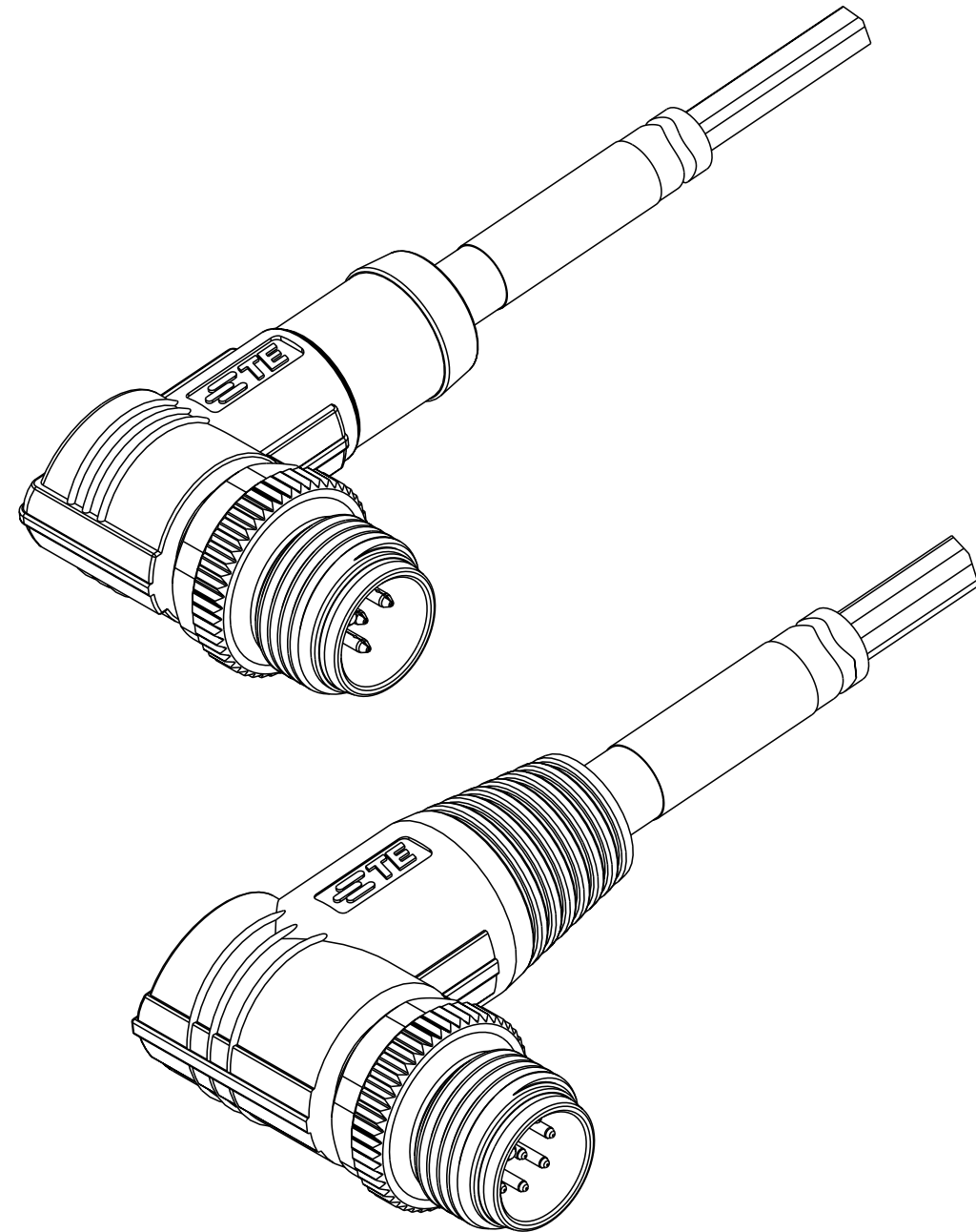
MATERIAL: - DIMENSIONS: mm TOLERANCES UNLESS OTHERWISE SPECIFIED: 0 PLC ± 1 PLC ± 2 PLC ± 3 PLC ± 4 PLC ± ANGLES ± FINISH -

CUSTOMER DRAWING SCALE: 1:1 SHEET: 1 OF 5

REVISIONS				
P	LTR	DESCRIPTION	DATE	APVD
		SEE SHEET 1		

(T41512*) M12 RIGHT ANGLE MALE SINGLE ENDED CABLE ASSEMBLY (Unshielded)

ITEM	DESCRIPTION	MATERIAL	OTHERS
1	MALE CONTACT	COPPER ALLOY	FLASH GOLD
2	HOUSING	NYLON	BLACK
3	COUPLING NUT	COPPER ALLOY	-
4	OVER-MOLDING	POLYURETHANE	BLUE
5	CABLE	1=PVC 2=PUR	PVC:BLACK PUR:GRAY
6	LABEL	-	-



PN	T41512X0002-XXX	T41512X0003-XXX	T41512X0004-XXX	T41512X0005-XXX	T41512X0008-XXX
VIEW A					
WIRING DIAGRAM	PIN WIRE	PIN WIRE	PIN WIRE	PIN WIRE	PIN WIRE
	1 BROWN	1 BROWN	1 BROWN	1 BROWN	1 WHITE
	2 ---	2 ---	2 WHITE	2 WHITE	2 BROWN
	3 BLUE	3 BLUE	3 BLUE	3 BLUE	3 GREEN
	4 ---	4 BLACK	4 BLACK	4 BLACK	4 YELLOW
	5 ---	5 ---	5 ---	5 GREY	5 GREY
					6 PINK
					7 BLUE
				8 RED	

TECHNICAL DATA	T41512X0002-XXX	T41512X0003-XXX	T41512X0004-XXX	T41512X0005-XXX	T41512X0008-XXX
RATED VOLTAGE		250V		60V	30V
RATED IMPULSE VOLTAGE		2500V		1500V	800V
RATED CURRENT			4A		2A
POLLUTION DEGREE			3		
OVERVOLTAGE CATEGORY			II		
MATERIAL GROUP			II		
DEGREE OF PROTECTION			IP67		

THIS DRAWING IS A CONTROLLED DOCUMENT.

DWN: BLAZE PENG (10APR2021)
CHK: KEVIN HUANG (10APR2021)
APVD: CHRIS WANG (10APR2021)

ENTRELEC
Electrical Solutions

NAME: M12 CABLE ASSEMBLY SINGLE END UNSHIELDED

PRODUCT SPEC: 108-106140
APPLICATION SPEC: 114-137144

SIZE: A2 CAGE CODE: 00779 DRAWING NO: ISET311C0IR000 RESTRICTED TO

MATERIAL: - DIMENSIONS: mm TOLERANCES UNLESS OTHERWISE SPECIFIED: 0 PLC ±, 1 PLC ±, 2 PLC ±, 3 PLC ±, 4 PLC ±, ANGLES ±, FINISH -

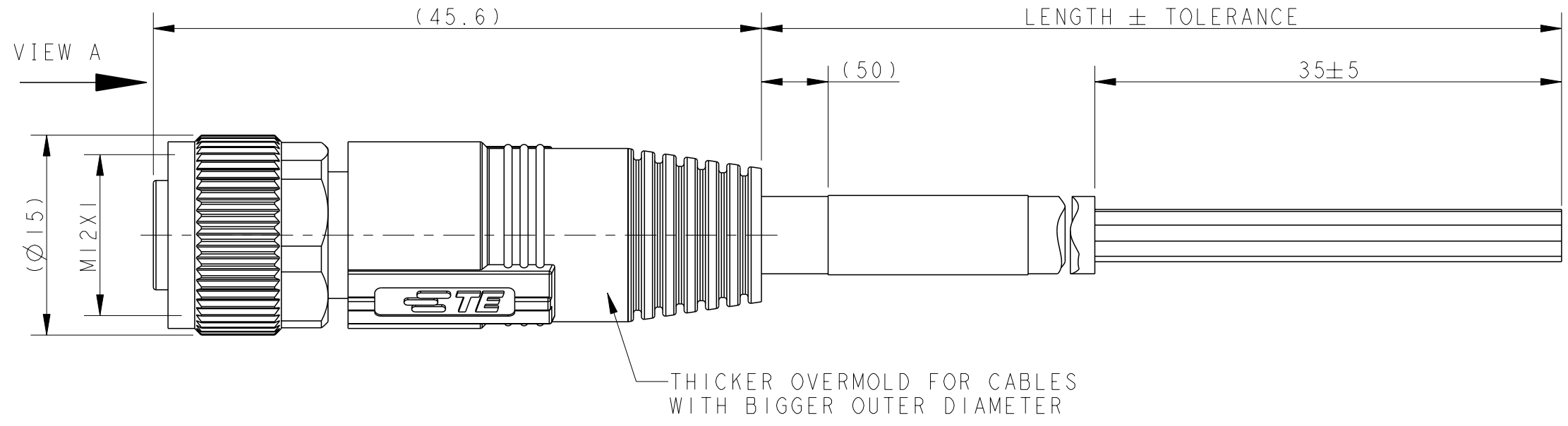
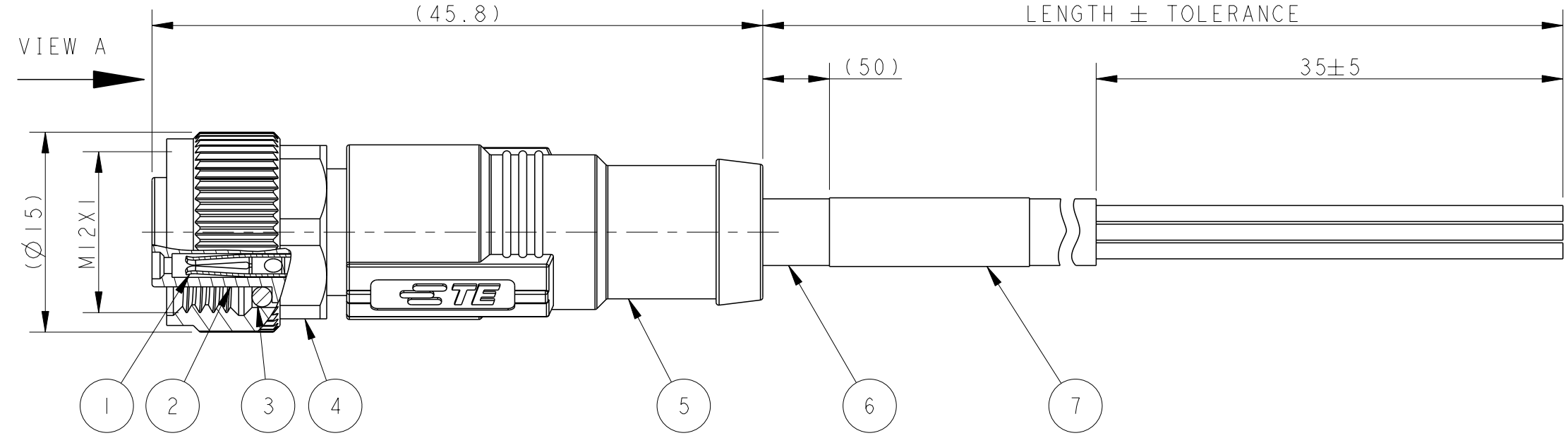
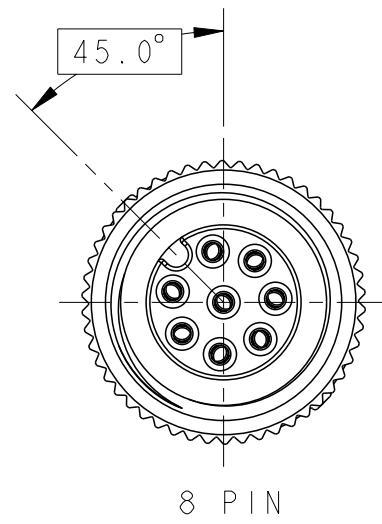
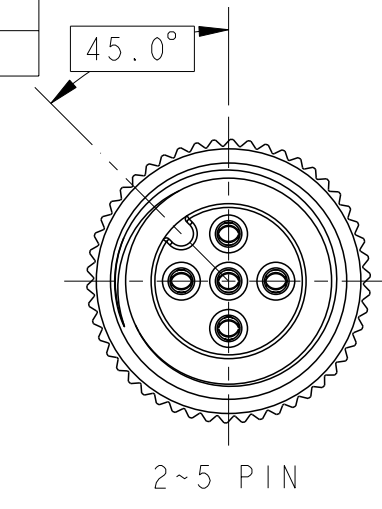
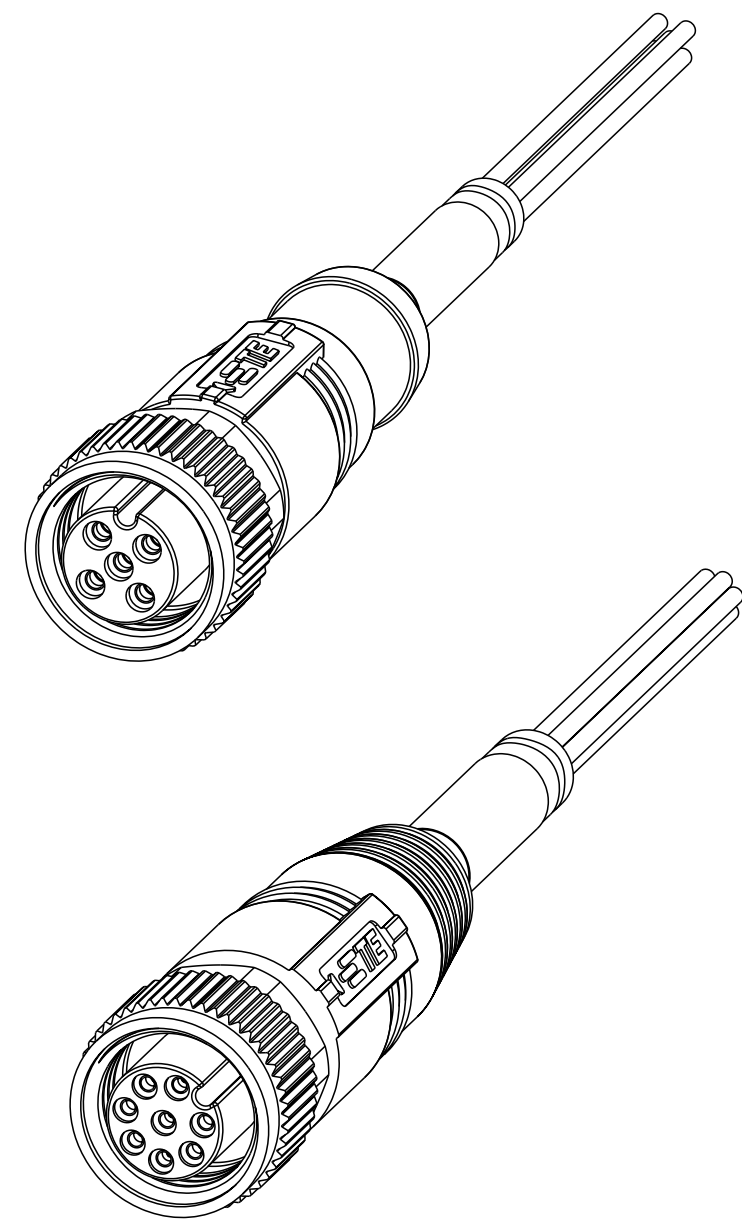
CUSTOMER DRAWING SCALE: 1:1 SHEET: 2 OF 5 REV: A

CODING REQUIRED TO IEC 61076-2-101

REVISIONS				
P	LTR	DESCRIPTION	DATE	APVD
		SEE SHEET 1		

(T41513*) M12 STRAIGHT FEMALE SINGLE ENDED CABLE ASSEMBLY (Unshielded)

ITEM	DESCRIPTION	MATERIAL	OTHERS
1	FEMALE CONTACT	COPPER ALLOY	FLASH GOLD
2	HOUSING	NYLON	BLACK
3	O-RING	SILICON	GRAY
4	COUPLING NUT	COPPER ALLOY	-
5	OVER-MOLDING	POLYURETHANE	BLUE
6	CABLE	1=PVC 2=PUR	PVC: BLACK PUR: GRAY
7	LABEL	-	-



PN	T41513X0002-XXX	T41513X0003-XXX	T41513X0004-XXX	T41513X0005-XXX	T41513X0008-XXX
VIEW A					
WIRING DIAGRAM	PIN WIRE	PIN WIRE	PIN WIRE	PIN WIRE	PIN WIRE
	1 BROWN	1 BROWN	1 BROWN	1 BROWN	1 WHITE
	2 ---	2 ---	2 WHITE	2 WHITE	2 BROWN
	3 BLUE	3 BLUE	3 BLUE	3 BLUE	3 GREEN
	4 ---	4 BLACK	4 BLACK	4 BLACK	4 YELLOW
	5 ---	5 ---	5 ---	5 GREY	5 GREY
					6 PINK
					7 BLUE
					8 RED

CODING REQUIRED TO IEC 61076-2-101

TECHNICAL DATA					
	T41513X0002-XXX	T41513X0003-XXX	T41513X0004-XXX	T41513X0005-XXX	T41513X0008-XXX
RATED VOLTAGE	250V			60V	30V
RATED IMPULSE VOLTAGE	2500V			1500V	800V
RATED CURRENT	4A				
POLLUTION DEGREE	3				
OVERVOLTAGE CATEGORY	II				
MATERIAL GROUP	II				
DEGREE OF PROTECTION	IP67				

THIS DRAWING IS A CONTROLLED DOCUMENT.

DWN: BLAZE PENG 10APR2021
CHK: KEVIN HUANG 10APR2021
APVD: CHRIS WANG 10APR2021

ENTRELEC
Electrical Solutions

NAME: M12 CABLE ASSEMBLY SINGLE END UNSHIELDED

PRODUCT SPEC: 108-106140
APPLICATION SPEC: 114-137144

SIZE: A2 CAGE CODE: 00779 DRAWING NO: ISET311C01R000 RESTRICTED TO

MATERIAL: - FINISH: - WEIGHT: - CUSTOMER DRAWING SCALE: 1:1 SHEET: 3 OF 5 REV: A

THIS DRAWING IS UNPUBLISHED.
2021 IE Connectivty. All Rights Reserved.
COPYRIGHT

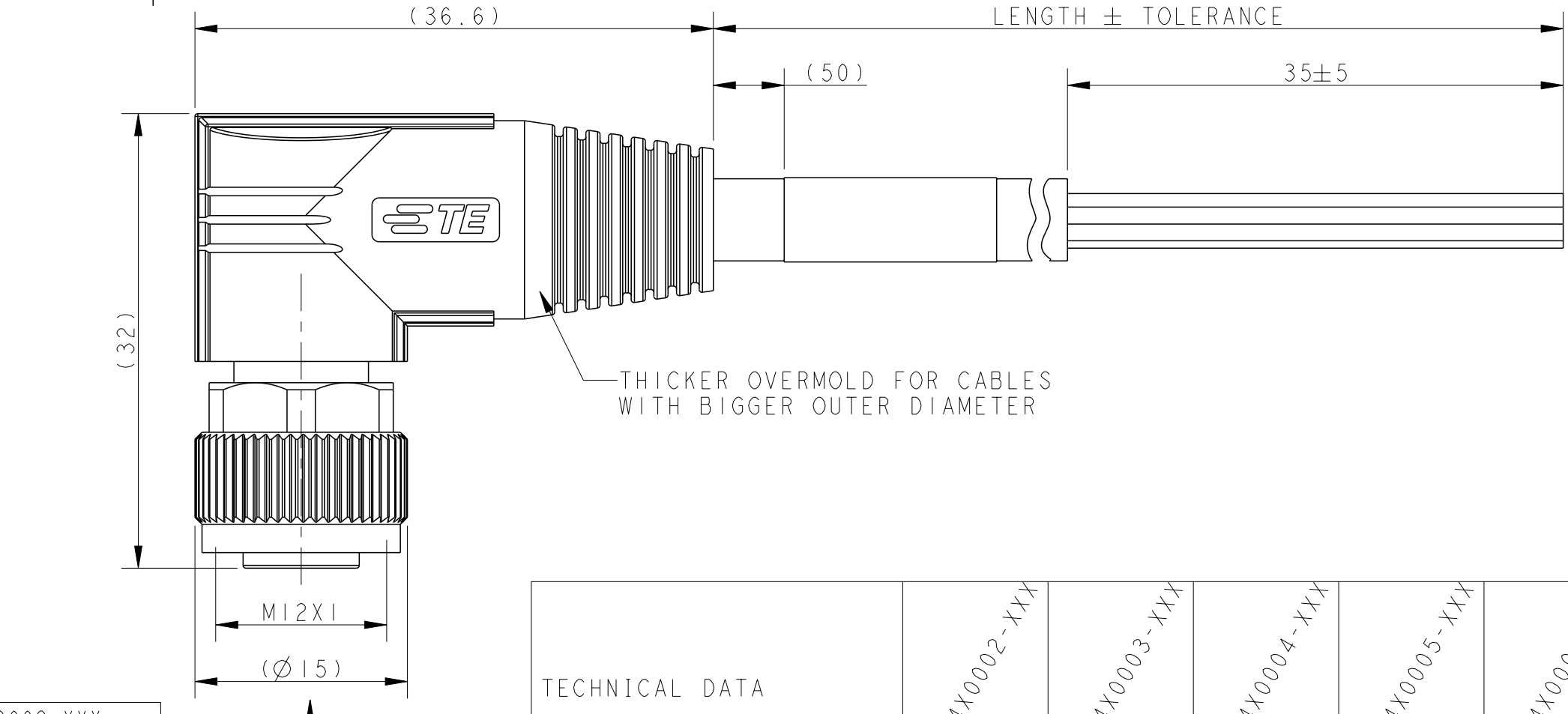
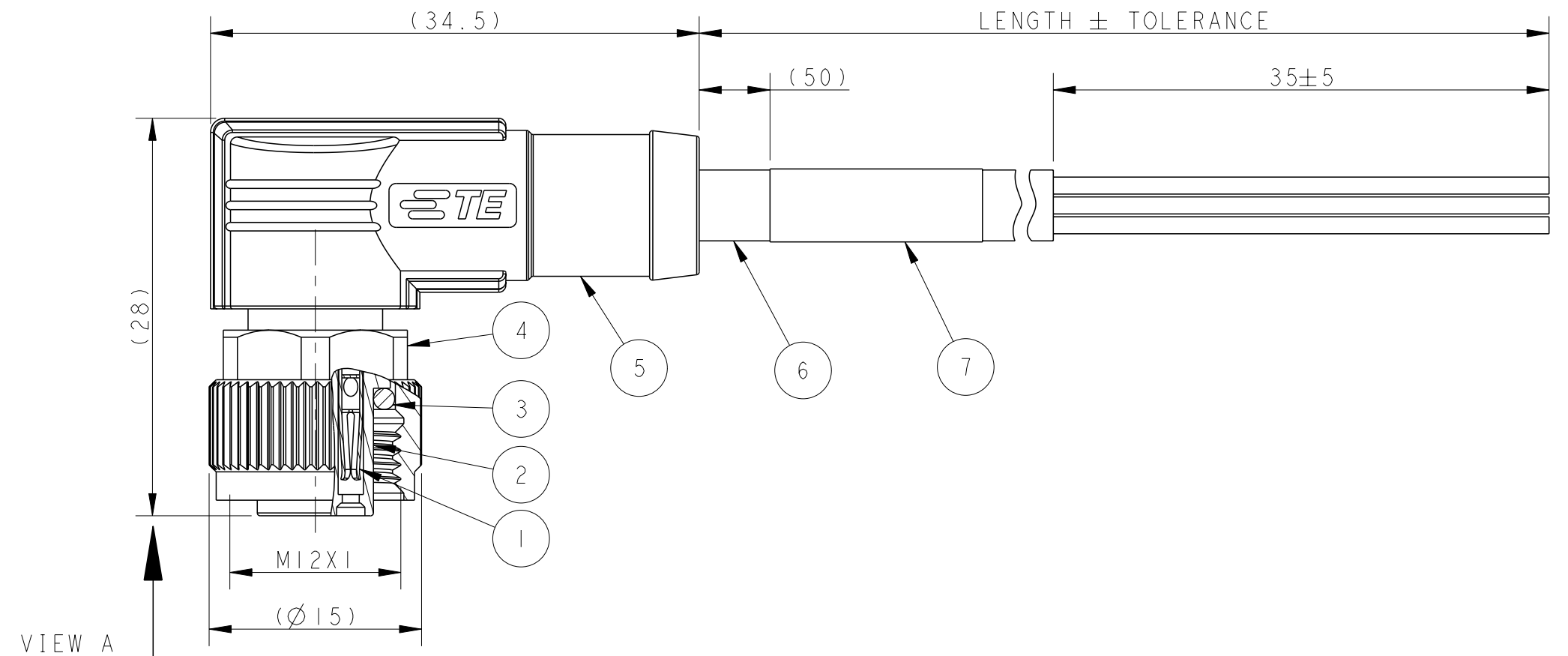
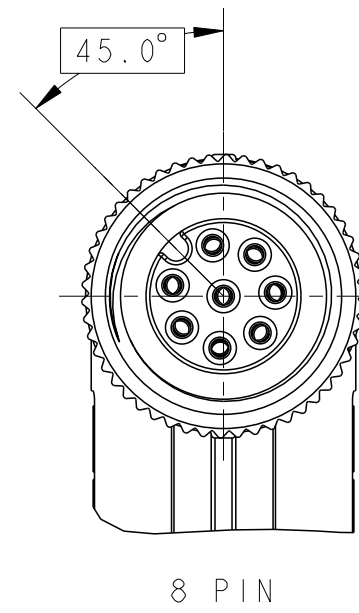
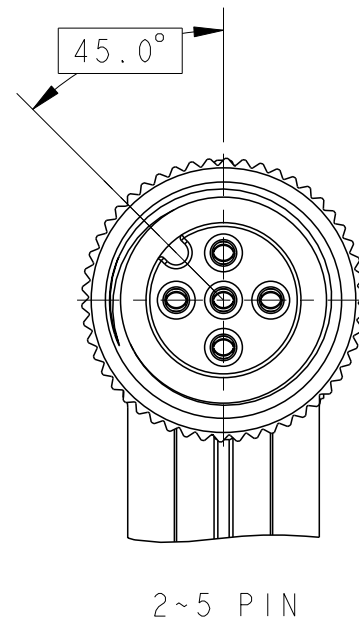
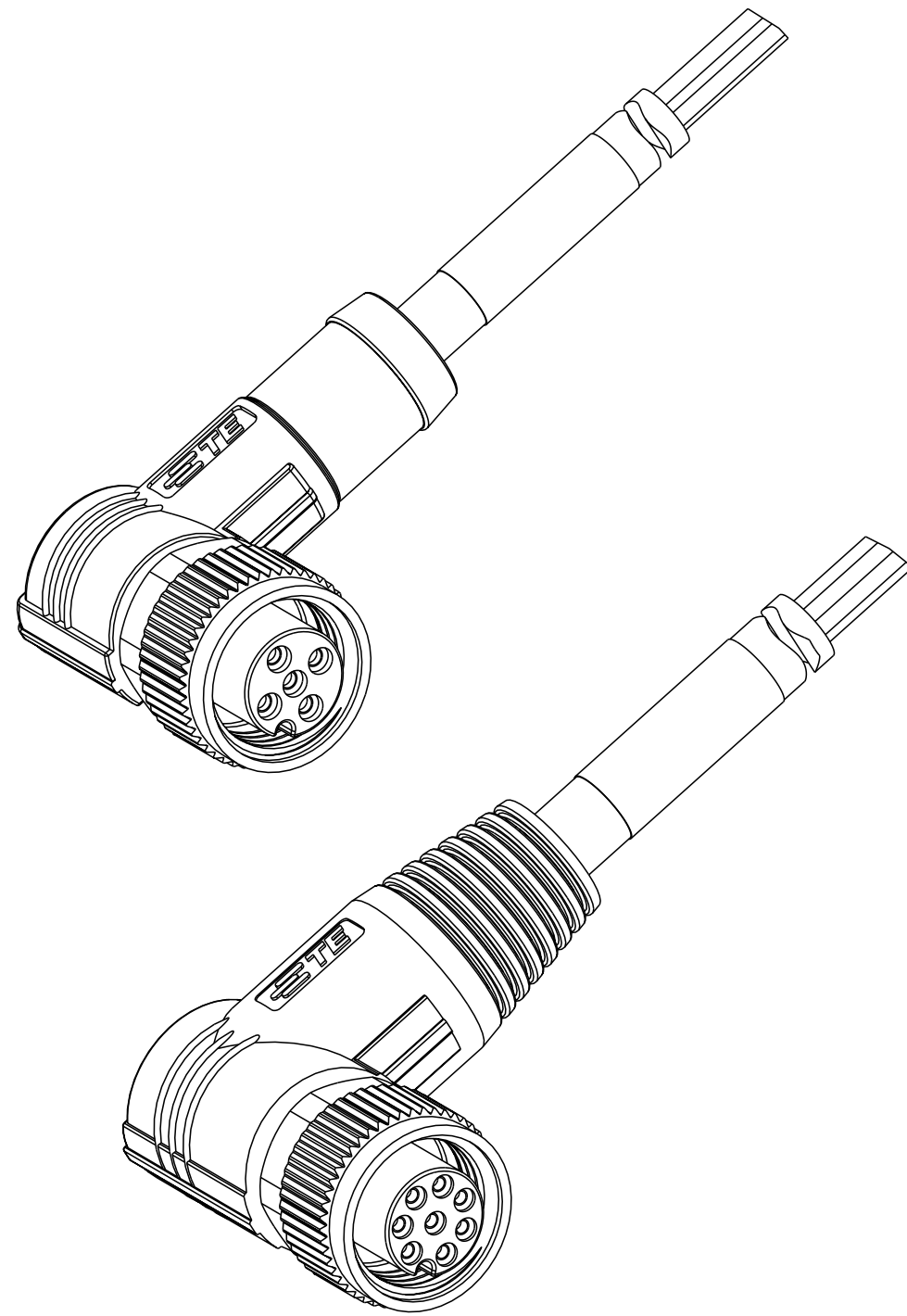
RELEASED FOR PUBLICATION
ALL RIGHTS RESERVED.

REVISIONS

P	LTR	DESCRIPTION	DATE	DWN	APVD
		SEE SHEET 1			

(T41514*) M12 RIGHT ANGLE FEMALE SINGLE ENDED CABLE ASSEMBLY (Unshielded)

ITEM	DESCRIPTION	MATERIAL	OTHERS
1	FEMALE CONTACT	COPPER ALLOY	FLASH GOLD
2	HOUSING	NYLON	BLACK
3	O-RING	SILICON	GRAY
4	COUPLING NUT	COPPER ALLOY	-
5	OVER-MOLDING	POLYURETHANE	BLUE
6	CABLE	1=PVC 2=PUR	PVC:BLACK PUR:GRAY
7	LABEL	-	-



PN	T41514X0002-XXX	T41514X0003-XXX	T41514X0004-XXX	T41514X0005-XXX	T41514X0008-XXX
VIEW A					
WIRING DIAGRAM	PIN WIRE	PIN WIRE	PIN WIRE	PIN WIRE	PIN WIRE
	1 BROWN	1 BROWN	1 BROWN	1 BROWN	1 WHITE
	2 ---	2 ---	2 WHITE	2 WHITE	2 BROWN
	3 BLUE	3 BLUE	3 BLUE	3 BLUE	3 GREEN
	4 ---	4 BLACK	4 BLACK	4 BLACK	4 YELLOW
5 ---	5 ---	5 ---	5 GREY	5 GREY	
					6 PINK
					7 BLUE
					8 RED

TECHNICAL DATA	T41514X0002-XXX	T41514X0003-XXX	T41514X0004-XXX	T41514X0005-XXX	T41514X0008-XXX
RATED VOLTAGE	250V		60V		30V
RATED IMPULSE VOLTAGE	2500V		1500V		800V
RATED CURRENT	4A				
POLLUTION DEGREE	3				
OVERVOLTAGE CATEGORY	II				
MATERIAL GROUP	II				
DEGREE OF PROTECTION	IP67				

THIS DRAWING IS A CONTROLLED DOCUMENT.

DWN: BLAZE PENG 10APR2021
CHK: KEVIN HUANG 10APR2021
APVD: CHRIS WANG 10APR2021

ENTRELEC
Electrical Solutions

NAME: M12 CABLE ASSEMBLY SINGLE END UNSHIELDED

PRODUCT SPEC: 108-106140
APPLICATION SPEC: 114-137144

SIZE: A2 CAGE CODE: 00779 DRAWING NO: G-ISET311C0IR0000 RESTRICTED TO: 4 OF 5 SHEET

MATERIAL: - TOLERANCES UNLESS OTHERWISE SPECIFIED: 0 PLC ±, 1 PLC ±, 2 PLC ±, 3 PLC ±, 4 PLC ±, ANGLES ±, FINISH -

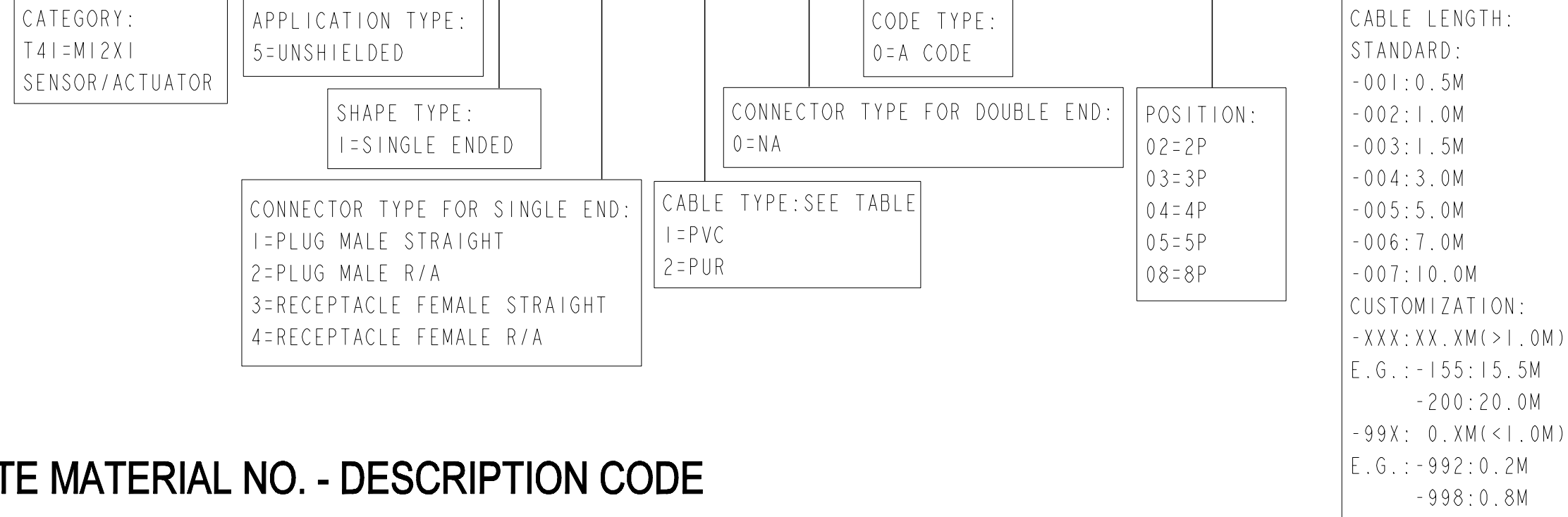
CUSTOMER DRAWING SCALE: 1:1 SHEET: 4 OF 5 REV: A

CODING REQUIRED TO IEC 61076-2-101

REVISIONS				
P	LTR	DESCRIPTION	DATE	APVD
		SEE SHEET 1		

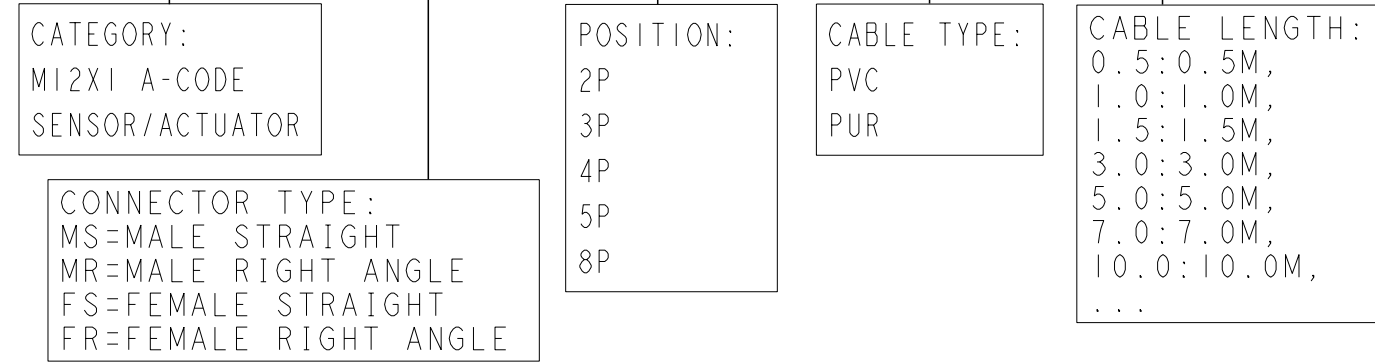
TE MATERIAL NO. - NUMERICAL CODE

T 4 1 5 1 X X 0 0 X X - X X X



TE MATERIAL NO. - DESCRIPTION CODE

M12 - XX - XP - PXX - **



CABLE INFORMATION

CABLE TYPE	NO. OF WIRES	CROSS SECTION	CABLE JACKET	UL	FIXED:TEMP.	FLEXIBLE:TEMP.
1	2/3/4/5	0.34mm ²	PVC BLACK	UL2464	-10°C~+80°C	-5°C~+80°C
1	8	0.25mm ²	PVC BLACK	UL2464	-10°C~+80°C	-5°C~+80°C
2	2/3/4/5	0.34mm ²	PUR GREY	UL20549	-40°C~+80°C	-25°C~+80°C
2	8	0.25mm ²	PUR GREY	UL20549	-40°C~+80°C	-25°C~+80°C

CABLE LENGTH TOLERANCE

OVER	UP TO AND INCLUDING	TOLERANCES
0	1000mm	±30mm
1000mm	4000mm	±50mm
4000mm	5000mm	±60mm
5000mm	10000mm	±80mm
10000mm	>	±1.5% OF CABLE LENGTH

- NOTE:
- STRIP ALL THE INSULATION
 - CODE POSITION INDICATOR
 - RECOMMENDED TORQUE 0.6 Nm
 - CABLE ASSEMBLY TO BE PACKAGED IN POLYBAGS
 - LABEL CONTAINS: PN, DATE CODE...

PART LIST

M12-MS-4P-PUR-1.0	T4151120004-002	ISET312850R0000
M12-MS-4P-PUR-3.0	T4151120004-004	ISET312852R0000
M12-MS-4P-PUR-5.0	T4151120004-005	ISET312853R0000
M12-MS-5P-PUR-1.0	T4151120005-002	ISET312857R0000
M12-MS-5P-PUR-3.0	T4151120005-004	ISET312859R0000
M12-MS-5P-PUR-5.0	T4151120005-005	ISET312860R0000
M12-MS-8P-PUR-1.0	T4151120008-002	ISET312864R0000
M12-MS-8P-PUR-3.0	T4151120008-004	ISET312866R0000
M12-MS-8P-PUR-5.0	T4151120008-005	ISET312867R0000
M12-MR-4P-PUR-1.0	T4151220004-002	ISET312920R0000
M12-MR-4P-PUR-3.0	T4151220004-004	ISET312922R0000
M12-MR-4P-PUR-5.0	T4151220004-005	ISET312923R0000
M12-MR-5P-PUR-1.0	T4151220005-002	ISET312927R0000
M12-MR-5P-PUR-3.0	T4151220005-004	ISET312929R0000
M12-MR-5P-PUR-5.0	T4151220005-005	ISET312930R0000
M12-MR-8P-PUR-1.0	T4151220008-002	ISET312934R0000
M12-MR-8P-PUR-3.0	T4151220008-004	ISET312936R0000
M12-MR-8P-PUR-5.0	T4151220008-005	ISET312937R0000
M12-FS-4P-PUR-1.0	T4151320004-002	ISET312990R0000
M12-FS-4P-PUR-3.0	T4151320004-004	ISET312992R0000
M12-FS-4P-PUR-5.0	T4151320004-005	ISET312993R0000
M12-FS-5P-PUR-1.0	T4151320005-002	ISET312997R0000
M12-FS-5P-PUR-3.0	T4151320005-004	ISET312999R0000
M12-FS-5P-PUR-5.0	T4151320005-005	ISET313000R0000
M12-FS-8P-PUR-1.0	T4151320008-002	ISET313004R0000
M12-FS-8P-PUR-3.0	T4151320008-004	ISET313006R0000
M12-FS-8P-PUR-5.0	T4151320008-005	ISET313007R0000
M12-FR-4P-PUR-1.0	T4151420004-002	ISET313060R0000
M12-FR-4P-PUR-3.0	T4151420004-004	ISET313062R0000
M12-FR-4P-PUR-5.0	T4151420004-005	ISET313063R0000
M12-FR-5P-PUR-1.0	T4151420005-002	ISET313067R0000
M12-FR-5P-PUR-3.0	T4151420005-004	ISET313069R0000
M12-FR-5P-PUR-5.0	T4151420005-005	ISET313070R0000
M12-FR-8P-PUR-1.0	T4151420008-002	ISET313074R0000
M12-FR-8P-PUR-3.0	T4151420008-004	ISET313076R0000
M12-FR-8P-PUR-5.0	T4151420008-005	ISET313077R0000
PRODUCT TYPE	TE PN	ENTRELEC PN

THIS DRAWING IS A CONTROLLED DOCUMENT.

DIMENSIONS: mm	TOLERANCES UNLESS OTHERWISE SPECIFIED: 0 PLC ± 1 PLC ± 2 PLC ± 3 PLC ± 4 PLC ± ANGLES ± FINISH	DWN: BLAZE PENG 10APR2021	
		CHK: KEVIN HUANG 10APR2021	
		APVD: CHRIS WANG 10APR2021	NAME: M12 CABLE ASSEMBLY SINGLE END UNSHIELDED
		PRODUCT SPEC: 108-106140	SIZE: A2 CAGE CODE: 00779 DRAWING NO: ISET311C01R0000
MATERIAL: -		WEIGHT: -	RESTRICTED TO: A
CUSTOMER DRAWING		SCALE: 1:1	SHEET: 5 OF 5 REV: A