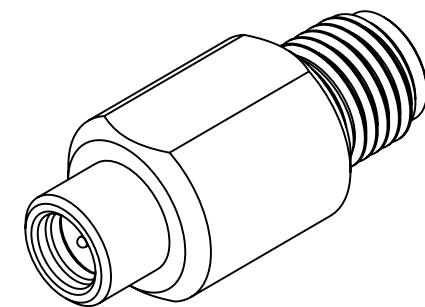


NOTES:

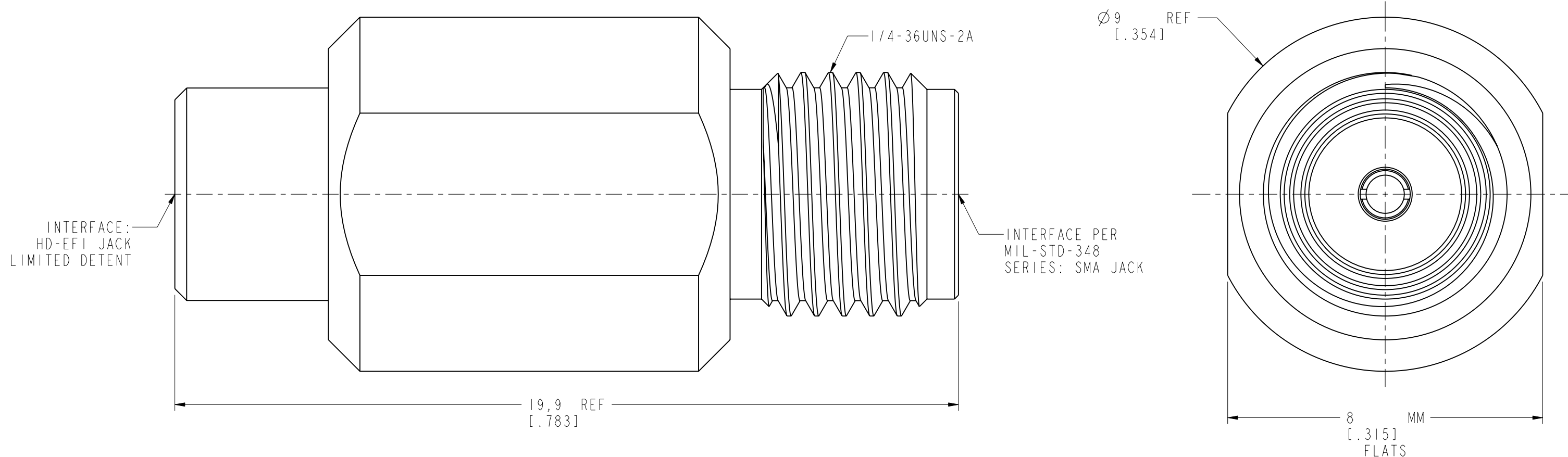
1. MATERIALS AND FINISHES:
 BODY - BRASS, ALBALOY PLATING
 CONTACT - BERYLLIUM COPPER, GOLD PLATING
 INSULATOR - PTFE & PEEK, NATURAL
2. ELECTRICAL:
 A. IMPEDANCE: 50 OHM
 B. FREQUENCY RANGE: DC - 6 GHz
 C. VSWR: 1.15 MAX. @ DC - 3 GHz
 1.22 MAX. @ 3 - 6 GHz
3. MECHANICAL:
 A. DURABILITY: 50 CYCLES MIN. FOR HD-EFI SIDE
 500 CYCLES MIN. FOR SMA SIDE
 B. TEMPERATURE RANGE: -55°C TO +125°C
4. PACKAGING:
 A. QUANTITY: SINGLE PACK
 B. MARKING: BAG TO BE MARKED:
 "AMPHENOL RF, AD-SMAJHDEFIJ-1, AND DATE CODE

THIRD ANGLE PROJ.

REVISIONS				
REV	DESCRIPTION	DATE	ECN	APPR
A	RELEASE TO MFG.	14-Aug-18	08787	BMG



SCALE 3.000



CUSTOMER OUTLINE DRAWING
 ALL OTHER SHEETS ARE FOR INTERNAL USE ONLY

UNLESS OTHERWISE SPECIFIED, DIMENSIONS ARE IN METRIC AND TOLERANCES ARE: <0.5mm ±0.05mm 0.5 - 6mm ±0.1mm 6 - 30mm ±0.2mm 30 - 120mm ±0.3mm ANGLES ±1°	MATERIAL	DRAWN	DATE	TITLE		Amphenol RF www.amphenolrf.com
	SEE NOTES	STAR	14-Aug-18	SMA JACK TO HD-EFI LIMITED DETENT JACK ADAPTER		
NOTICE - These drawings, specifications, or other data (1) are, and remain the property of Amphenol corp. (2) must be returned upon request; and (3) are confidential and not to be disclosed to any person other than those to whom they are given by Amphenol Corp. the furnishing of these drawings, specifications, or other data by Amphenol Corp., or to any other person to anyone for any purpose is not to be regarded by implication or otherwise in any manner licensing, granting rights to permitting such holder or any other person to manufacture, use or sell any product, process or design, patented or otherwise, that may in any way be related to or disclosed by said drawings, specifications, or other data.	REFERENCE	ENGINEER	DATE	SCALE: 10.0:1.0 SHEET 2 OF 2		DRAWING NO. AD-SMAJHDEFIJ-1
	EAR# 8375	SUNDE	16-Aug-18	DWG SIZE B		ITEM NO. AD-SMAJHDEFIJ-1
	REF: SMAF-DFIMI-AT5G-50	APPROVED	S. HSIEH	DATE	REV A	PART NO. AD-SMAJHDEFIJ-1
	CONFIGURATION LEVEL: In Work	CAD FILE		16-Aug-18		
FINISH						