

PAGE 1/2

ISSUE 15-03-18

SERIE : SPnT

PART NUMBER : R573F11801

## RF CHARACTERISTICS

Number of ways : **8**  
 Frequency range : **0 - 26.5 GHz**  
 Impedance : **50 Ohms**

Frequency (GHz)	DC - 3	3 - 8	8 - 12.4	12.4 - 16	16 - 18	18 - 22	22 - 26.5
VSWR max	<b>1.20</b>	<b>1.30</b>	<b>1.40</b>	<b>1.50</b>	<b>1.60</b>	<b>1.70</b>	<b>2.00</b>
Insertion loss max	<b>0.20 dB</b>	<b>0.30 dB</b>	<b>0.40 dB</b>	<b>0.55 dB</b>	<b>0.60 dB</b>	<b>0.70 dB</b>	<b>1.10 dB</b>
Isolation min	<b>80 dB</b>	<b>70 dB</b>	<b>60 dB</b>	<b>60 dB</b>	<b>60 dB</b>	<b>60 dB</b>	<b>55 dB</b>
Average power (*)	<b>240 W</b>	<b>150 W</b>	<b>120 W</b>	<b>110 W</b>	<b>100 W</b>	<b>90 W</b>	<b>40 W</b>

## ELECTRICAL CHARACTERISTICS

Actuator : **NORMALLY OPEN**  
 Nominal current \*\* : **420 mA**  
 Actuator voltage (Vcc) : **5V / NEGATIVE COMMON**  
 Terminals : **Mini-USB socket (with 1 meter USB cable)**

## MECHANICAL CHARACTERISTICS

Connectors : **SMA female per MIL-C 39012**  
 Life : **2 million cycles per position**  
 Switching Time\*\*\* : **< 15 ms**  
 Construction : **Splashproof**  
 Weight : **< 280 g**

## ENVIRONMENTAL CHARACTERISTICS

Operating temperature range : **-25°C to +75°C**  
 Storage temperature range : **-55°C to +85°C**

## SYSTEM REQUIREMENTS

Compatible with Windows® 7 up to 10 operating systems using 32 and 64 bit architecture

(\* Average power at 25°C per RF Path)

(\*\* At 25° C ±10%)

(\*\*\* Nominal voltage ; 25° C)



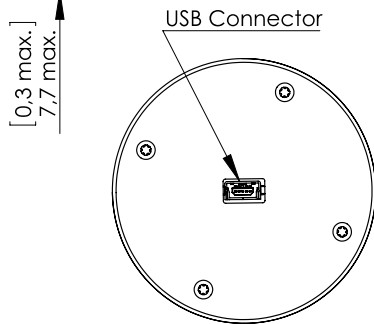
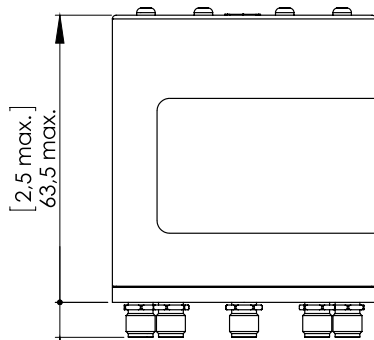
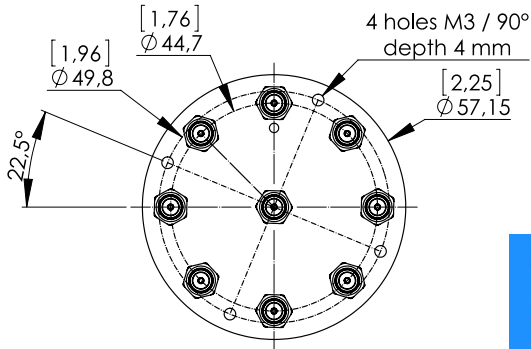
PAGE 2/2

ISSUE 15-03-18

SERIE : SPnT

PART NUMBER : R573F11801

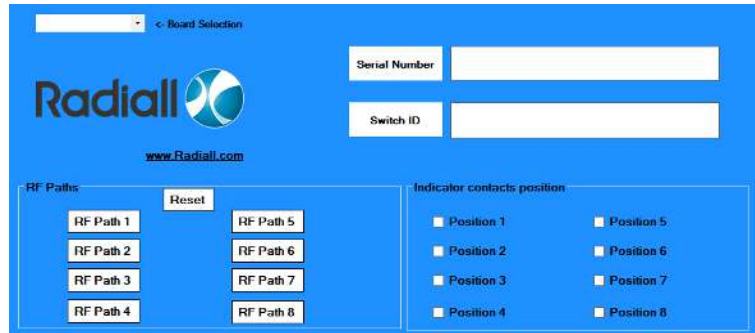
**DRAWING**



General tolerances :  $\pm 0.5 \text{ mm}$  [0.02 in]

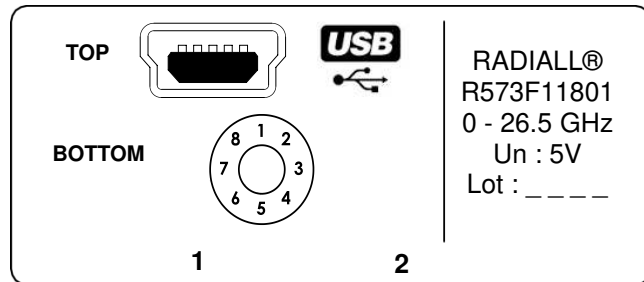


**Graphical User Interface**



Apart from using the provided GUI interface USB switch can be also controlled via other commonly used software programming platforms such as Visual Basic, C#, C++, LabVIEW™ and VEE.

**LABEL**



**SCHEMATIC DIAGRAM**

