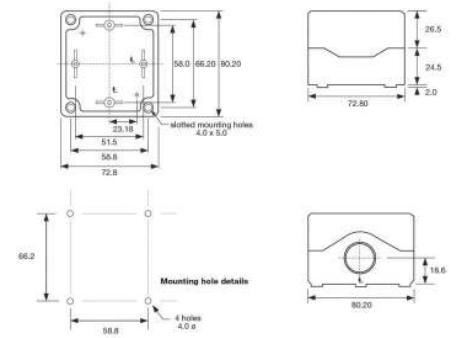


BEA01S - ABS



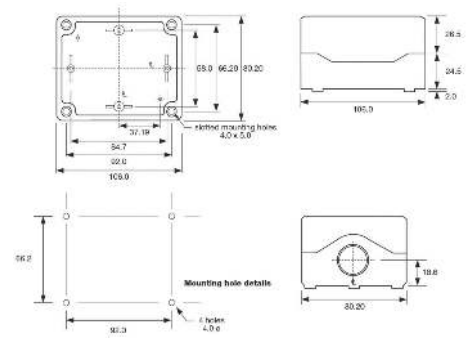
- Dimensions: 80 x 72 x 53mm
- Slotted mounting holes, 66.2 x 58.8mm
- 2 x M20 threaded knock-outs suitable for use with M20 glands
- Option for single pre-drilled 22mm Ø hole in lid
- PCB mounting posts suitable for M3 self tapping screws
- Grey or black base
- Transparent, black, grey or yellow lid



BEA02S - ABS



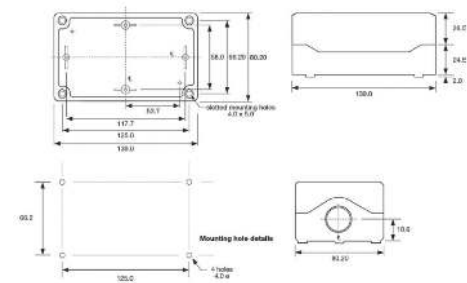
- Dimensions: 80 x 106 x 53mm
- Slotted mounting holes, 66.2 x 92.0mm
- 2 x M20 threaded knock-outs suitable for use with M20 glands
- Option for two pre-drilled 22mm Ø holes in lid
- PCB mounting posts suitable for M3 self tapping screws
- Grey or black base
- Transparent, black, grey or yellow lid



BEA03S - ABS



- Dimensions: 80 x 139 x 53mm
- Slotted mounting holes, 66.2 x 125mm
- 2 x M20 threaded knock-outs suitable for use with M20 glands
- Option for three pre-drilled 22mm Ø holes in lid
- PCB mounting posts suitable for M3 self tapping screws
- Grey or black base
- Transparent, black, grey or yellow lid



Combifoot rail mounting  
accessory



BE123456 BE123457

- Easy snap fixing to enclosure BEA01S, BEA02S & BEA03S
- Suitable for TS32 & TS35 rails
- Available in black or grey
- Part numbers:  
Grey - BE123456  
Black - BE123457

Wall mounting accessory



BE123458 BE123459

- Easy snap fixing to enclosure BEA01S, BEA02S & BEA03S
- For easy access wall mounting
- Available in black or grey
- Part numbers:  
Grey - BE123458  
Black - BE123459

Cable glands



BE123460 BE123461

- For use in pre-moulded knock-outs
- M20 thread
- Cable range 6-12mm  
Supplied with gasket
- Available in black or grey
- Part numbers:  
Grey - BE123460  
Black - BE123461

## Specifications

	BEAxxx
<b>Sealing:</b>	IP67
<b>Material:</b>	ABS
<b>Flammability rating:</b>	UL94HB
<b>Gasket:</b>	TPE
<b>Temperature rating:</b>	-20°C to +85°C

## Features

- IP67 rated, dust and waterproof for short-term submersion to 1m depth
- ABS - UL94HB rated
- Threaded M20 knock-outs, premoulded areas that can be pushed out for use with M20 size cable glands
- Plastic lid fixing screws, corrosion resistant
- Captive lid screws, standard on all lids
- Additional pre-drilled 22mm holes in the lid may be specified, suitable for standard switches and indicators
- PCB mounting, mounting posts and slots for PCB as standard
- Self tapping screw fixing, standard feature
- Transparent top cover, available in clear and smoke grey
- Accessories:
  - Wall mounting brackets
  - Combifoot - TS32 & TS35 din rail mounting
  - M20 cable glands for use in knock-outs
- Registered design

<b>BE</b>	/	<b>X</b>	<b>XXX</b>	/	<b>X</b>	/	<b>X</b>	<b>X</b>
<b>Body Styles</b>		<b>Materials</b>	<b>Size</b>		<b>Base Colour</b>		<b>Lid Colour</b>	<b>Pre-drilled Lid Holes</b>
		A = ABS - UL94HB	01S = 80 x 72 x 53 02S = 80 x 106 x 53 03S = 80 x 139 x 53		B = black G = grey		B = black G = grey Y = yellow T = transparent	0 = no holes 1 = with hole(s) (1 x 22mmØ Size 1, 2 x 22mmØ Size 2 & 3 x 22mmØ Size 3 Enclosures)

## Examples:

**BEA02SGT0** = Size 2, ABS material, grey base, transparent lid with no holes