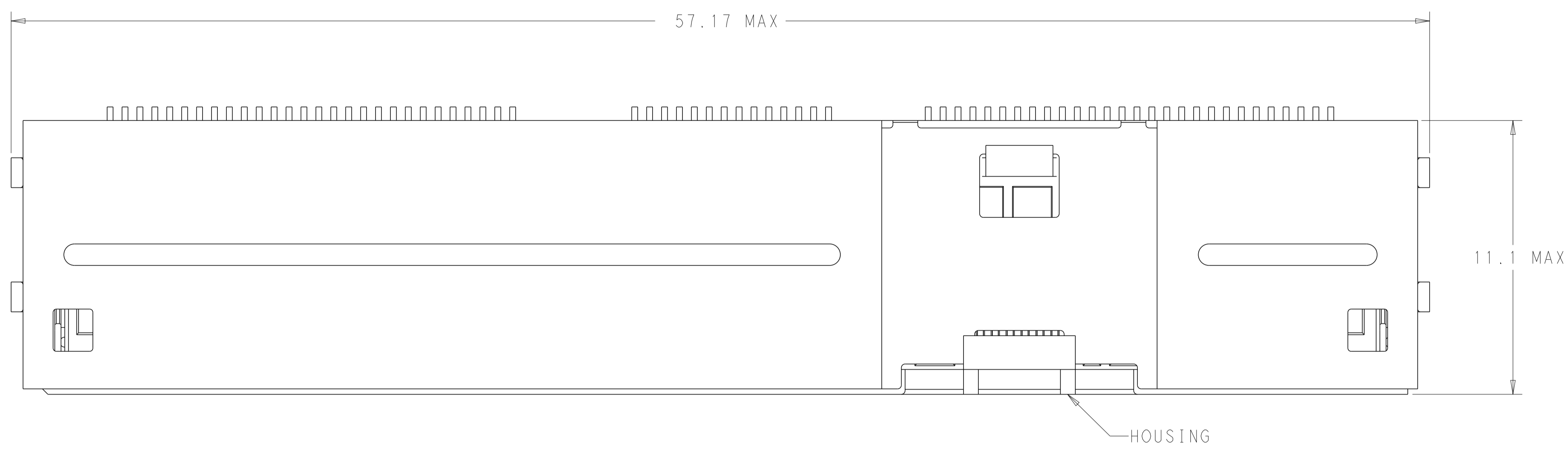
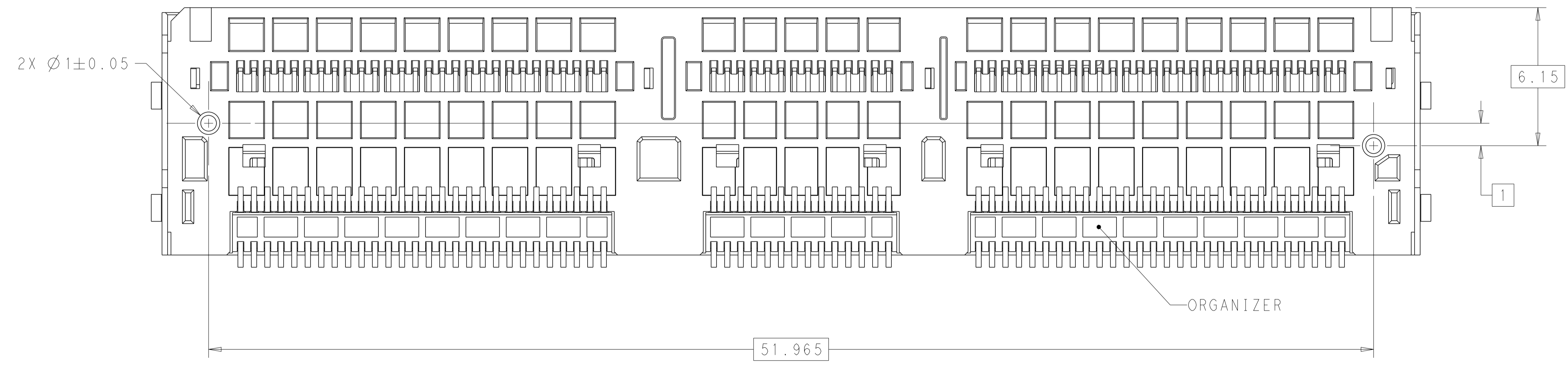
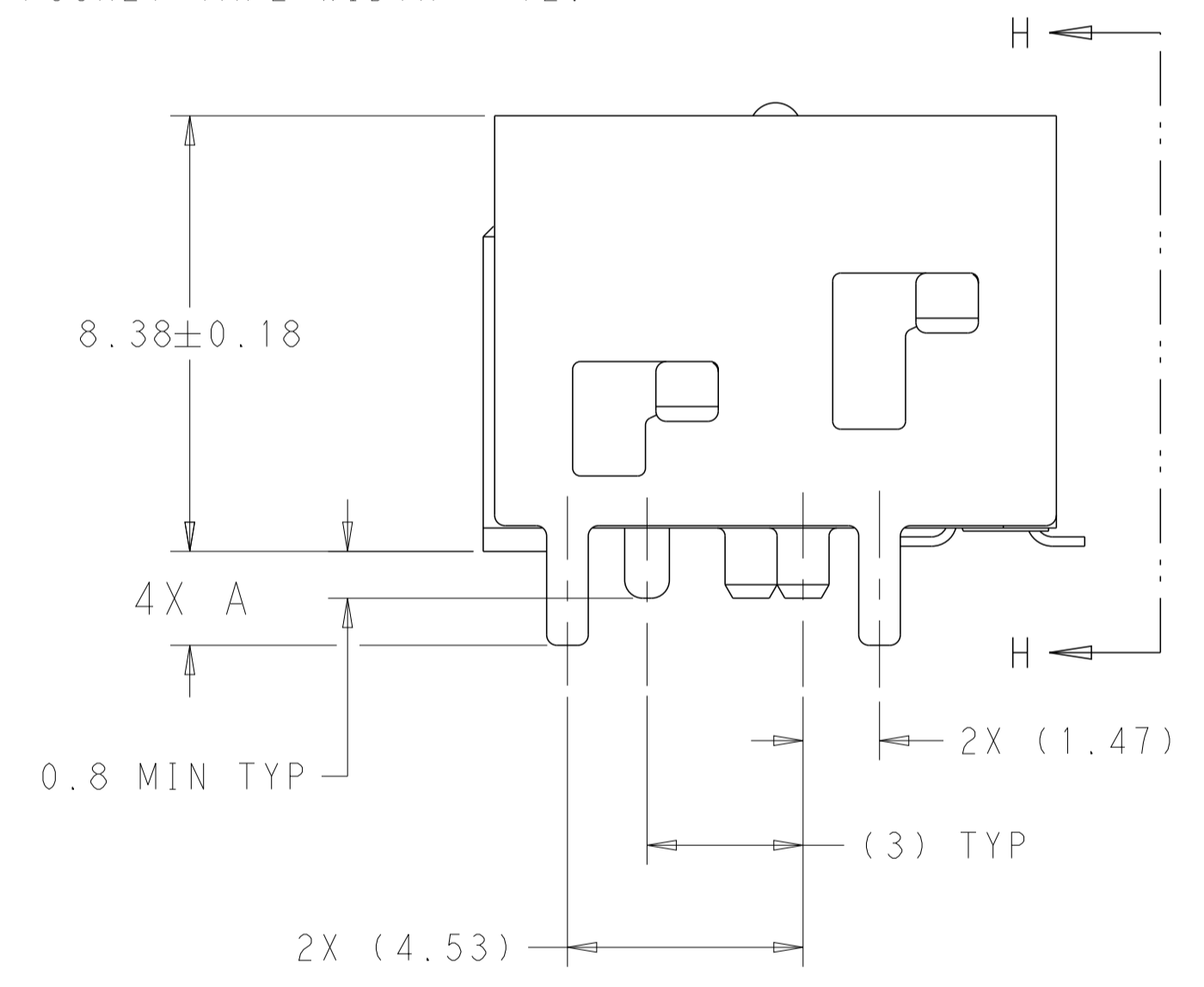
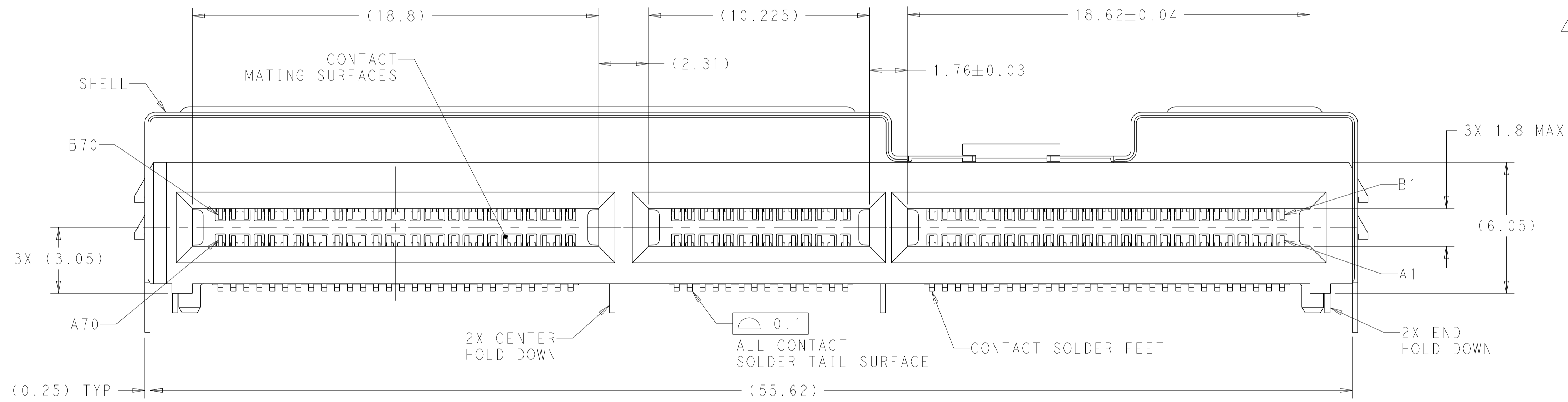


REVISIONS				
P	LTN	DESCRIPTION	DATE	APVD
A		RELEASED PER ECO-19-014774	27SEP2019	CJV JW
B		REVISED PER ECN-21-126523	15MAR2022	TX DZ
C		REVISED PER ECN-22-153747	13MAY2022	TX DZ



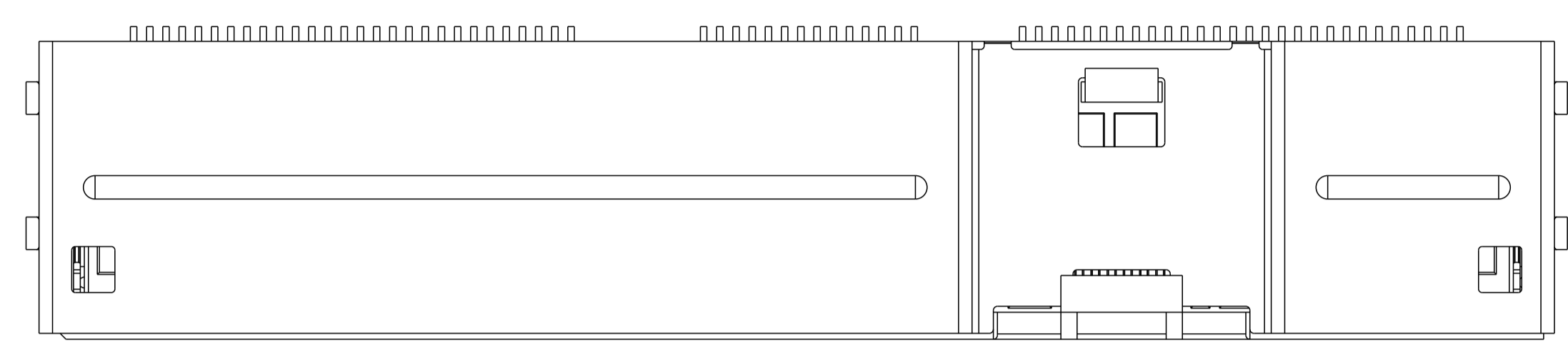
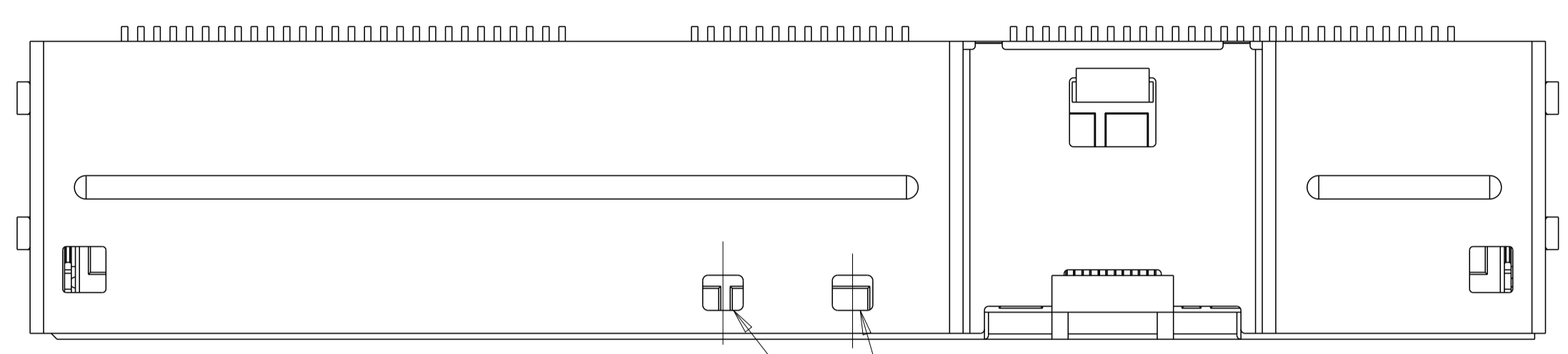
- ① HOUSING, ORGANIZER - LCP, UL94V-0, BLACK.
CONTACT OVERMOLDS - LCP, UL94V-0, BLACK.
SHELL, CONTACTS AND HOLD DOWNS - COPPER ALLOY.
- ② CONTACTS - GOLD PLATE ON MATING SURFACES,
TIN PLATE ON SOLDER FEET.
HOLD DOWNS - TIN PLATE.
SHELL - NICKEL PLATE, TIN PLATE ON HOLD DOWNS.
- ③ DATUMS AND BASIC DIMENSIONS ESTABLISHED BY CUSTOMER.
- 4. MINIMUM HOST PCB THICKNESS: 1.5.
- ⑤ SEE MSA SPECIFICATION FOR ADDITIONAL PADDLE CARD LAYOUTS COMPATIBLE WITH THIS RECEPTACLE AND FOR OPTIONAL SPLIT CONTACT PAD LAYOUTS FOR THE PADDLE CARD. SPECIFICATION PINOUT MAY ALSO DESIGNATE PAD SEQUENCE DIFFERENT FROM ILLUSTRATION.
- ⑥ POSITIONS DESIGNATED AS "SIGNAL" ARE REQUIRED LOCATIONS FOR HIGH SPEED DIFFERENTIAL PAIR SIGNALING. THESE LOCATIONS MAY ALSO BE USED FOR SUPPORTING SIDEBAND SIGNALS OR OTHER UTILITY PURPOSES. POSITIONS DESIGNATED AS "GROUND" ARE REQUIRED WHEN SUPPORTING HIGH SPEED DIFFERENTIAL SIGNALS. THESE LOCATIONS MAY ALSO BE USED FOR SIDEBAND SIGNALS OR OTHER UTILITY PURPOSES.
- ⑦ COMPONENT AND TRACE KEEP OUT AREA. EACH EDGE 0.15 MIN FROM EDGE OF HOLE.
- ⑧ TAPE AND REEL PACKAGED FOR PICK AND PLACE SURFACE MOUNT PROCESSING. SEE FIGURE 1.
POCKET TAPE WIDTH = 72.



SEE SHEET 5 FOR PART TABLE

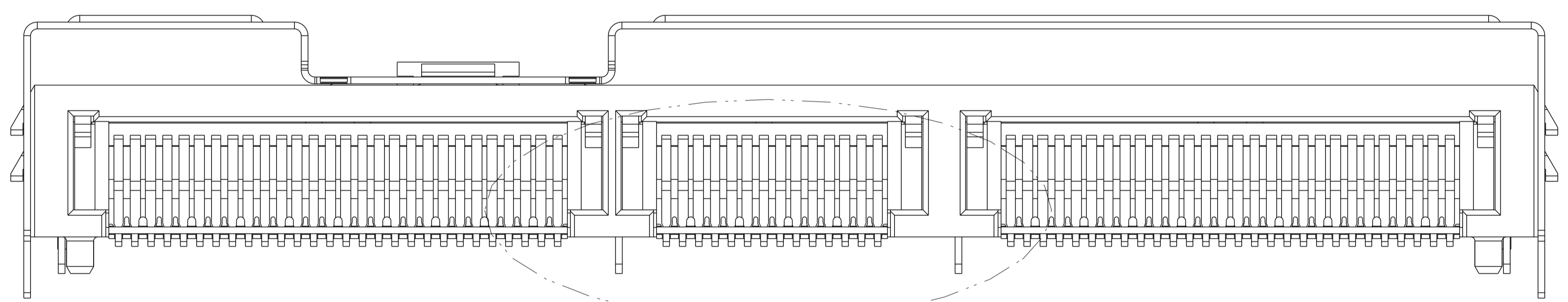
THIS DRAWING IS A CONTROLLED DOCUMENT.		OWN: B. MATTHEWS 26MAR2018	TE Connectivity
		CHK: D. HARMON 26MAR2018	
DIMENSIONS: mm		APVD: D. HARMON 26MAR2018	NAME: RECEPTACLE ASSEMBLY, RIGHT ANGLE, 140 POSITION, SILVER 2.0 PRODUCT SPEC: 108-130021 APPLICATION SPEC: 114-130015
TOLERANCES UNLESS OTHERWISE SPECIFIED: 0 PLC ± 1 PLC ± 2 PLC ± 3 PLC ± 4 PLC ± ANGLES ±		SIZE: A1 CAGE CODE: 00779 DRAWING NO: C=2332205	
MATERIAL: ①		FINISH: ②	RESTRICTED TO: -
CUSTOMER DRAWING		SCALE: 8:1	SHEET 1 OF 5 REV C

REVISIONS				
P.	LTN.	DESCRIPTION	DATE	APVD.
-	-	SEE SHEET 1	-	-

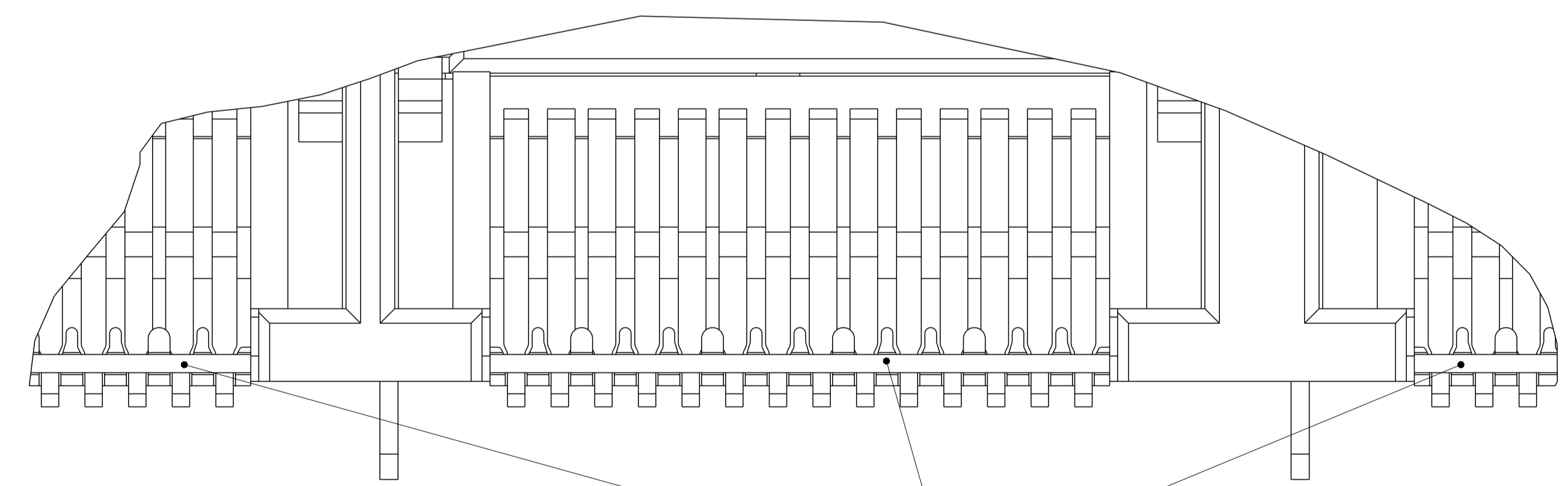


SCALE 5:1
 2332205-1 TO 1-2332205-19
 WITHOUT THE TWO INNER SLOTS

TWO INNER SLOTS ONLY FOR
 2-2332205-1, 2-2332205-2
 AND 2-2332205-3



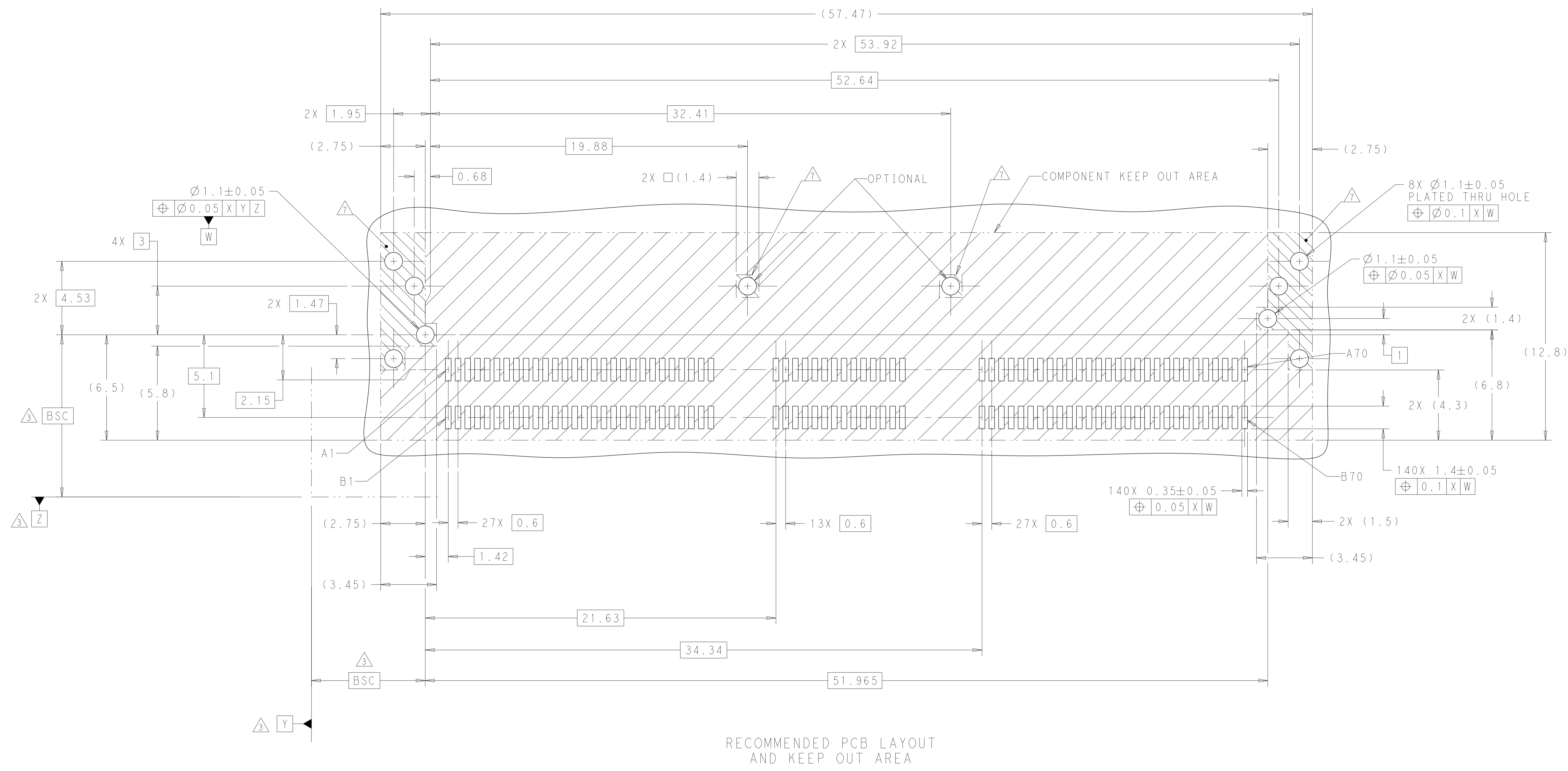
SEE DETAIL C
 SECTION H-H



HEAT STAKING FOR
 ALL PART NUMBERS
 DETAIL C
 SCALE 16:1

THIS DRAWING IS A CONTROLLED DOCUMENT.		DWN B. MATTHEWS 26MAR2018 CHK D. HARMON 26MAR2018 APVD D. HARMON 26MAR2018	TE Connectivity NAME RECEPTACLE ASSEMBLY, RIGHT ANGLE, 140 POSITION, SILVER 2.0
DIMENSIONS: mm 	TOLERANCES UNLESS OTHERWISE SPECIFIED: 0 PLC ± 1 PLC ± 2 PLC ± 3 PLC ± 4 PLC ± ANGLES ± FINISH	PRODUCT SPEC 108-130021 APPLICATION SPEC 114-130015 WEIGHT - CUSTOMER DRAWING	

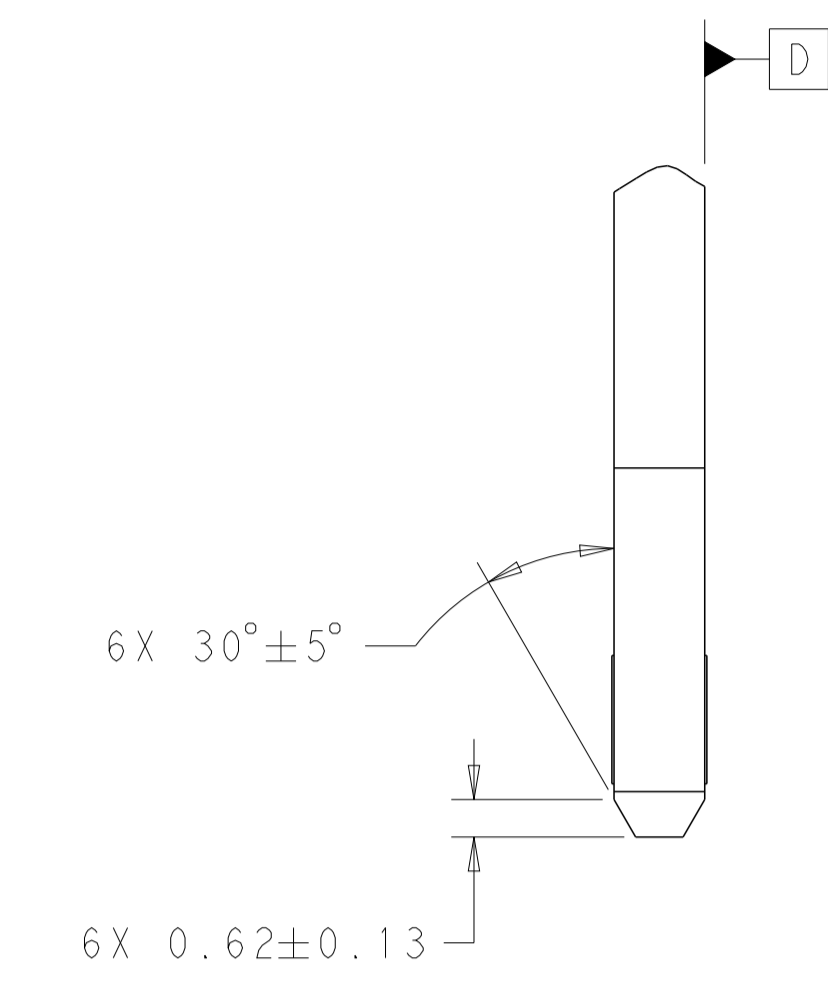
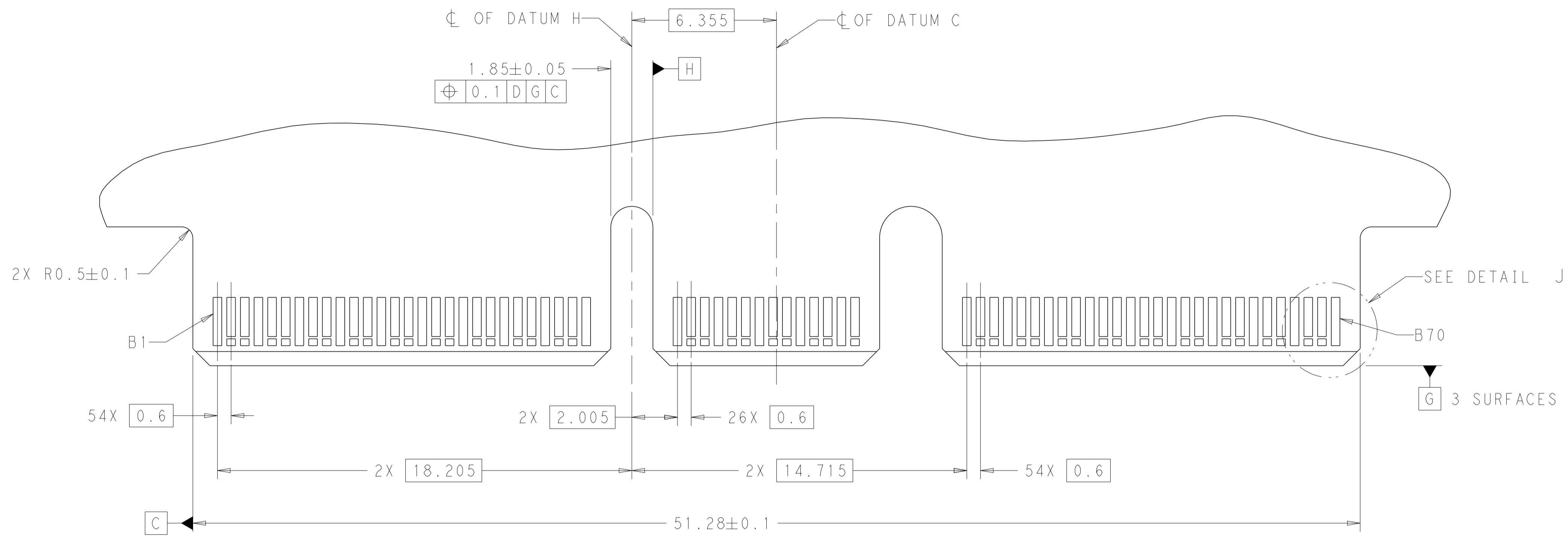
REVISIONS				
P	LTN	DESCRIPTION	DATE	APVD
-	-	SEE SHEET 1	-	-



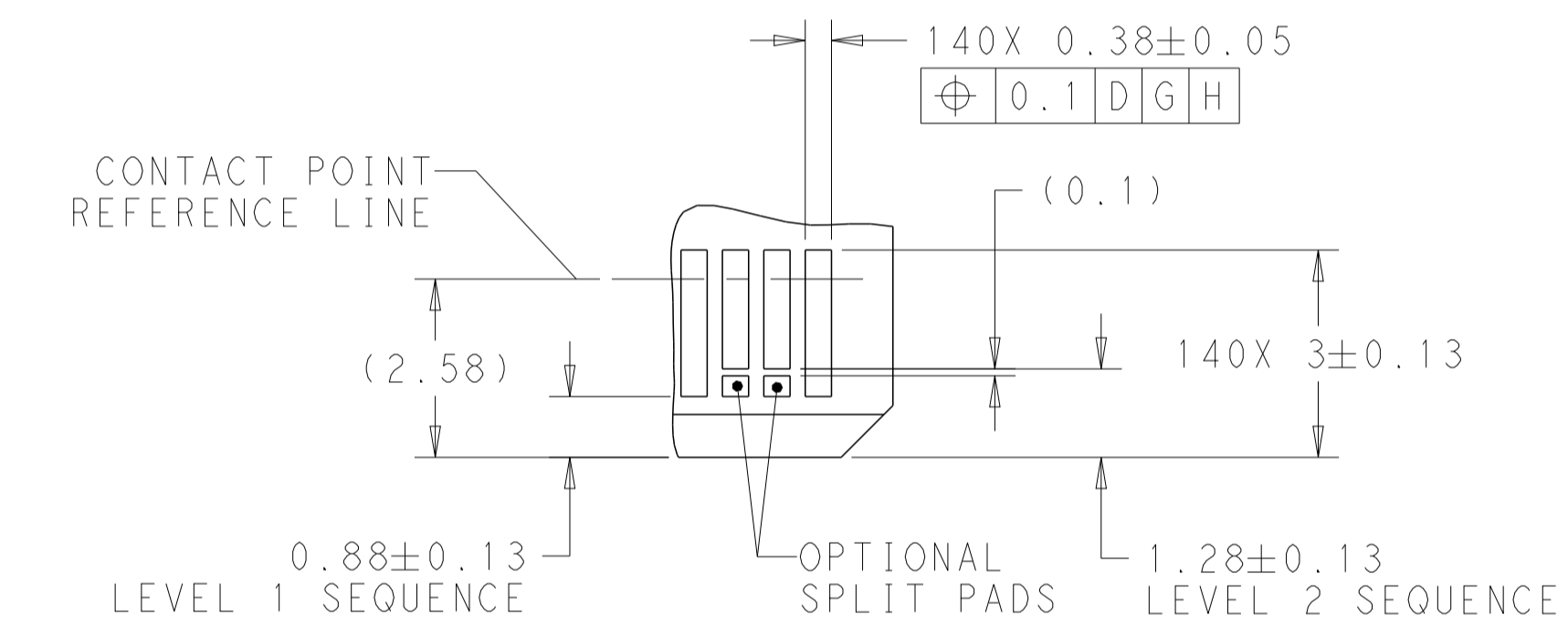
RECOMMENDED PCB LAYOUT
AND KEEP OUT AREA

THIS DRAWING IS A CONTROLLED DOCUMENT.		DWN B. MATTHEWS 26MAR2018 CHK D. HARMON 26MAR2018 APVD D. HARMON 26MAR2018	TE Connectivity
DIMENSIONS: mm	TOLERANCES UNLESS OTHERWISE SPECIFIED: 0 PLC ± 1 PLC ± 2 PLC ± 3 PLC ± 4 PLC ± ANGLES ± FINISH	NAME RECEPTACLE ASSEMBLY, RIGHT ANGLE, 140 POSITION, SILVER 2.0 PRODUCT SPEC 108-130021 APPLICATION SPEC 114-130015 WEIGHT -	
MATERIAL		SIZE CAGE CODE DRAWING NO A100779C=2332205	RESTRICTED TO SCALE 8:1 SHEET 3 OF 5 REV C

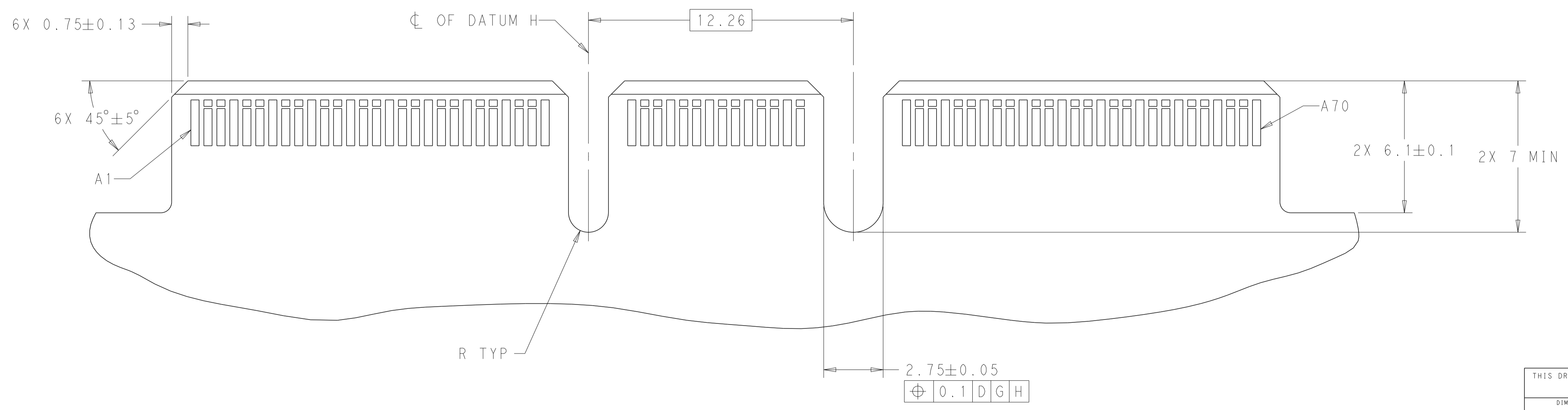
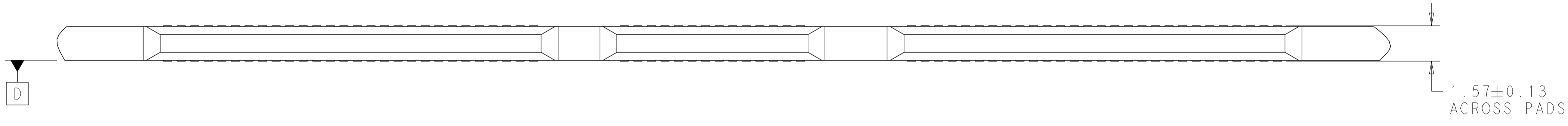
REVISIONS				
P	LTN	DESCRIPTION	DATE	APVD
-	-	SEE SHEET 1	-	-



RECOMMENDED PCB OUTLINE DIMENSIONS:
 TOLERANCE VALUES ARE CRITICAL. PLEASE BE SURE TO DESIGNATE
 TOLERANCE TO PCB SUPPLIER TO ENSURE OPTIMIZED FUNCTIONALITY.



DETAIL J
 SCALE 10:1



THIS DRAWING IS A CONTROLLED DOCUMENT.		OWN: B. MATTHEWS 26MAR2018	TE Connectivity
DIMENSIONS: mm		CHK: D. HARMON 26MAR2018	
TOLERANCES UNLESS OTHERWISE SPECIFIED:		APVD: D. HARMON 26MAR2018	NAME: RECEPTACLE ASSEMBLY, RIGHT ANGLE, 140 POSITION, SILVER 2.0
0 PLC ±	1 PLC ±	PRODUCT SPEC 108-130021	SIZE: A1
2 PLC ±	3 PLC ±	APPLICATION SPEC 114-130015	CAGE CODE: C=2332205
4 PLC ±	ANGLES ±	WEIGHT	RESTRICTED TO
MATERIAL	FINISH	CUSTOMER DRAWING	SCALE: 8:1 SHEET 4 OF 5 REV C

REVISIONS				
P.	LTN	DESCRIPTION	DATE	APVD
-	-	SEE SHEET 1	-	-

TABLE 1: CONNECTOR CONTACT IDENTIFICATION \triangle 5/6

CONTACT NUMBER	SIDE A	SIDE B	CONTACT NUMBER	SIDE A	SIDE B
1	GROUND	GROUND	36	SIGNAL	SIGNAL
2	SIGNAL	SIGNAL	37	SIGNAL	SIGNAL
3	SIGNAL	SIGNAL	38	GROUND	GROUND
4	GROUND	GROUND	39	SIGNAL	SIGNAL
5	SIGNAL	SIGNAL	40	SIGNAL	SIGNAL
6	SIGNAL	SIGNAL	41	GROUND	GROUND
7	GROUND	GROUND	42	GROUND	GROUND
8	SIGNAL	SIGNAL	43	GROUND	GROUND
9	SIGNAL	SIGNAL	44	SIGNAL	SIGNAL
10	GROUND	GROUND	45	SIGNAL	SIGNAL
11	SIGNAL	SIGNAL	46	GROUND	GROUND
12	SIGNAL	SIGNAL	47	SIGNAL	SIGNAL
13	GROUND	GROUND	48	SIGNAL	SIGNAL
14	SIGNAL	SIGNAL	49	GROUND	GROUND
15	SIGNAL	SIGNAL	50	SIGNAL	SIGNAL
16	GROUND	GROUND	51	SIGNAL	SIGNAL
17	SIGNAL	SIGNAL	52	GROUND	GROUND
18	SIGNAL	SIGNAL	53	SIGNAL	SIGNAL
19	GROUND	GROUND	54	SIGNAL	SIGNAL
20	SIGNAL	SIGNAL	55	GROUND	GROUND
21	SIGNAL	SIGNAL	56	SIGNAL	SIGNAL
22	GROUND	GROUND	57	SIGNAL	SIGNAL
23	SIGNAL	SIGNAL	58	GROUND	GROUND
24	SIGNAL	SIGNAL	59	SIGNAL	SIGNAL
25	GROUND	GROUND	60	SIGNAL	SIGNAL
26	SIGNAL	SIGNAL	61	GROUND	GROUND
27	SIGNAL	SIGNAL	62	SIGNAL	SIGNAL
28	GROUND	GROUND	63	SIGNAL	SIGNAL
29	GROUND	GROUND	64	GROUND	GROUND
30	SIGNAL	SIGNAL	65	SIGNAL	SIGNAL
31	SIGNAL	SIGNAL	66	SIGNAL	SIGNAL
32	GROUND	GROUND	67	GROUND	GROUND
33	SIGNAL	SIGNAL	68	SIGNAL	SIGNAL
34	SIGNAL	SIGNAL	69	SIGNAL	SIGNAL
35	GROUND	GROUND	70	GROUND	GROUND

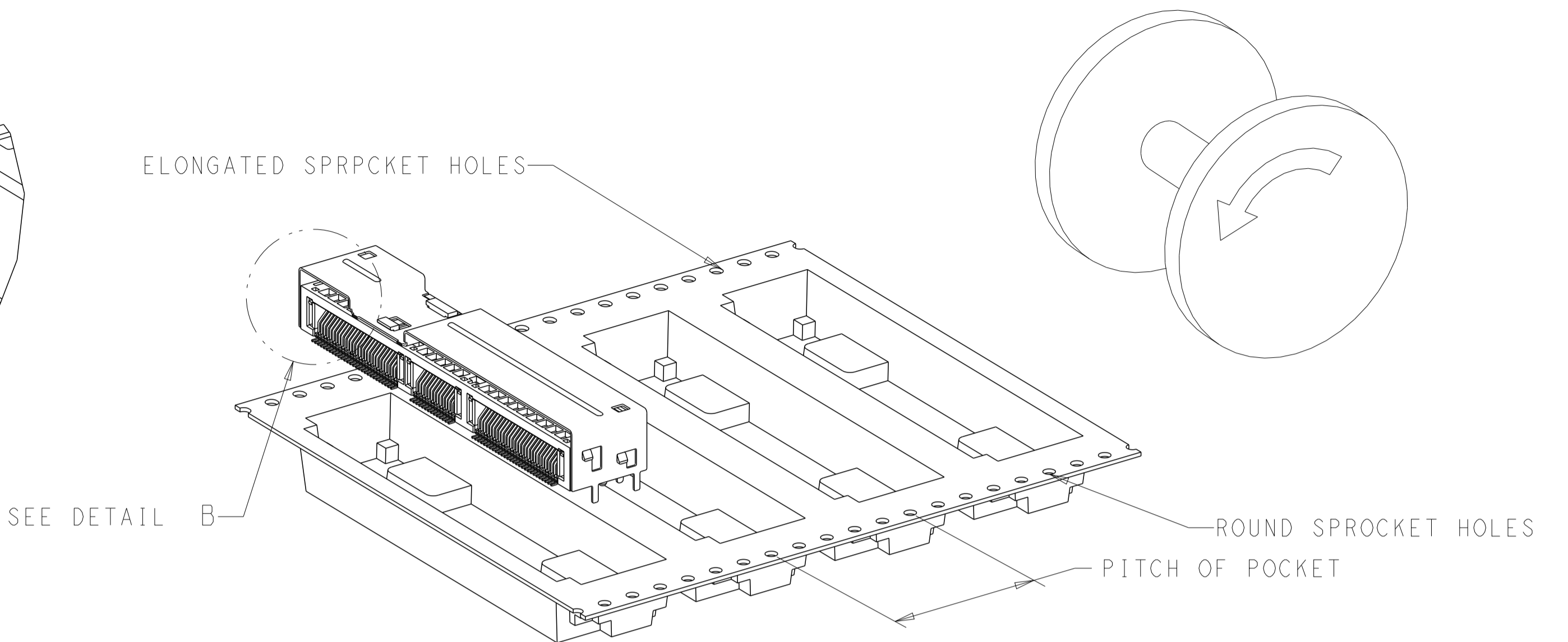
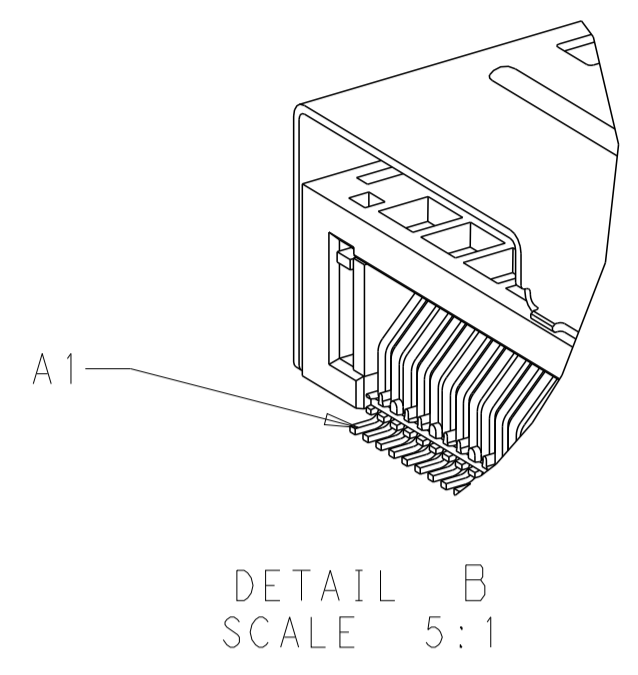


FIGURE 1 \triangle
DIRECTION OFF TOP OF REEL
FOR USER UNREELING
FOR 2332205-1 TO 2332205-9
2-2332205-1 TO 2-2332205-3
SCALE 2:1

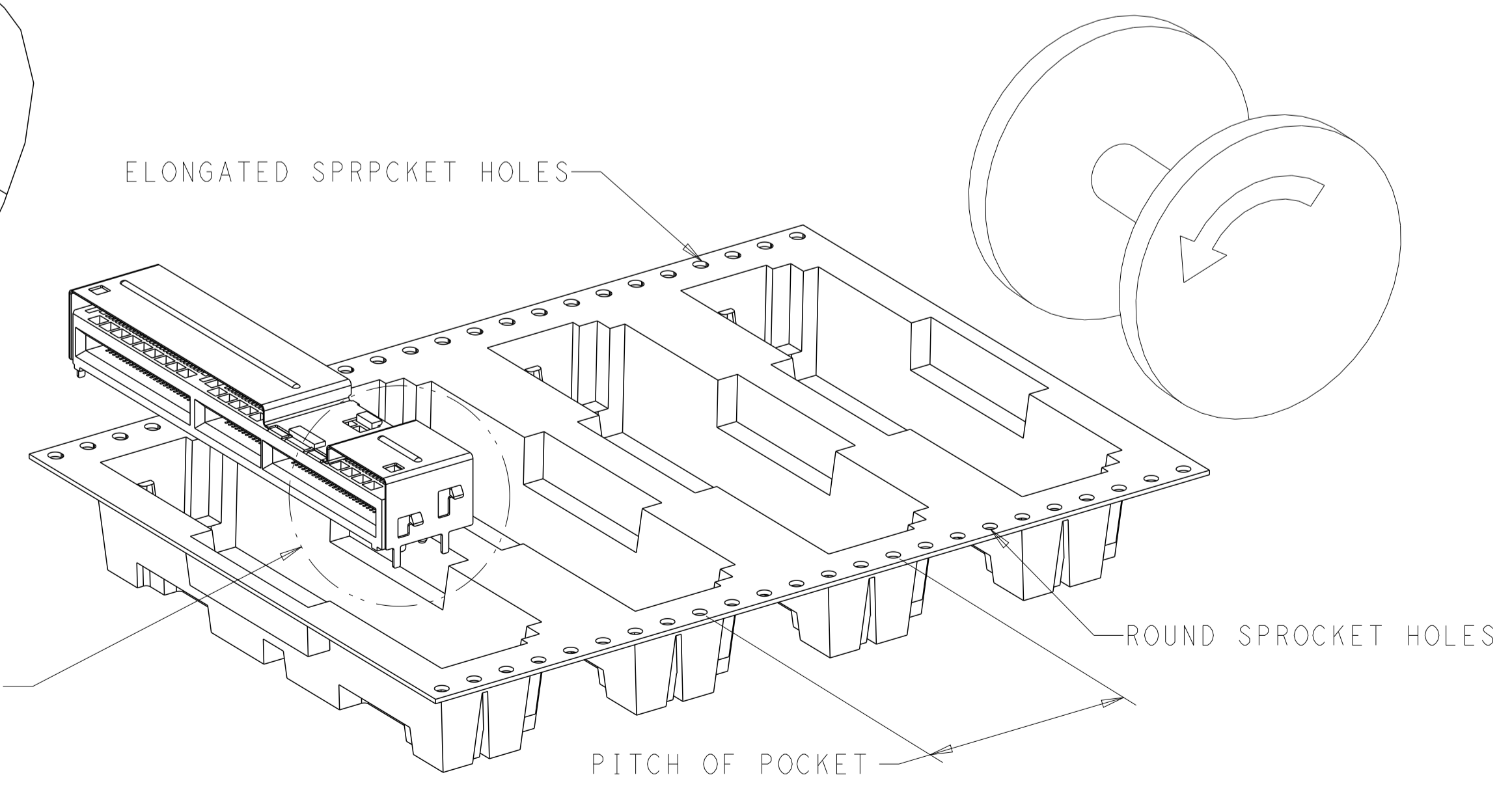
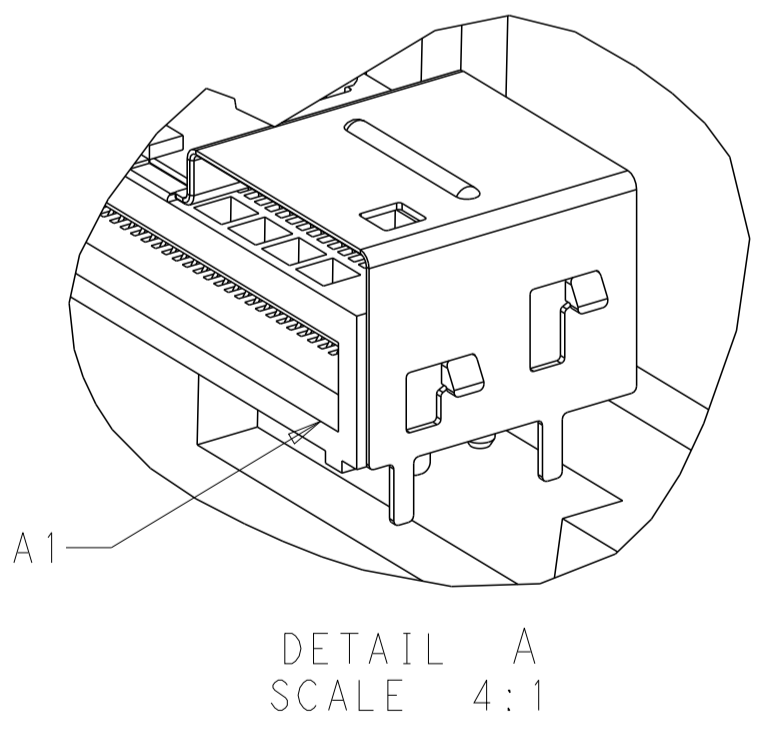


FIGURE 2 \triangle
DIRECTION OFF TOP OF REEL
FOR USER UNREELING
FOR 1-2332205-1 TO 1-2332205-9
SCALE 2:1

Y	1.8 +0.2/-0.1	ALL	0.76 μ m Au 0.38 μ m Au FLASH Au/PdNi	20	350	200 100 50	2-2332205-3 2-2332205-2 2-2332205-1
N	1.2 \pm 0.2	ENDS	0.76 μ m Au 0.38 μ m Au FLASH Au/PdNi	24	300	200 100 50	1-2332205-9 1-2332205-8 1-2332205-7
N	1.8 +0.2/-0.1	ENDS	0.76 μ m Au 0.38 μ m Au FLASH Au/PdNi	24	300	200 100 50	1-2332205-6 1-2332205-5 1-2332205-4
N	1.8 +0.2/-0.1	ALL	0.76 μ m Au 0.38 μ m Au FLASH Au/PdNi	24	300	200 100 50	1-2332205-3 1-2332205-2 1-2332205-1
N	1.2 \pm 0.2	ENDS	0.76 μ m Au 0.38 μ m Au FLASH Au/PdNi	20	350	200 100 50	2332205-9 2332205-8 2332205-7
N	1.8 +0.2/-0.1	ENDS	0.76 μ m Au 0.38 μ m Au FLASH Au/PdNi	20	350	200 100 50	2332205-6 2332205-5 2332205-4
N	1.8 +0.2/-0.1	ALL	0.76 μ m Au 0.38 μ m Au FLASH Au/PdNi	20	350	200 100 50	2332205-3 2332205-2 2332205-1
INNER SLOTS	A	HOLD DOWNS	PLATING	POCKET TAPE PITCH	REEL QUANTITY	MATING CYCLES	PART NUMBER

THIS DRAWING IS A CONTROLLED DOCUMENT.

APVD: B. MATTHEWS, 26MAR2018
CHK: D. HARMON, 26MAR2018
APVD: D. HARMON, 26MAR2018

NAME: RECEPTACLE ASSEMBLY, RIGHT ANGLE, 140 POSITION, SILVER 2.0

PRODUCT SPEC: 108-130021
APPLICATION SPEC: 114-130015

SIZE: A1
CAGE CODE: 00779
DRAWING NO: 2332205

RESTRICTED TO: C

CUSTOMER DRAWING

SCALE: 8:1 SHEET 5 OF 5 REV C