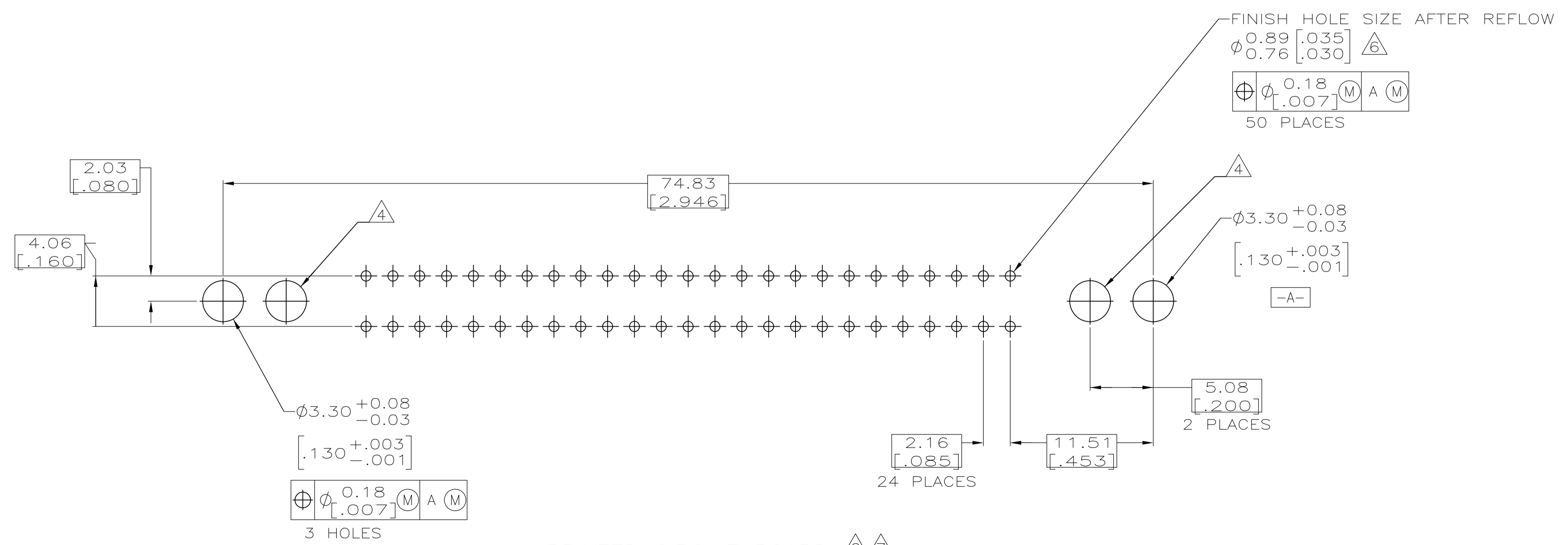
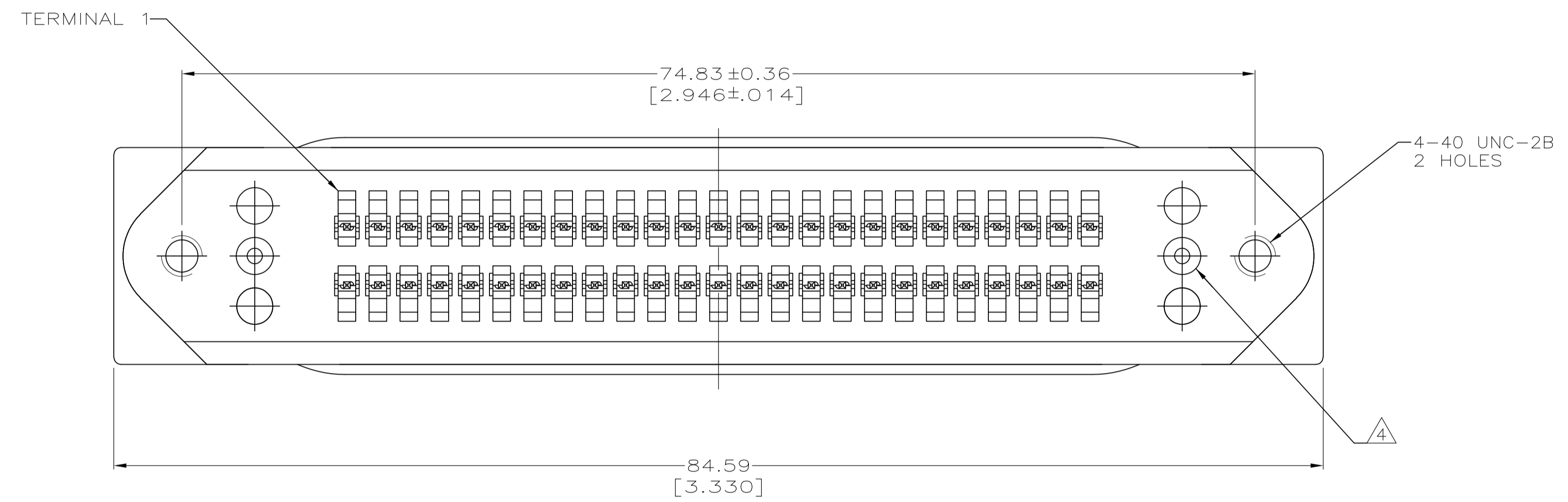
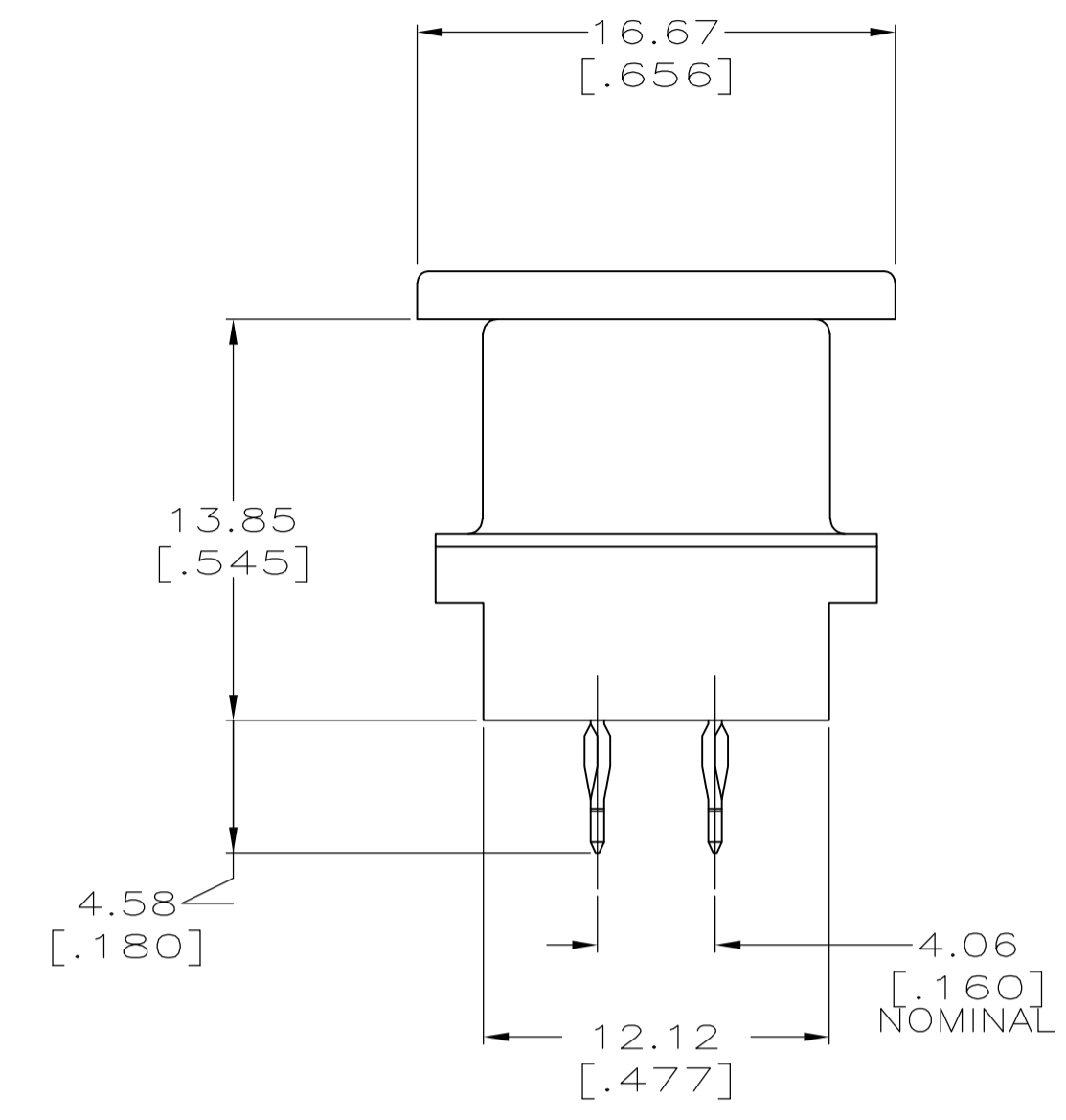
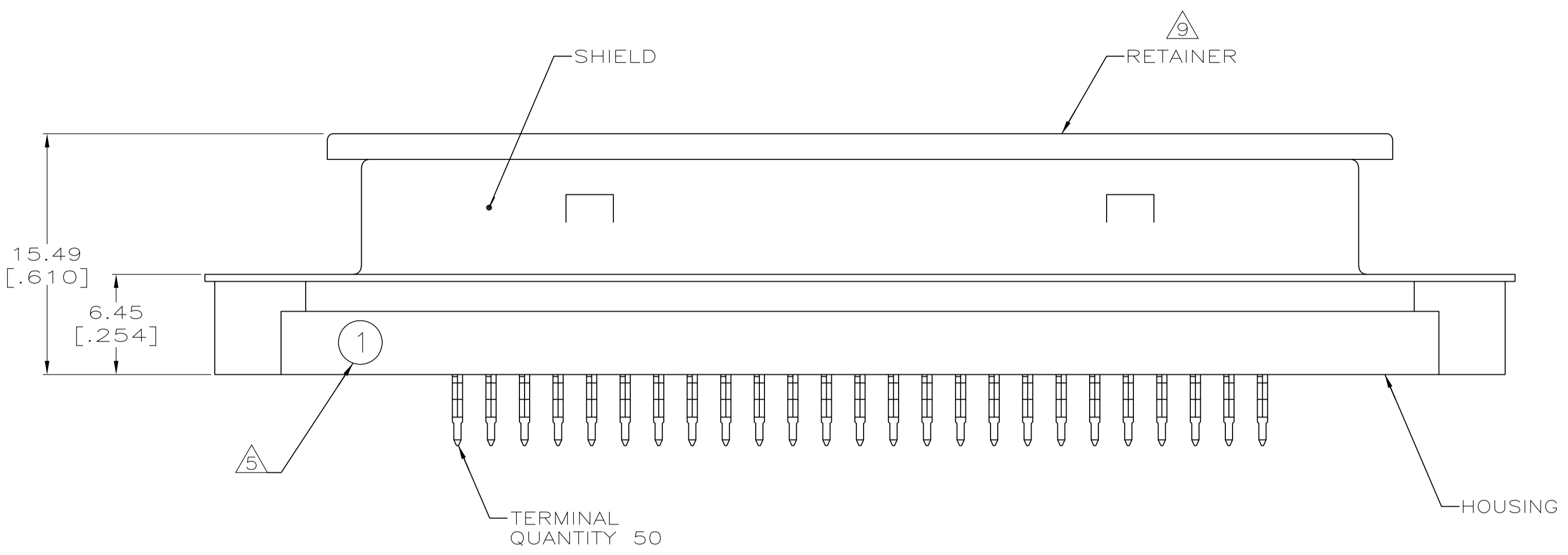


| LOC | | DIST | | REVISIONS | | | |
|-----|-----|---------------|---------|-----------|------|--|--|
| P | LTR | DESCRIPTION | DATE | DN | APVD | | |
| E | PER | ECO-12-012349 | 14MAR13 | BL | AC | | |



PRINTED CIRCUIT BOARD MOUNTING DIMENSIONS

- 1. DIMENSIONS ARE MAXIMUM UNLESS OTHERWISE SPECIFIED.
- 2. MATERIAL: HOUSING - POLYESTER, BLACK. TERMINAL - COPPER ALLOY PLATED WITH 0.76μm [.000030] MINIMUM GOLD ON MATING SURFACE AND: 557984-1 - 0.13μm [.000005] MINIMUM GOLD ON ACTION PIN AREA. 557984-2 - 2.54μm [.000100] MINIMUM TIN-LEAD ON ACTION PIN AREA. OVER 1.27μm [.000050] MINIMUM NICKEL UNDERPLATE OVER ENTIRE TERMINAL. RETAINER - POLYETHYLENE, NATURAL. SHIELD - CARBON STEEL, PLATED BRIGHT NICKEL 5.08μm [.000200] MINIMUM.
- 3. THE CONTACT SURFACES OF THE TERMINALS ARE COATED WITH LUBRICANT.
- 4. OPTIONAL MOUNTING HOLE FOR SELF-TAPPING SCREW.
- 5. "1" ON HOUSING INDICATES LOCATION OF TERMINAL 1.
- 6. ALL PLATED-THRU HOLES SHALL BE PER AMP SPEC 115-6072.
- 7. 50 LBS. MINIMUM FORCE REQUIRED TO UNSEAT CONNECTOR FROM PRINTED CIRCUIT BOARD WITHOUT USE OF HARDWARE.
- 8. CENTER-TO-CENTER SPACING OF TERMINALS IS 2.16 [.085] NOMINAL.
- 9. RETAINER MUST REMAIN INSTALLED UNTIL AFTER CONNECTOR HAS BEEN INSERTED INTO PCB HOLES.

| | | |
|----------|--------------------|-------------|
| OBSOLETE | TIN-LEAD | 557984-2 |
| | GOLD | 557984-1 |
| | ACTION PIN PLATING | PART NUMBER |

| | | | | |
|--|--|------------------|-------------------------------|----------------|
| THIS DRAWING IS A CONTROLLED DOCUMENT. | | DIN | 144PR93 | JOEL H. WOOTEN |
| | | CHK | 224PR93 | C. WHITT |
| | | APVD | 264PR93 | R. RAHERTY |
| | | NAME | RECEPTACLE ASSEMBLY | |
| | | PRODUCT SPEC | 50 POSITION SHIELD ACTION PIN | |
| | | APPLICATION SPEC | CHAMP | |
| | | SIZE | CAGE CODE | DRAWING NO. |
| | | 114-6027 | A1 | 00779 |
| | | WEIGHT | 557984 | |
| | | CUSTOMER DRAWING | SCALE | 1:1 |
| | | SHEET | 1 | OF 1 |
| | | REV | E | |