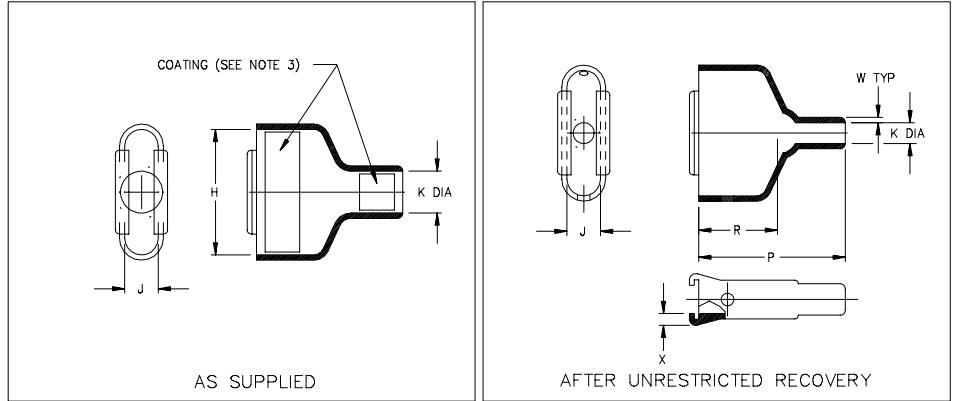


Thermofit<sup>®</sup> Molded Parts  
 Specification Control Drawing  
 Limited Distribution

Part Number : 214A042-25/225  
 Description : Boot, Rectangular,  
 Subminiature, Straight

NOTES

- All dimensions are in  $\frac{\text{inches}}{[\text{millimeters}]}$  ;  $\frac{\text{lbs}}{[\text{gms}]}$
- Dimensions appearing in table are as follows:  
 a - As Supplied  
 b - After Unrestricted Recovery
- Coating is optional. As supplied dimensions appearing in table are for uncoated parts. When coating is added, entry diameters will be reduced by .06 max.



PART NUMBER	H		J		K		P	R	W	X	This Boot Fits					
	Min	±5%	Min	±5%	Min	Max					±10%	±10%	±20%	±20%	Canon/Cinch	Amphenol Series 17
	a	b	a	b	a	b					b	b	b	b		
214A042-25/225	2.36 [60,0]	2.31 [58,7]	.59 [15,0]	.42 [10,7]	.75 [19,0]	.34 [8,5]	2.10 [53,3]	1.12 [28,4]	.04 [1,0]	.12 [3,0]	DC-37	XX37X				

**If this document is printed it becomes uncontrolled.  
 Check for the latest revision.**

**Raychem**

RAYCHEM CORPORATION  
 300 CONSTITUTION DRIVE  
 MENLO PARK, CALIFORNIA 94025

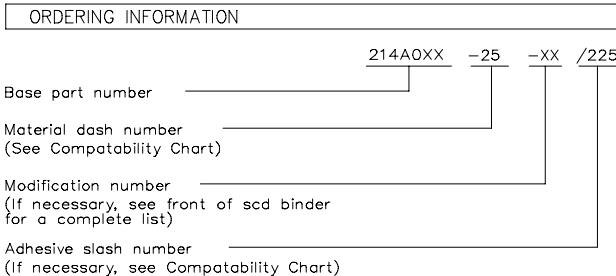
Revision : A  
 Date : 10/8/97

Part Number : 214A042-25/225  
 Description : Boot, Rectangular,  
 Subminiature, Straight

Thermofit<sup>®</sup> Molded Parts  
 Specification Control Drawing  
 Limited Distribution

Part Number : 214A042-25/225  
 Description : Boot, Rectangular,  
 Subminiature, Straight

COMPATABILITY CHART					
MATERIAL DASH NO.	MATERIAL DESCRIPTION	RT SPEC	COATING SLASH NO.	COATING S NO.	COATING DESCRIPTION
-25	Elastomer, Fluid Resistant	RT-1325	/225	S-1026	Adhesive



THIS DRAWING IS SUBJECT TO CHANGE WITHOUT NOTICE; CONSULT YOUR  
 NEAREST FIELD REPRESENTATIVE FOR CURRENT REVISION

**Raychem**

RAYCHEM CORPORATION  
 300 CONSTITUTION DRIVE  
 MENLO PARK, CALIFORNIA 94025

Revision : A  
 Date : 10/8/97

Part Number : 214A042-25/225  
 Description : Boot, Rectangular,  
 Subminiature, Straight  
 CAD FILE MP97156