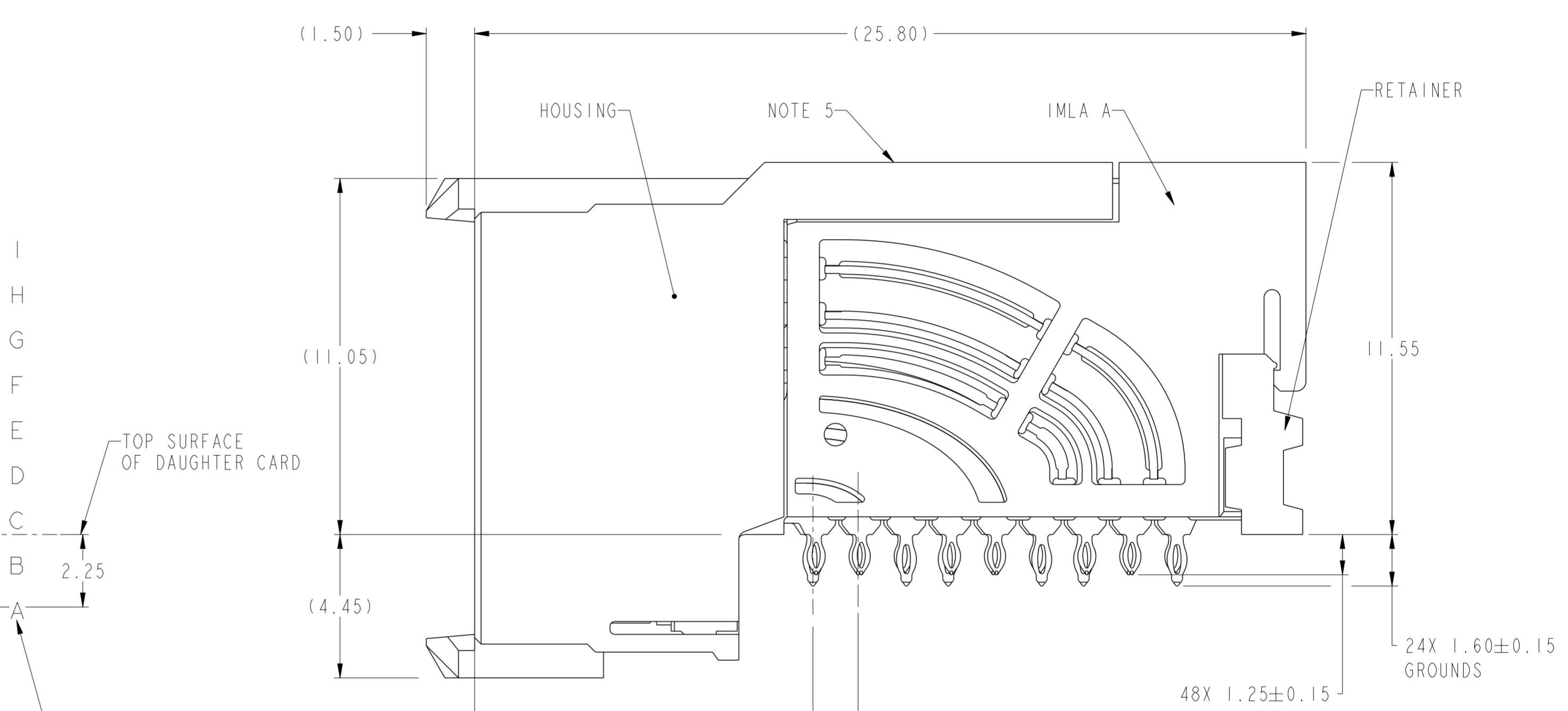
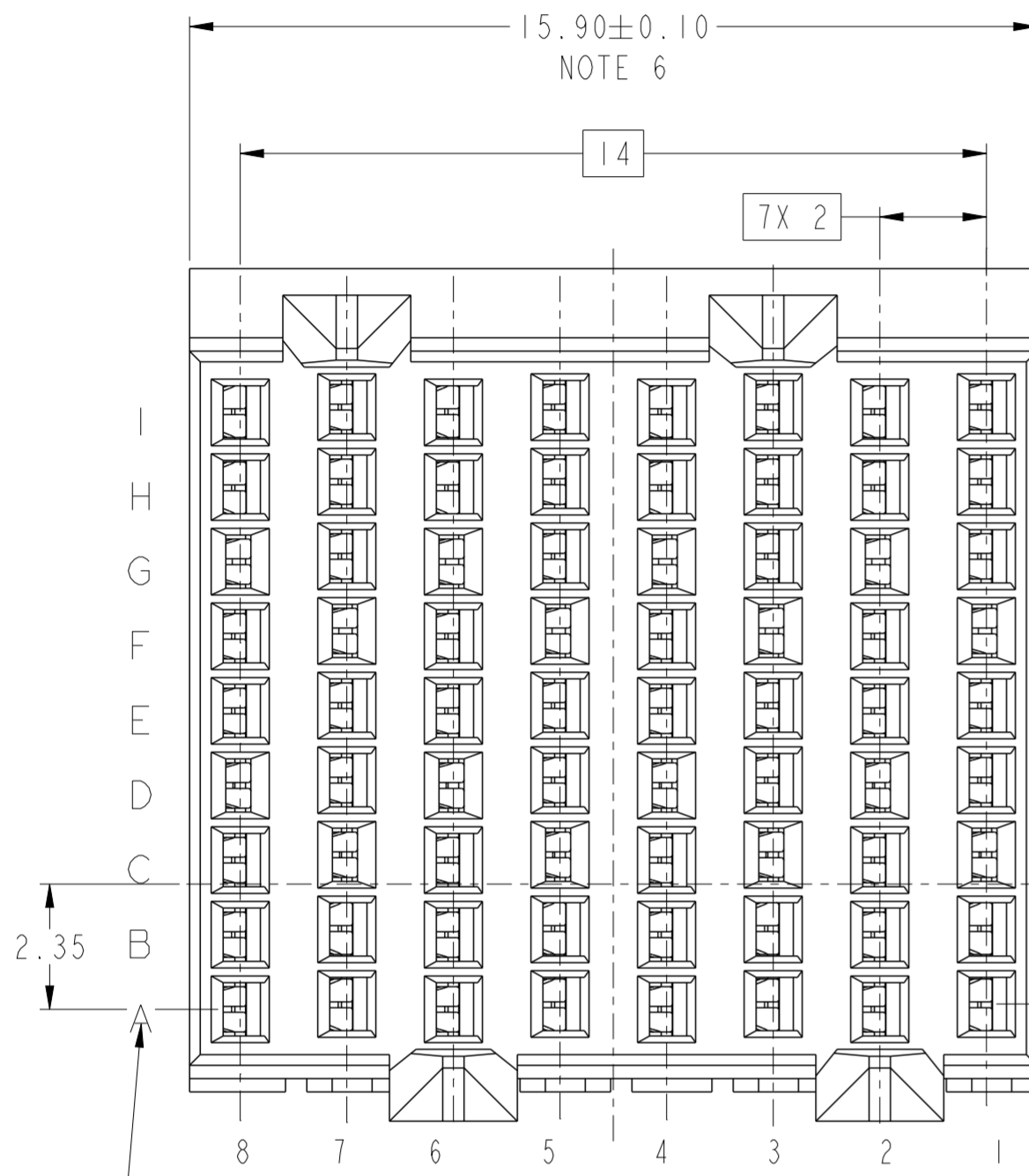


PRODUCT NUMBER
SEE SHEET 3



TOP SURFACE OF DAUGHTER CARD

2.25

10.50ϕ OF EVEN COLUMNS
10.60ϕ OF ODD COLUMNS

ODD COLUMN, CONTACT ROW ID

EVEN COLUMN, CONTACT ROW ID
ODD AND EVEN COLUMNS ARE OFFSET

Amphenol
FCi

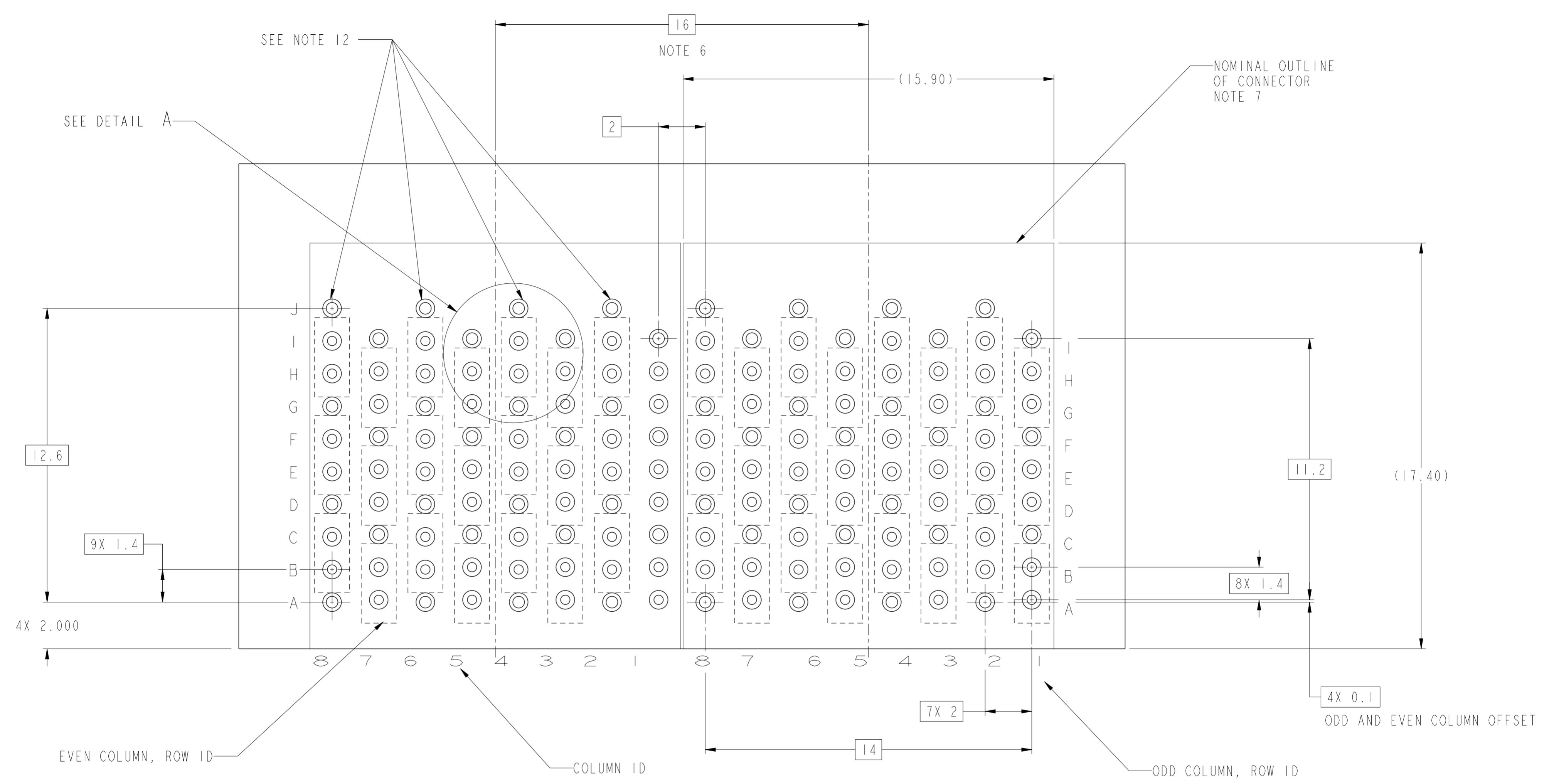
© 2016 AFCI

spec ref	---	dr	Lin-Soo Ngwe	2013/03/20	projection	MM	size	A2	scale	1:1												
tolerance std	ASME Y14.5M	eng	Terry Luo	2020/09/04			ecn no	ELX-DG-38252-1	rel level	Released												
TOLERANCES UNLESS OTHERWISE SPECIFIED		chr	-	product family			AirMax VSE															
surface	<table border="1"> <tr> <td>linear</td> <td>0.X</td> <td>±.3</td> </tr> <tr> <td></td> <td>0.XX</td> <td>±.10</td> </tr> <tr> <td></td> <td>0.XXX</td> <td>±.050</td> </tr> <tr> <td>angular</td> <td>0°</td> <td>±°</td> </tr> </table>	linear	0.X	±.3				0.XX		±.10		0.XXX	±.050	angular	0°	±°	appr	Heaven Cen	2020/09/17	title	AIRMAX VS2 R.A. RECEPTACLE	dwg no
linear	0.X	±.3																				
	0.XX	±.10																				
	0.XXX	±.050																				
angular	0°	±°																				
		Amphenol FCi		cat. no.		Product - Customer Drw		sheet 1 of 3														

PDS: Rev :D

STATUS:Released

Printed: Sep 18, 2020

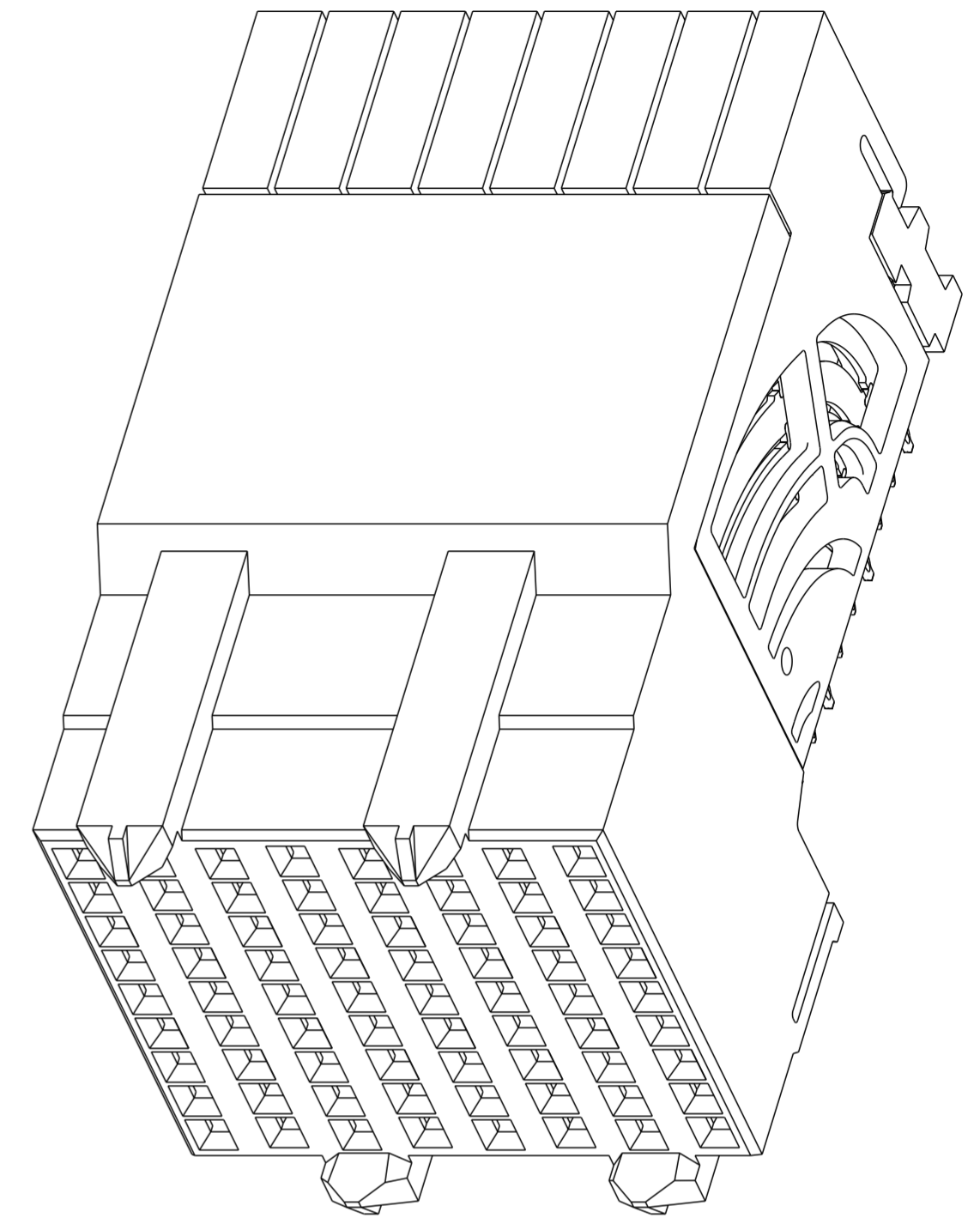


RECOMMENDED PCB LAYOUT
FOR DIFFERENTIAL APPLICATIONS
COMPONENT SIDE
(TWO ADJACENT FOOTPRINTS SHOWN)
NOTES 6, 8, & 11

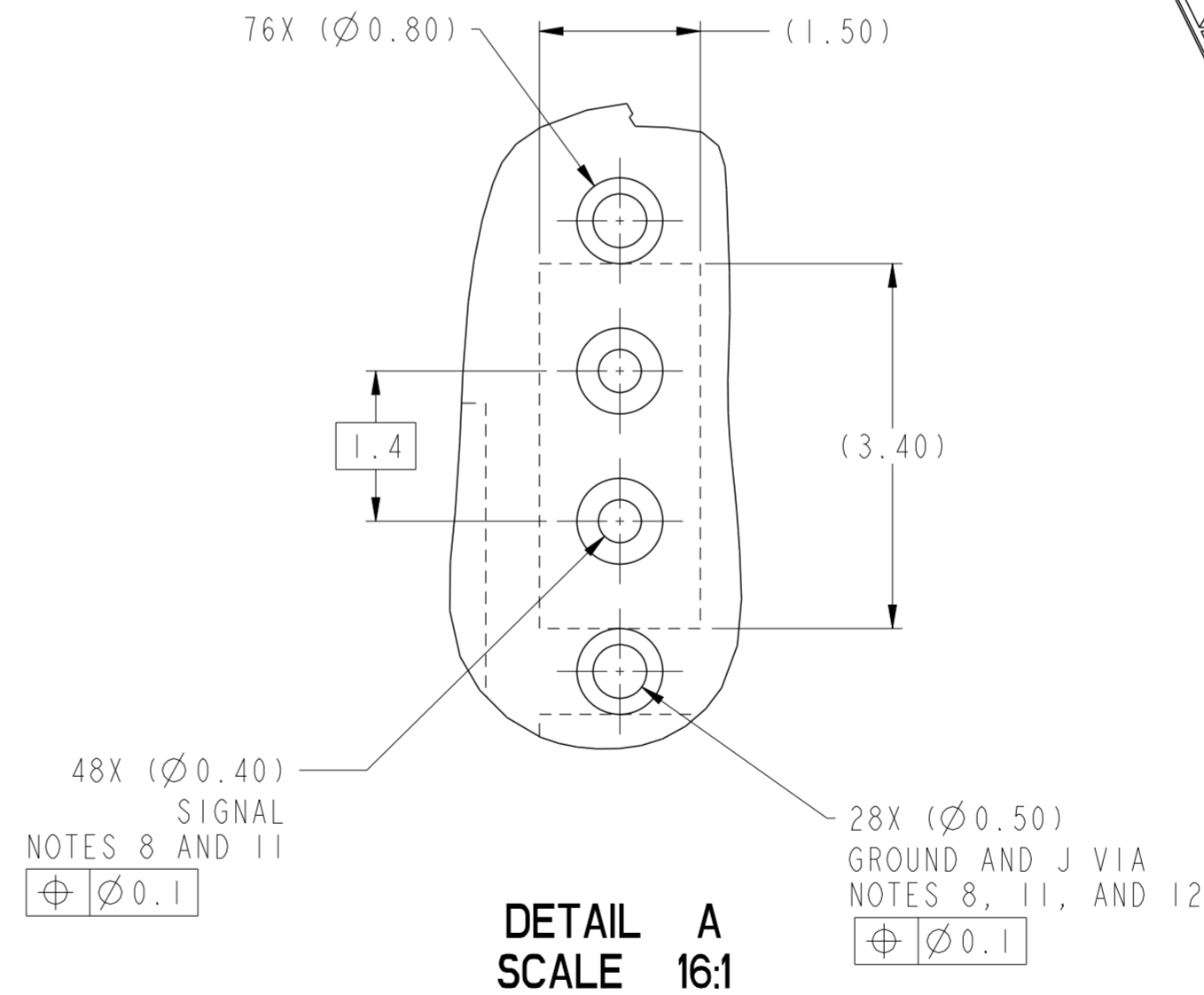
spec ref	---	dr	Lin-Soo Ngwe	2013/03/20	projection	MM	size	A2	scale	1:1	
tolerance std	ASME Y14.5M	eng	Terry Luo	2020/09/04			ecn no	ELX-DG-38252-1			
TOLERANCES UNLESS OTHERWISE SPECIFIED		chr	-	rel level			Released				
		appr	Heaven Cen	2020/09/17			product family		AirMax VSE		
surface	-	linear	0.X	±.3		title		AIRMAX VS2 R.A. RECEPTACLE		rev no 10124756 rev D	
			0.XX	±.10		cat. no.		-			Product - Customer Drw
			0.XXX	±.050		sheet 2 of 3					
		angular	0°	±°							

PRODUCT NUMBER	PRESS-FIT TAIL PLATING TYPE
10124756-101	TIN/LEAD ALLOY OVER NICKEL
10124756-101LF	TIN OVER NICKEL (LEAD FREE)

- ① - CONNECTOR MATERIALS:
HOUSING: HIGH TEMP THERMOPLASTIC, NATURAL, UL94-V0
IMLA PLASTIC: HIGH TEMP THERMOPLASTIC, BLACK, UL94-V0
CONTACT: COPPER ALLOY
ORGANIZER: HIGH TEMP THERMOPLASTIC, WHITE, UL94-V0
- 2 - CONTACT PLATING:
SEPARABLE INTERFACE:
PERFORMANCE BASED PLATING, QUALIFIED TO MEET THE REQUIREMENTS OF FCI PRODUCT SPECIFICATION GS-12-0956 INCLUDING TELCORDIA GR-1217-CORE (NOVEMBER 1995) CENTRAL OFFICE TEST SEQUENCE
- PRESS-FIT TAILS: SEE TABLE
- 3 - PRODUCT SPECIFICATION: GS-12-0956
- 4 - APPLICATION SPECIFICATION: GS-20-0305.
- ⑤ - PRODUCT MARKING, (PART NUMBER & LOT CODE), ON THIS SURFACE.
- ⑥ - THE MINIMUM CENTERLINE SPACING BETWEEN ADJACENT MODULES IS 16.0 MM.
- ⑦ - CONNECTOR OUTLINE MAY BE SCREEN PRINTED ONTO CUSTOMER PCB TO BE USED AS A GUIDE FOR MANUAL CONNECTOR PLACEMENT.
- ⑧ - REFER TO CUSTOMER DRAWING 10104444 FOR INFORMATION ON PCB HOLE DIAMETERS AND PLATING OPTIONS
- 9 - LEAD FREE PRODUCT MEETS THE EUROPEAN UNION DIRECTIVES & OTHER COUNTRY REGULATIONS AS DESCRIBED IN GS-22-008
- 10 - PACKAGING MEETS GS-14-920 LEAD FREE LABELING SPECIFICATION.
- ⑪ - GROUND CONTACTS (C,F, AND I IN ODD COLUMNS AND A, D, AND G, EVEN COLUMNS) REQUIRE (Ø0.500) FINISHED HOLES. SIGNAL LOCATIONS REQUIRE (Ø0.400) FINISHED HOLES.
- ⑫ - THESE OUTER VIAS (J) ARE OPTIONAL. WHILE NO CONNECTOR EONS ARE PRESSED INTO THESE HOLES WE RECCOMEND (Ø0.500) FINISHED HOLES AT THESE LOCATIONS TO PROVIDE GROUND SYMMETRY THROUGH THE PCB.



10124756-101 OR -101LF



spec ref	---	dr	Lin-Soo Ngwe	2013/03/20	projection	MM	size	A2	scale	4:1
tolerance std	ASME Y14.5M	eng	Terry Luo	2020/09/04			ecn no	ELX-DG-38252-1	rel level Released	
TOLERANCES UNLESS OTHERWISE SPECIFIED		chr	-	product family						
		appr	Heaven Cen	2020/09/17						
surface	✓	Amphenol FCI			title AIRMAX VS2 R.A. RECEPTACLE ASS'Y, 3 PAIR, 72 POS, 8 IMLA, 16MM, Small PF, GXT+		dwg no 10124756	rev D		
					cat. no.	Product - Customer Drw		sheet 3 of 3		

PDS: Rev :D

STATUS:Released

Printed: Sep 18, 2020

Amphenol FCI

© 2016 APCI