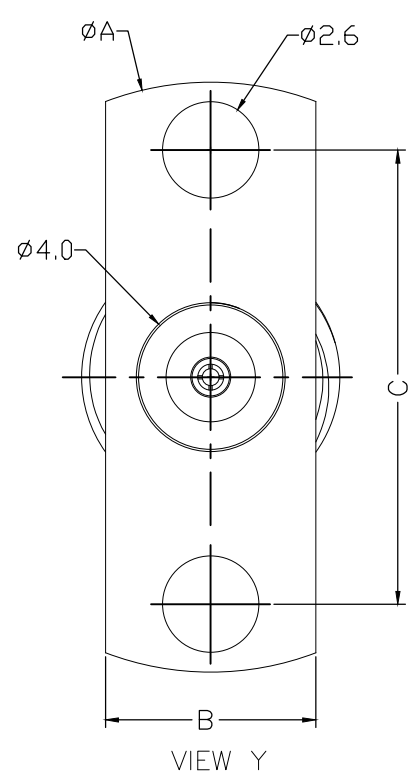
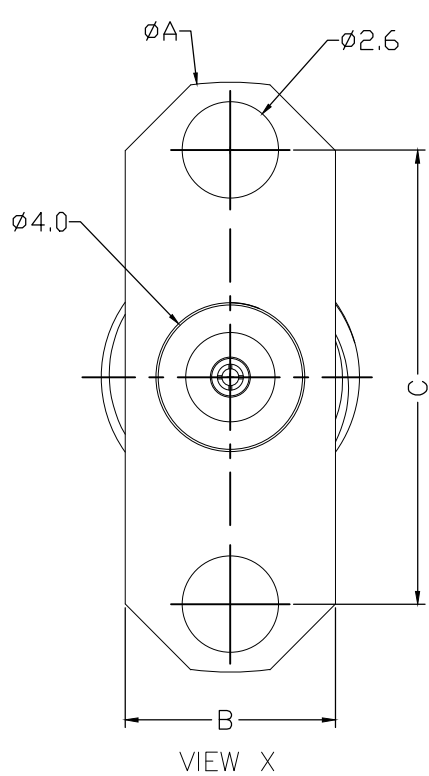
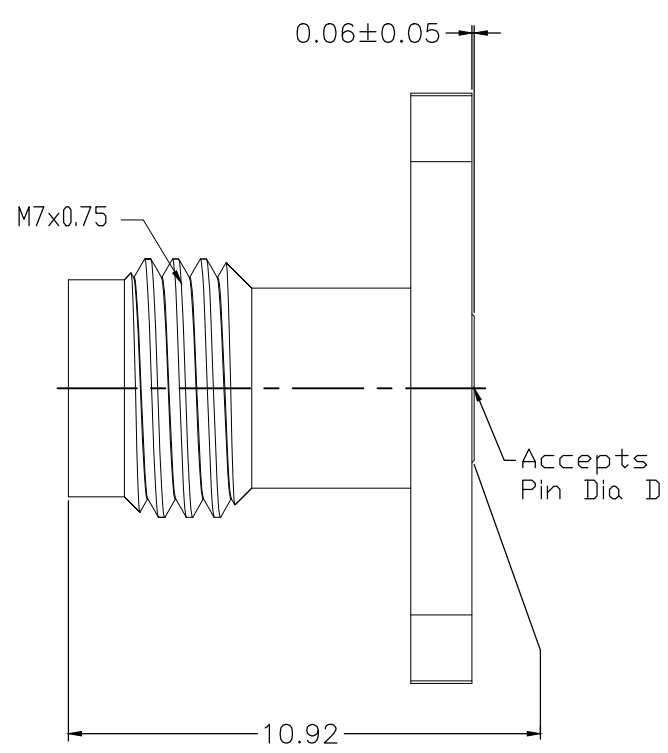


THIS DRAWING IS UNPUBLISHED. RELEASED FOR PUBLICATION  
 © COPYRIGHT - TE Connectivity Ltd. ALL RIGHTS RESERVED.

REVISIONS					
P	LTR	DESCRIPTION	DATE	DWN	APVD
	A	RELEASE	30AUG2019	RZ	RS



VIEW												VIEW			8
9.02												C			7
4.83												B			6
12.7												A			5
0.51	0.46	0.38	0.30	0.51	0.46	0.38	0.30	0.51	0.46	0.38	0.30	Dia D			4
1	1	1	1	1	1	1	1	1	1	1	1	PASSIVATED	STEEL	OUTER CONTACT	3
1	1	1	1	1	1	1	1	1	1	1	1	-	PEI	INSULATION	2
1	1	1	1	1	1	1	1	1	1	1	1	Au	BeCu	CENTER CONTACT	1
2-4	2-3	2-2	2-1	1-4	1-3	1-2	1-1	-4	-3	-2	-1	PLATING	MATERIAL	DESCRIPTION	ITEM

ELECTRICAL	MECHANICAL	ENVIRONMENTAL
Impedance (Ohm) <u>50</u>	Interface Dimension MIL-STD-348B Fig. <u>324-2</u>	TEMPERATURE RANGE <u>-55°C TO + 125°C</u>
Frequency Range (GHz) <u>DC to 50GHz</u>	Recommended Coupling Torque <u>7 to 10 In-Lbs</u>	THERMAL SHOCK <u>MIL-STD-202, METH.107, COND.B</u>
Voltage Rating (Peak) <u>@ Sea Level 335 V RMS</u>	Force to Engage and Disengage (N) <u>1.4 MAX</u>	CORROSION <u>MIL-STD-202, METH.101, COND.B</u>
Insulation Resistance (MIN.) <u>5000 M ohms</u>	Center Contact Captivation	VIBRATION <u>MIL-STD-202, METH.204, COND.D</u>
Contact Resistance (Milliohms MAX)	Axial (N) <u>27.0</u>	SHOCK <u>MIL-STD-202, METH.213, COND.I</u>
Center Contact <u>3.0</u>	Radial (In/Oz) <u>N/A</u>	MOISTURE RESISTANCE <u>MIL-STD-202, METH.106</u>
Outer Contact <u>2.0</u>	Cable Retention	ROHS <u>COMPLIANT</u>
Dielectric Withstand Voltage: <u>750 V RMS Max</u>	Axial (Lbs) <u>N/A</u>	
Insertion Loss : <u>0.05*SQRT(F) dB</u>	Mating cycles <u>500 cycles</u>	
VSWR: <u>1.05 + 0.05*SQRT(F) (GHz)</u>		
RF leakage: <u>N/A</u>		
3rd Intermodulation: <u>N/A</u>		

THIS DRAWING IS A CONTROLLED DOCUMENT.

DIMENSIONS: mm	TOLERANCES UNLESS OTHERWISE SPECIFIED:	DWN <u>Randy Z</u> 28MAY2019	TE Connectivity <b>2.4MM JACK 2 HOLE RECEPTACLE</b>
	0 PLC ± -	CHK <u>Eric D</u> 28MAY2019	
	1 PLC ± 0.15	APVD <u>Roger S</u> 28MAY2019	
	2 PLC ± 0.1	PRODUCT SPEC	
MATERIAL	FINISH	APVD <u>Roger S</u> 28MAY2019	NAME
-	-	APPLICATION SPEC	RESTRICTED TO
		WEIGHT	SIZE CAGE CODE DRAWING NO
			<u>A3</u> <u>00779</u> <u>C-2081598</u>
		CUSTOMER DRAWING	SCALE 1:1 SHEET 1 OF 1 REV A