

4

3

2

1

THIS DRAWING IS UNPUBLISHED.

RELEASED FOR PUBLICATION

20

© COPYRIGHT 20

ALL RIGHTS RESERVED.

PART NUMBER: 2199170-2

LOC
ES

DIST

REVISIONS

P	LTR	DESCRIPTION	DATE	DWN	APVD
	A4	REVISED ECN-21-119790	29SEP2021	J. J	N. S

① $*4.80 \pm 0.10$

② $*5.00 \pm 0.10$

③ 2.20

④ $\varnothing 2.00$ REF
PICK & PLACE AREA

⑤ YWWDS

⑥ 1.60 ± 0.02
PITCH

⑦ 3.20 ± 0.02

⑧ 5.20 ± 0.02

⑨ 3.30 ± 0.02

⑩ 0.60 ± 0.02

RECOMMEND PWB LAYOUT

⑪ 1.60 ± 0.02
PITCH

⑫ 3.20 ± 0.02

⑬ 5.64 ± 0.02

⑭ 2.06 ± 0.02

⑮ 1.42 ± 0.02

RECOMMEND MATING LAYOUT

⑯ 0.50 ± 0.05
6 PLC

⑰ 1.60 ± 0.10
PITCH

⑱ 0.95 ± 0.03

⑲ 0.40 ± 0.05
6 PLC

⑳ 1.60 ± 0.10
PITCH

NORMAL FORCE CURVE

F (N)

D (mm)

0.3 0.5 0.7

0.29 0.52 0.70

⑳ 4.4 REF
AT MIN. WORKING HEIGHT

㉑ 4.2 REF
AT NOR. WORKING HEIGHT

㉒ 4.0 REF
AT MAX. WORKING HEIGHT

㉓ 3.60 ± 0.15

㉔ 1.60 WORKING MAX.

㉕ 1.40 WORKING NORMAL

㉖ 1.20 WORKING MIN.

㉗ 0.05 REF ⑦

㉘ 0.10 ± 0.02

㉙ $0.02^{+0.05}_{-0.02}$

㉚ 3.00 ± 0.10

㉛ $*4.00 \pm 0.15$

㉜ $*4.80 \pm 0.15$

㉝ $*1.90^{0}_{-0.10}$

㉞ $*1.20 \pm 0.05$

㉟ ⑨

NOTES:

① MATERIAL
TERMINAL : COPPER ALLOY, THICKNESS 0.10mm.
HOUSING : HIGH TEMPERATURE THERMO PLASTIC
UL94V-0 BLACK

② FINISH
TERMINAL : 0.1-0.2 μ m GOLD PLATING ON CONTACT AREA,
1.27 MIN. NICKLE UNDER PLATING,
0.025-0.075 μ m GOLD PLATING ON SOLDERING AREA.

③ COPLANARITY : BEFORE REFLOW 0.08 MAX, AFTER REFLOW 0.1 MAX

④ PACKAGING : TAPE & REEL.
DATE CODE: "YWWDS"
YWW = PRODUCTION DATE (YEAR, WEEK, DAY).
S = SHIFT (D=DYA, N=NIGHT)

⑤ CONTACT CAN NOT TOUCH PCB & TAIL WHEN PRESS TO HOUSING SURFACE.
CONTACT CAN NOT EXCEED HOUSING EDGE WHEN PRESS TO HOUSING SURFACE

⑥ * MEANS KEY DIMENSIONS FOR CUSTOMER

THIS DRAWING IS A CONTROLLED DOCUMENT.

DIMENSIONS: mm	TOLERANCES UNLESS OTHERWISE SPECIFIED: ± 0.15
	0 PLC \pm
	1 PLC \pm
	2 PLC \pm
	3 PLC \pm
	4 PLC \pm
	ANGLES $\pm 3^\circ$
MATERIAL	FINISH

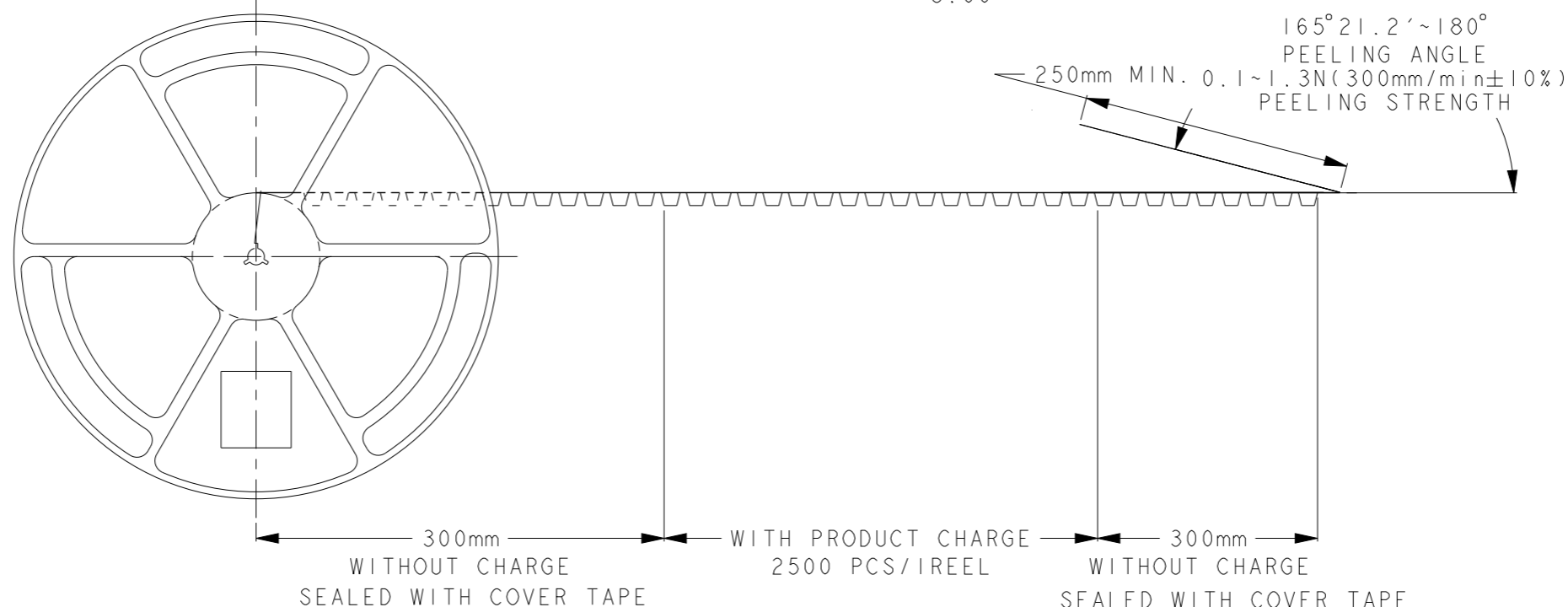
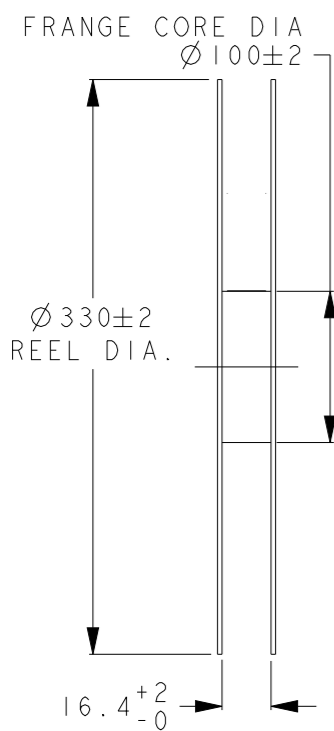
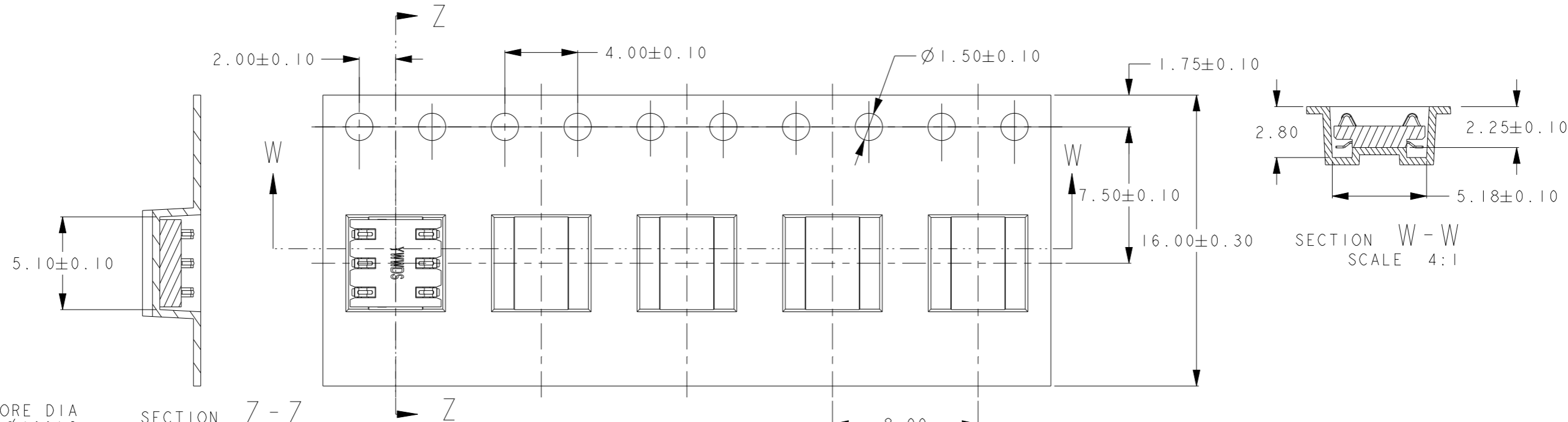
DWN	13NOV2013
CHK	RAY WANG
APVD	13NOV2013
PRODUCT SPEC	WENKE HE
APPLICATION SPEC	WENKE HE
WEIGHT	-
CUSTOMER DRAWING	

TE Connectivity

ONE PIECE BtoB CONNECTOR
6 PINS, 1.6MM PITCH, HI. 4, TWO ROWS

NAME	SIZE	CAGE CODE	DRAWING NO	RESTRICTED TO
	A3	00779	C-2199170	
SCALE	SHEET		OF	REV
20:1	1		2	A4

1470-19 (3/11)



NOTES:
 1. MATERIAL: P.S CLEAR, 0.4MM THICKNESS.
 2. QUANTITY PER REEL: 2500 PIECES.

THIS DRAWING IS A CONTROLLED DOCUMENT.		DWN	RAY WANG	13NOV2013
DIMENSIONS: mm		CHK	WENKE HE	13NOV2013
TOLERANCES UNLESS OTHERWISE SPECIFIED: ±		APVD	WENKE HE	13NOV2013
0-PLC ±		PRODUCT SPEC	-	-
1-PLC ±		APPLICATION SPEC	-	-
2-PLC ±		WEIGHT	-	-
3-PLC ±		CUSTOMER DRAWING	-	-
4-PLC ±				
ANGLES ±3°				
FINISH				
MATERIAL	1			
	2			

TE Connectivity		NAME	
		ONE PIECE BtoB CONNECTOR 6 PINS, 1.6MM PITCH, HI.4, TWO ROWS	
SIZE	CAGE CODE	DRAWING NO	RESTRICTED TO
A3	00779	C-2199170	
SCALE 20:1		SHEET 2 OF 2	REV A4