

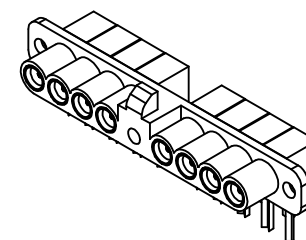
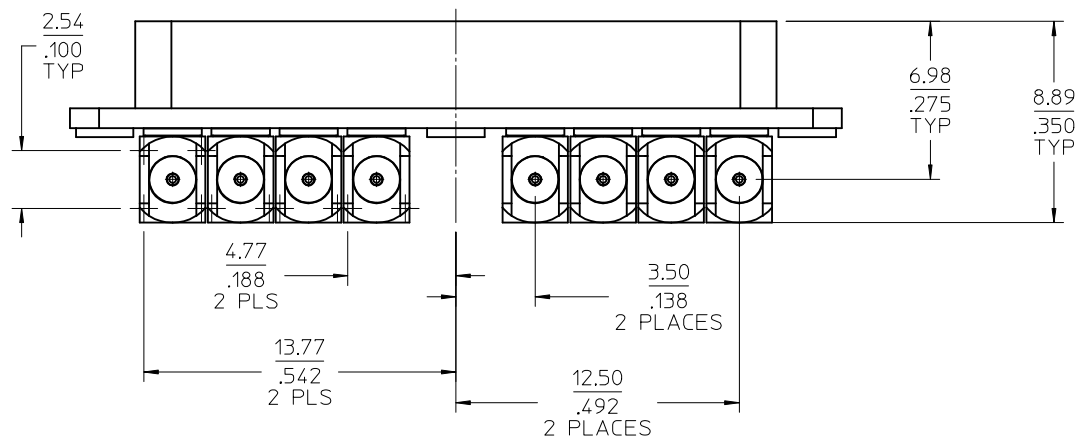
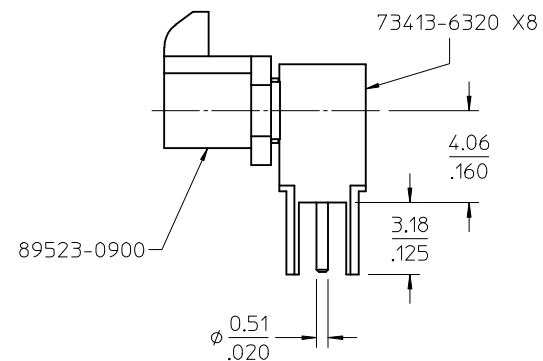
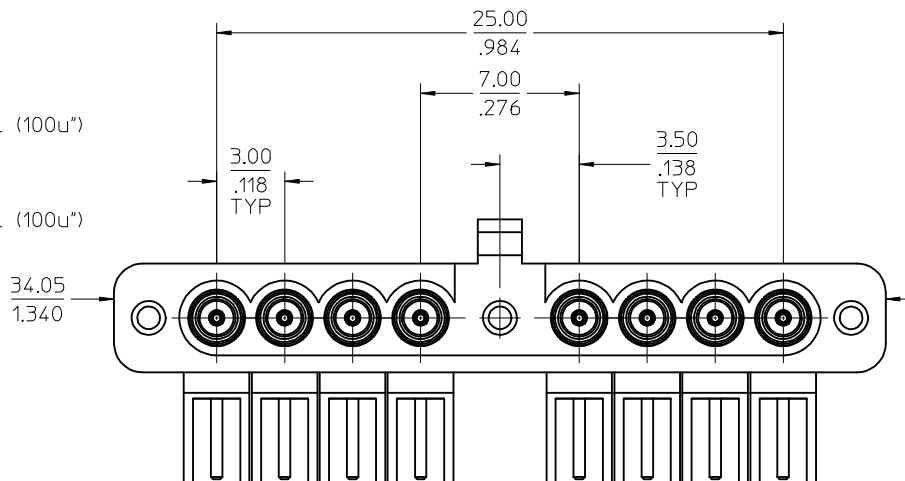
MATERIALS AND FINISHES

BODIES: BRASS
PLATED GOLD (10u") OVER NICKEL (100u")

CONTACTS: BERYLLIUM COPPER
PLATED GOLD (10u") OVER NICKEL (100u")

INSULATORS: TEFLON

BLOCK: STANYL 30% GLASS FILL
(TE250F6-1000)



PART # 73358-0760

PS-89675-3600	ELEC/MECH PERFORMANCE
SPECIFICATION	DESCRIPTION

CHG: UPDATE VIEWS
ADD PLATING AND
BLOCK MATERIAL
DETAILS

EC NO: URF2014-0185
DRWN:JWIENER 2013/09/25
CHKD:SSS 2013/09/25
APPR:JWIENER 2013/09/26

DESCRIPTION
REV B1

QUALITY SYMBOLS
▽=0
▽=0

GENERAL TOLERANCES (UNLESS SPECIFIED)

	mm	INCH
4 PLACES	± .005	± .0005
3 PLACES	± .008	± .0008
2 PLACES	± .012	± .0012
1 PLACE	± .015	± .0015

ANGULAR ± 2°

DRAFT WHERE APPLICABLE
MUST REMAIN
WITHIN DIMENSIONS

DIMENSION STYLE
MM/IN

DRAWN BY
JWIENER

DATE
2010/03/16

CHECKED BY
SSS

DATE
2010/03/19

APPROVED BY
JWIENER

DATE
2010/03/31

MATERIAL NO.
SEE TABLE

SIZE
C

SCALE
INCH

DESIGN UNITS
INCH

THIRD ANGLE PROJECTION

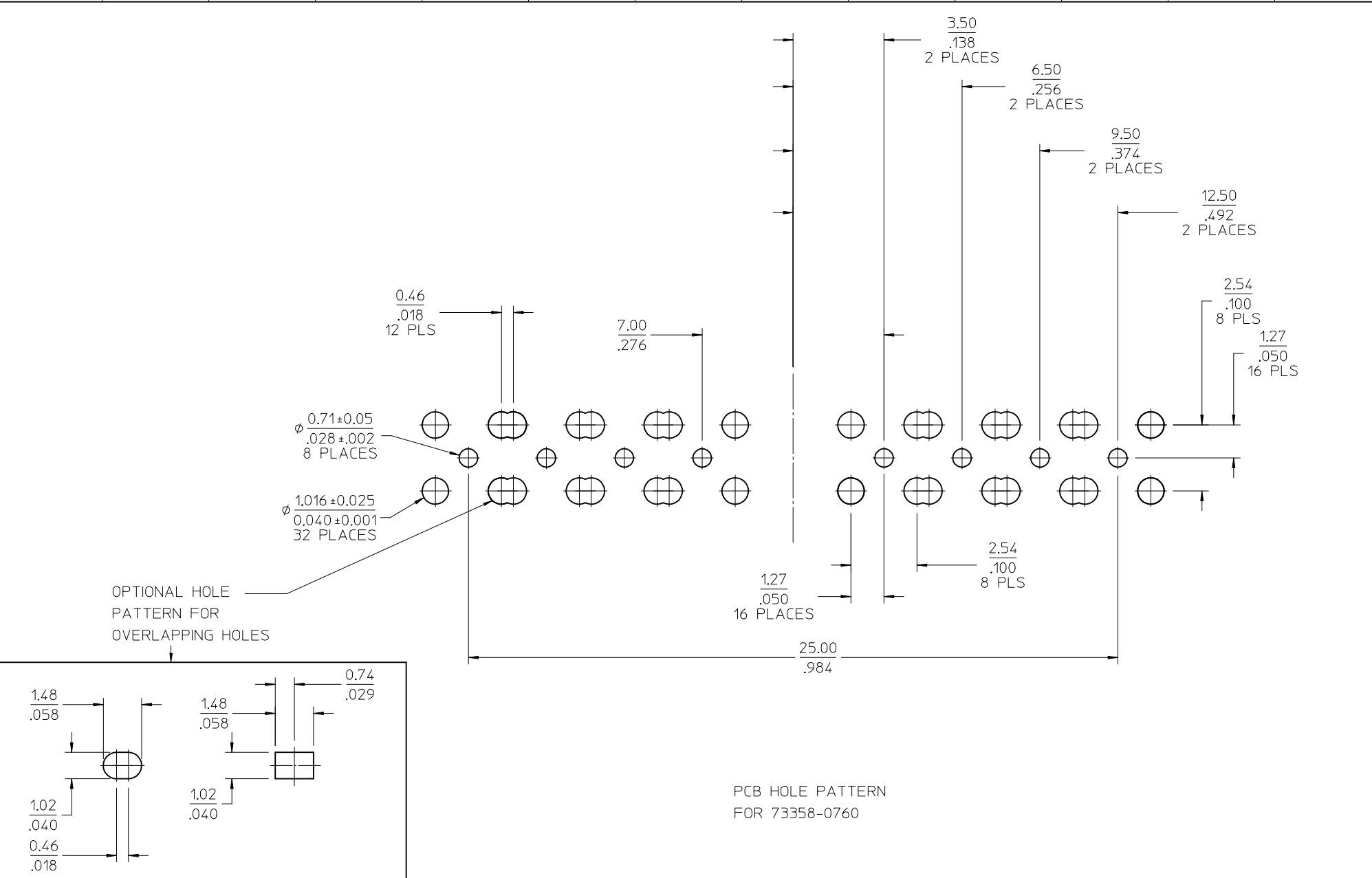
TITLE
SSMCX RA J MF GANG 4/6/8
75 OHM TB STANDARD
SSMCX-J/PCB EWR-4340

MOLEX MOLEX INCORPORATED

DOCUMENT NO.
SD-73358-076

SHEET NO.
1 OF 4

THIS DRAWING CONTAINS INFORMATION THAT IS PROPRIETARY TO MOLEX
INCORPORATED AND SHOULD NOT BE USED WITHOUT WRITTEN PERMISSION

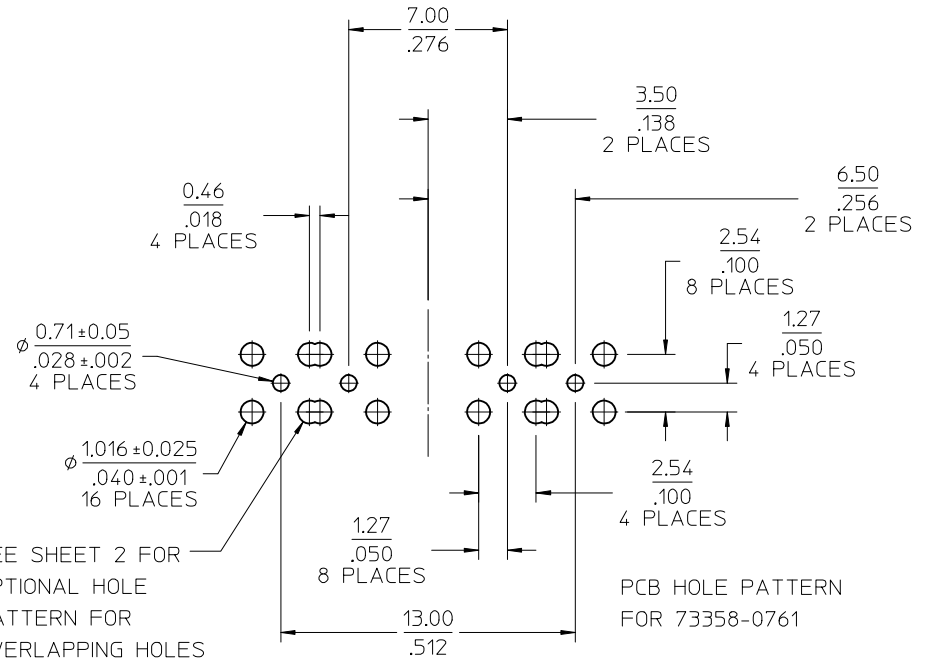
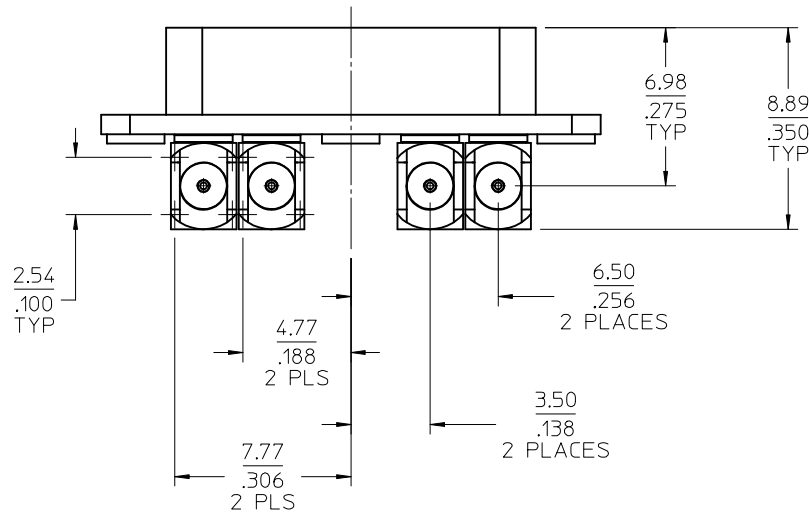
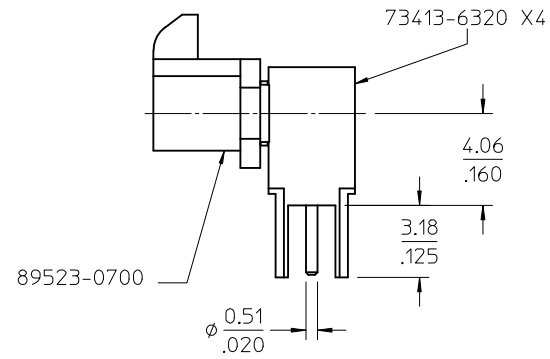
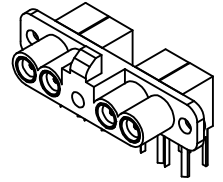
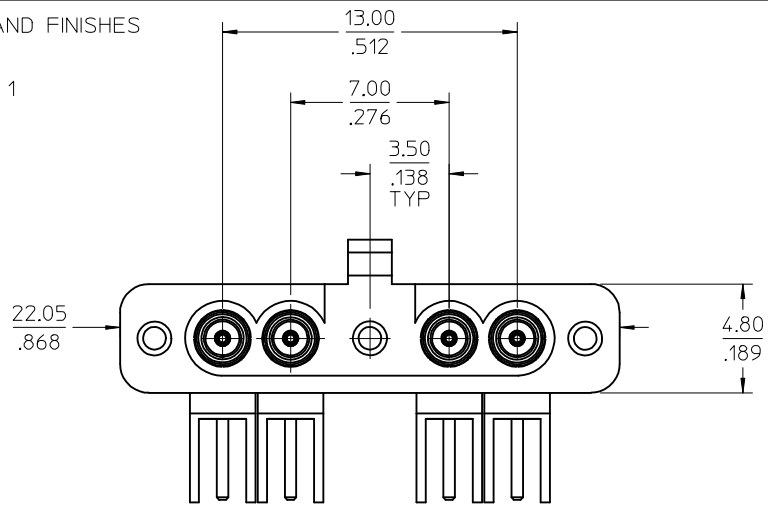


PCB HOLE PATTERN FOR 73358-0760

CHG: SEE SHEET 1. EC NO: URF2014-0185 DRWN: JWIENER 2013/09/25 CHKD: SSS 2013/09/25 APPR: JWIENER 2013/09/26	QUALITY SYMBOLS ▼=0 ▽=0	GENERAL TOLERANCES (UNLESS SPECIFIED)		DIMENSION STYLE MM/IN	SCALE INCH	DESIGN UNITS INCH	THIRD ANGLE PROJECTION	
		4 PLACES ± --- ± ---	3 PLACES ± --- ± ---	2 PLACES ± --- ± ---	1 PLACE ± --- ± ---	DRAWN BY JWIENER	DATE 2010/03/16	TITLE SSMCX RA J MF GANG 4/6/8 75 OHM TB STANDARD SSMCX-J/PCB EWR-4340
		ANGULAR ± 2 °				CHECKED BY SSS	DATE 2010/03/19	
		DRAFT WHERE APPLICABLE MUST REMAIN WITHIN DIMENSIONS				APPROVED BY JWIENER	DATE 2010/03/31	MOLEX INCORPORATED
B1	REV	SEE TABLE		MATERIAL NO.	DOCUMENT NO.	SD-73358-076		
THIS DRAWING CONTAINS INFORMATION THAT IS PROPRIETARY TO MOLEX INCORPORATED AND SHOULD NOT BE USED WITHOUT WRITTEN PERMISSION								

MATERIALS AND FINISHES

SEE SHEET 1

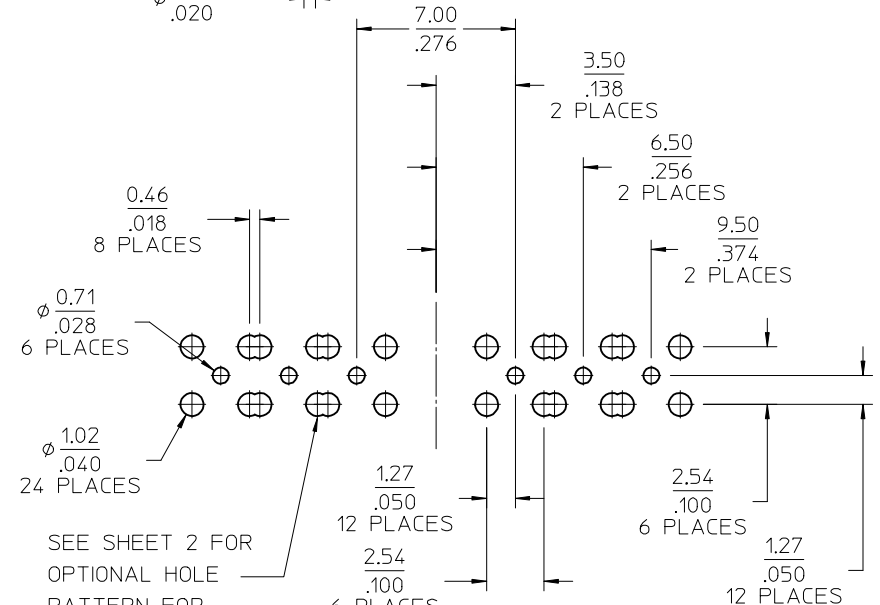
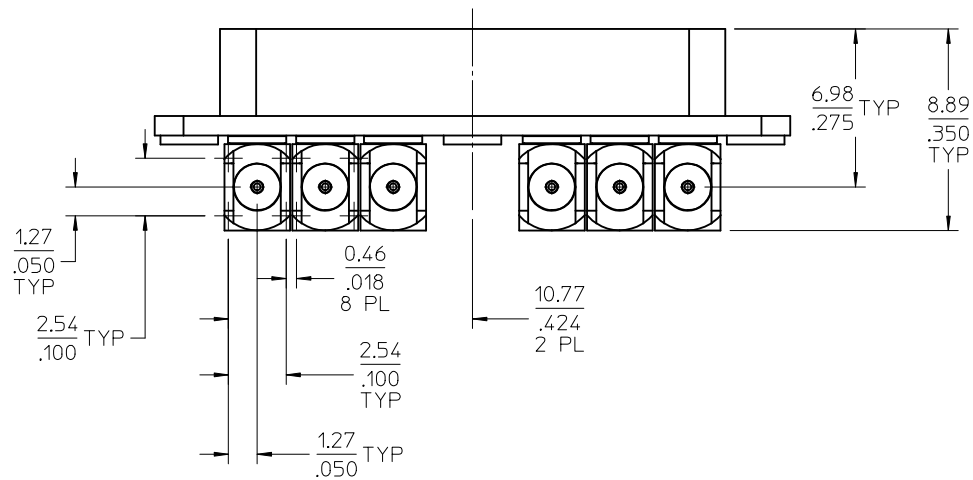
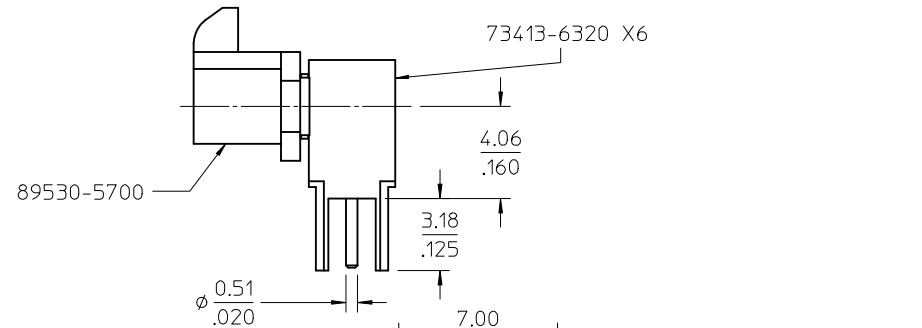
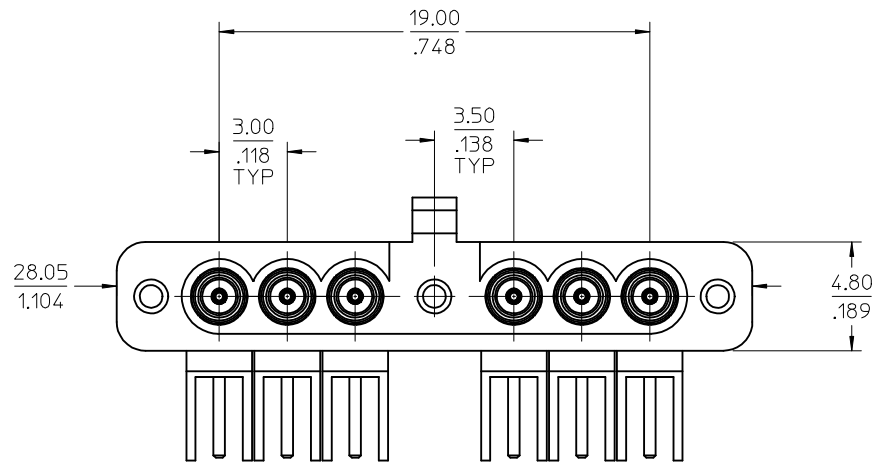
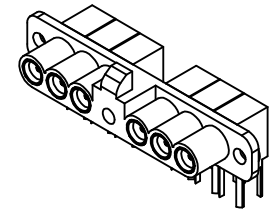


PART # 73358-0761

SEE SHEET 2 FOR
OPTIONAL HOLE
PATTERN FOR
OVERLAPPING HOLES

PCB HOLE PATTERN
FOR 73358-0761

SEE SHEET 1 EC NO: URF2014-0185 DRWN:JWIENER 2013/09/25 CHKD:SSS 2013/09/25 APPR:JWIENER 2013/09/26 REV B1	QUALITY SYMBOLS ▽=0 ▽=0	GENERAL TOLERANCES (UNLESS SPECIFIED) <table border="1"> <thead> <tr> <th></th> <th>mm</th> <th>INCH</th> </tr> </thead> <tbody> <tr> <td>4 PLACES ±</td> <td>---</td> <td>± ---</td> </tr> <tr> <td>3 PLACES ±</td> <td>---</td> <td>± ---</td> </tr> <tr> <td>2 PLACES ±</td> <td>---</td> <td>± ---</td> </tr> <tr> <td>1 PLACE ±</td> <td>---</td> <td>± ---</td> </tr> </tbody> </table>		mm	INCH	4 PLACES ±	---	± ---	3 PLACES ±	---	± ---	2 PLACES ±	---	± ---	1 PLACE ±	---	± ---	DIMENSION STYLE MM/IN	SCALE INCH	DESIGN UNITS INCH	THIRD ANGLE PROJECTION
		mm	INCH																		
	4 PLACES ±	---	± ---																		
	3 PLACES ±	---	± ---																		
2 PLACES ±	---	± ---																			
1 PLACE ±	---	± ---																			
DRAFT WHERE APPLICABLE MUST REMAIN WITHIN DIMENSIONS	ANGLULAR ± 2 °	DRAWN BY JWIENER	DATE 2010/03/16	TITLE SSMCX RA J MF GANG 4/6/8 75 OHM TB STANDARD SSMCX-J/PCB EWR-4340	MOLEX INCORPORATED	SHEET NO. 3 OF 4															
SEE TABLE	MATERIAL NO.	APPROVED BY JWIENER	DATE 2010/03/31	MOLEX	DOCUMENT NO. SD-73358-076	THIS DRAWING CONTAINS INFORMATION THAT IS PROPRIETARY TO MOLEX INCORPORATED AND SHOULD NOT BE USED WITHOUT WRITTEN PERMISSION															



PART # 73358-0762

SEE SHEET 2 FOR
OPTIONAL HOLE
PATTERN FOR
OVERLAPPING HOLES

PCB HOLE PATTERN
FOR 73358-0762

CHG: SEE SHEET 1. EC NO: URF2014-0185 DRWN: JWIENER 2013/09/25 CHKD: SSS 2013/09/25 APPR: JWIENER 2013/09/26	QUALITY SYMBOLS ▽=0 ▽=0	GENERAL TOLERANCES (UNLESS SPECIFIED)		DIMENSION STYLE MM/IN	SCALE INCH	DESIGN UNITS INCH	THIRD ANGLE PROJECTION
		4 PLACES ± --- ± --- 3 PLACES ± --- ± --- 2 PLACES ± --- ± --- 1 PLACE ± --- ± ---	mm INCH --- --- --- --- --- --- --- ---	DRAWN BY JWIENER	DATE 2010/03/16		
		ANGULAR ± 2 °		CHECKED BY SSS	DATE 2010/03/19	MOLEX MOLEX INCORPORATED	
		DRAFT WHERE APPLICABLE MUST REMAIN WITHIN DIMENSIONS		MATERIAL NO. SEE TABLE	DATE 2010/03/31		DOCUMENT NO. SD-73358-076