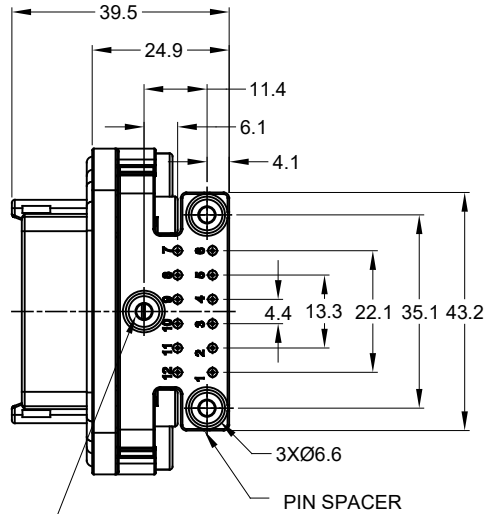
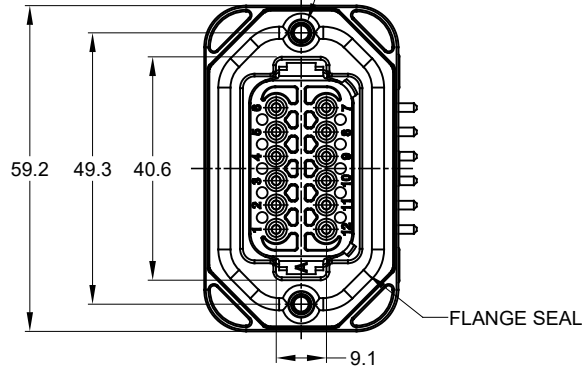


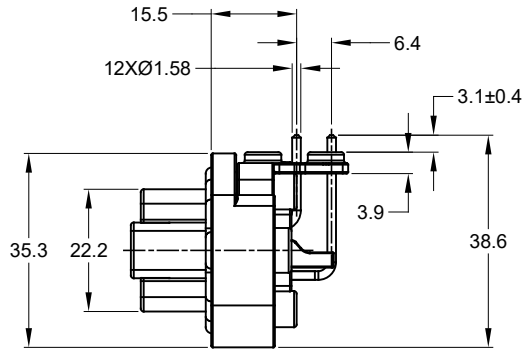
2xØ3.10±0.12x11.18 DP
 RECOMMENDED SCREW: 6-19 [M3.63 x 1.34]
 THREAD-FORMING SCREW,
 TORQUE: 11-15 IN-LB [1.24-1.70 NM]



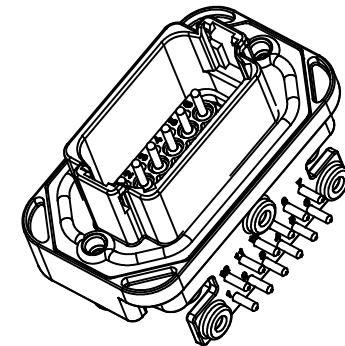
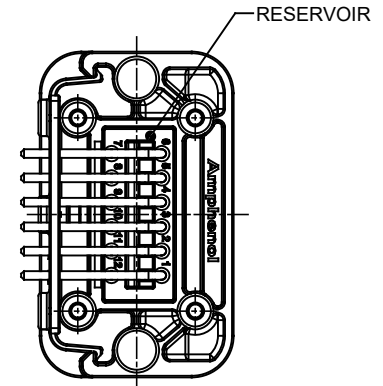
3xØ2.79±0.12
 RECOMMENDED SCREW: 4-20 [M3.12 x 1.27]
 THREAD-FORMING SCREW,
 TORQUE: 6-10 IN-LB [0.68-1.13 NM]

NOTES: UNLESS OTHERWISE SPECIFIED

1. MATERIAL:
 HOUSING: THERMOPLASTIC
 SEAL: SILICONE RUBBER
 CONTACT: COPPER ALLOY
2. MODIFICATIONS: FLANGE, PCB MOUNT, RIGHT ANGLE
3. SPECIFICATIONS:
 3.1 CURRENT RATING: 13 AMPS
 3.2 OPERATING TEMPERATURE: -55°C TO +125°C
 3.3 DIELECTRIC WITHSTANDING VOLTAGE: LESS THAN 2 MILLIAMPS CURRENT LEAKAGE @ 1500 VOLTS AC.
 3.4 INSULATION RESISTANCE: 1000 MEGOHMS MIN @ 25°C.
 3.5 MOISTURE RESISTANCE: IP67 (MATED CONDITION)
 3.6 MATING CYCLE DURABILITY: 100 CYCLES
 3.7 RoHS COMPLIANT
4. MATING PART: AT06-12S* PLUG
 (* = MODIFICATIONS)
5. ALL DIMENSIONS ARE FOR REFERENCE USE ONLY.
6. POTTED CONNECTORS SPECIFIED FOR UP TO 5 P.S.I. APPLICATIONS.



REVISIONS					
REV	ECO	DESCRIPTION	DATE	BY	APPR
A1	--	RELEASE NEW DRAWING	19JUN18	JONY	TOMMY
A2	--	REVISED DRAWING	10JUL20	JHEAD	DH

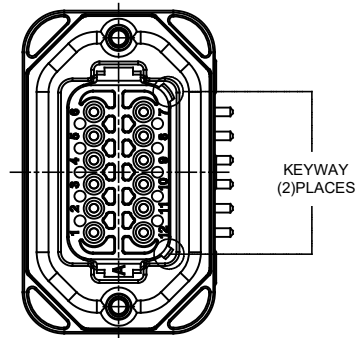


AT13-12PX-BMXX		REF: DT13-12PA, DT13-12PB, DT13-12PC, DT13-12PD, DT13-12PA-G003, DT13-12PB-G003, DT13-12PC-G003, DT13-12PD-G003																																									
PART NUMBER		DESCRIPTION		ITEM																																							
<table border="1"> <thead> <tr> <th>QUANTITY</th> <th colspan="3">MATERIALS LIST</th> </tr> <tr> <th>UNLESS OTHERWISE SPECIFIED</th> <th>SIGNATURES</th> <th>DATE</th> <th colspan="2">Amphenol</th> </tr> </thead> <tbody> <tr> <td>1) All dimensions are in metric (mm). 2) Tolerances are as follows: 1 PL DEC ±0.30 Fractions ±1/64 2 PL DEC ±0.15 Angles ±1° 3 PL DEC ±0.08</td> <td>DRAWN: JONY XIE</td> <td>19JUN18</td> <td colspan="2" rowspan="3">Sine Systems - www.amphenol-sine.com 44724 Morley Drive Clinton Township, MI 48036</td> </tr> <tr> <td>3) Note reference = </td> <td>CHECKED: ORION LI</td> <td>19JUN18</td> </tr> <tr> <td></td> <td>ENGINEER:</td> <td></td> </tr> <tr> <td>MATERIAL SPECIFICATIONS:</td> <td>APPROVAL: TOMMY XIE</td> <td>19JUN18</td> <td colspan="2" rowspan="2">BOARDLOCK PCB MOUNT RECEPTACLE, 12 PIN, RA FLANGE, AT SERIES</td> </tr> <tr> <td>PROCESS SPECIFICATIONS:</td> <td>CUSTOMER:</td> <td></td> </tr> <tr> <td>NEXT ASSY:</td> <td colspan="2">THIS DRAWING IS SUPPLIED FOR INFORMATION ONLY. DESIGN FEATURES, SPECIFICATIONS AND PERFORMANCE DATA SHOWN HEREON ARE THE PROPERTY OF THE AMPHENOL CORPORATION. NO RIGHTS OF REPRODUCTION ARE IMPLIED. ALL DIMENSIONS ARE SUBJECT TO NORMAL MANUFACTURING VARIATIONS.</td> <td>SIZE: B C-</td> <td>TYPE: AT13-12PX-BMXX</td> <td>REVISION: A2</td> </tr> <tr> <td colspan="3">SCALE: NONE</td> <td colspan="2">SHEET 1 OF 3</td> </tr> </tbody> </table>					QUANTITY	MATERIALS LIST			UNLESS OTHERWISE SPECIFIED	SIGNATURES	DATE	Amphenol		1) All dimensions are in metric (mm). 2) Tolerances are as follows: 1 PL DEC ±0.30 Fractions ±1/64 2 PL DEC ±0.15 Angles ±1° 3 PL DEC ±0.08	DRAWN: JONY XIE	19JUN18	Sine Systems - www.amphenol-sine.com 44724 Morley Drive Clinton Township, MI 48036		3) Note reference =	CHECKED: ORION LI	19JUN18		ENGINEER:		MATERIAL SPECIFICATIONS:	APPROVAL: TOMMY XIE	19JUN18	BOARDLOCK PCB MOUNT RECEPTACLE, 12 PIN, RA FLANGE, AT SERIES		PROCESS SPECIFICATIONS:	CUSTOMER:		NEXT ASSY:	THIS DRAWING IS SUPPLIED FOR INFORMATION ONLY. DESIGN FEATURES, SPECIFICATIONS AND PERFORMANCE DATA SHOWN HEREON ARE THE PROPERTY OF THE AMPHENOL CORPORATION. NO RIGHTS OF REPRODUCTION ARE IMPLIED. ALL DIMENSIONS ARE SUBJECT TO NORMAL MANUFACTURING VARIATIONS.		SIZE: B C-	TYPE: AT13-12PX-BMXX	REVISION: A2	SCALE: NONE			SHEET 1 OF 3	
QUANTITY	MATERIALS LIST																																										
UNLESS OTHERWISE SPECIFIED	SIGNATURES	DATE	Amphenol																																								
1) All dimensions are in metric (mm). 2) Tolerances are as follows: 1 PL DEC ±0.30 Fractions ±1/64 2 PL DEC ±0.15 Angles ±1° 3 PL DEC ±0.08	DRAWN: JONY XIE	19JUN18	Sine Systems - www.amphenol-sine.com 44724 Morley Drive Clinton Township, MI 48036																																								
3) Note reference =	CHECKED: ORION LI	19JUN18																																									
	ENGINEER:																																										
MATERIAL SPECIFICATIONS:	APPROVAL: TOMMY XIE	19JUN18	BOARDLOCK PCB MOUNT RECEPTACLE, 12 PIN, RA FLANGE, AT SERIES																																								
PROCESS SPECIFICATIONS:	CUSTOMER:																																										
NEXT ASSY:	THIS DRAWING IS SUPPLIED FOR INFORMATION ONLY. DESIGN FEATURES, SPECIFICATIONS AND PERFORMANCE DATA SHOWN HEREON ARE THE PROPERTY OF THE AMPHENOL CORPORATION. NO RIGHTS OF REPRODUCTION ARE IMPLIED. ALL DIMENSIONS ARE SUBJECT TO NORMAL MANUFACTURING VARIATIONS.		SIZE: B C-	TYPE: AT13-12PX-BMXX	REVISION: A2																																						
SCALE: NONE			SHEET 1 OF 3																																								

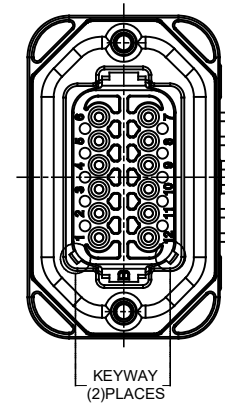
TITLE: PCB MOUNT RECEPTACLE, 12PIN, RA FLANGE, AT SERIES
 DWG NO: AT13-12PX-BMXX
 REV: A2
 SH: 1
 OF: 3

REVISIONS					
REV	ECO	DESCRIPTION	DATE	BY	APPR
A1	-	RELEASE NEW DRAWING	19JUN18	JONY	TOMMY
A2	-	REVISED DRAWING	10JUL20	JHEAD	DH

P/N AT13-12PA-BMXX
KEY-A CONFIGURATION
STANDARD COLOR: GREY



P/N AT13-12PB-BMXX
KEY-B CONFIGURATION
STANDARD COLOR: BLACK



AT13-12PA-BMXX VARIANTS		
CONTACT PLATING	POTTING OR NOT IN RESERVOIR	PART NUMBER
GOLD	NO POTTING	AT13-12PA-BM01
GOLD	POTTING	AT13-12PA-BM02
TIN	NO POTTING	AT13-12PA-BM03
TIN	POTTING	AT13-12PA-BM04

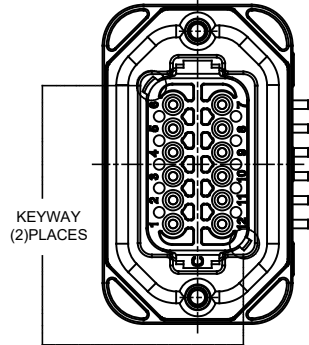
AT13-12PB-BMXX VARIANTS		
CONTACT PLATING	POTTING OR NOT IN RESERVOIR	PART NUMBER
GOLD	NO POTTING	AT13-12PB-BM01
GOLD	POTTING	AT13-12PB-BM02
TIN	NO POTTING	AT13-12PB-BM03
TIN	POTTING	AT13-12PB-BM04

AT13-12PX-BMXX		DESCRIPTION		ITEM
QUANTITY	PART NUMBER	MATERIALS LIST		
UNLESS OTHERWISE SPECIFIED:		SIGNATURES		DATE
1) All dimensions are in metric (mm).		DRAWN: JONY.XIE		19JUN18
2) Tolerances are as follows:		CHECKED: ORION LI		19JUN18
1 PL DEC ±0.30		ENGINEER:		
2 PL DEC ±0.15		APPROVAL: TOMMY.XIE		19JUN18
3 PL DEC ±0.08		CUSTOMER:		
3) Note reference =		THIS DRAWING IS SUPPLIED FOR INFORMATION ONLY. DESIGN FEATURES, SPECIFICATIONS AND PERFORMANCE DATA SHOWN HEREON ARE THE PROPERTY OF THE AMPHENOL CORPORATION. NO RIGHTS OF REPRODUCTION ARE IMPLIED. ALL DIMENSIONS ARE SUBJECT TO NORMAL MANUFACTURING VARIATIONS.		
MATERIAL SPECIFICATIONS:		CUSTOMER:		
PROCESS SPECIFICATIONS:		THIS DRAWING IS SUPPLIED FOR INFORMATION ONLY. DESIGN FEATURES, SPECIFICATIONS AND PERFORMANCE DATA SHOWN HEREON ARE THE PROPERTY OF THE AMPHENOL CORPORATION. NO RIGHTS OF REPRODUCTION ARE IMPLIED. ALL DIMENSIONS ARE SUBJECT TO NORMAL MANUFACTURING VARIATIONS.		
NEXT ASSY:		SIZE	TYPE	DWG NO.
		B	C-	AT13-12PX-BMXX
		SCALE	NONE	REVISION
				A2
		SHEET 2 OF 3		

TITLE: PCB MOUNT RECEPTACLE 12PIN RA FLANGE AT SERIES
DWG NO: AT13-12PX-BMXX
REV: A2
SH: 2
OF: 3

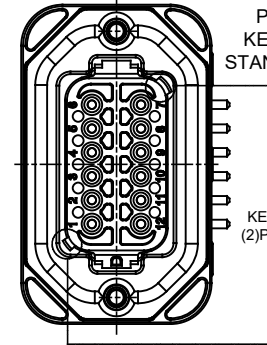
REVISIONS					
REV	ECO	DESCRIPTION	DATE	BY	APPR
A1	--	RELEASE NEW DRAWING	19JUN18	JONY	TOMMY
A2	--	REVISED DRAWING	10JUL20	JHEAD	DH

P/N AT13-12PC-BMXX
KEY-C CONFIGURATION
STANDARD COLOR: GREEN



KEYWAY
(2) PLACES

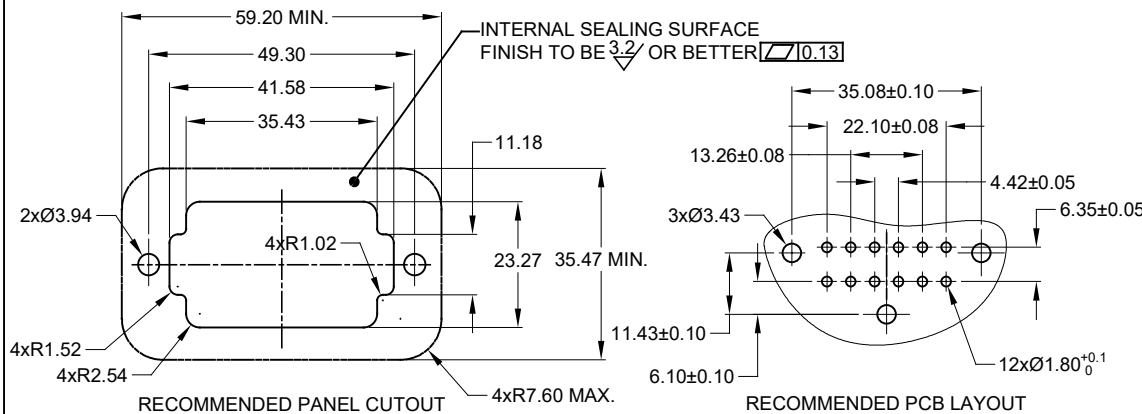
P/N AT13-12PD-BMXX
KEY-D CONFIGURATION
STANDARD COLOR: BROWN



KEYWAY
(2) PLACES

AT13-12PC-BMXX VARIANTS		
CONTACT PLATING	POTTING OR NOT IN RESERVOIR	PART NUMBER
GOLD	NO POTTING	AT13-12PC-BM01
GOLD	POTTING	AT13-12PC-BM02
TIN	NO POTTING	AT13-12PC-BM03
TIN	POTTING	AT13-12PC-BM04

AT13-12PD-BMXX VARIANTS		
CONTACT PLATING	POTTING OR NOT IN RESERVOIR	PART NUMBER
GOLD	NO POTTING	AT13-12PD-BM01
GOLD	POTTING	AT13-12PD-BM02
TIN	NO POTTING	AT13-12PD-BM03
TIN	POTTING	AT13-12PD-BM04



AT13-12PX-BMXX		DESCRIPTION		ITEM
QUANTITY	PART NUMBER	MATERIALS LIST		
UNLESS OTHERWISE SPECIFIED: 1) All dimensions are in metric(mm) 2) Tolerances are as follows: 1 PL DEC ±0.30 Fractions ±1/64 2 PL DEC ±0.15 Angles ±1° 3 PL DEC ±0.08 3) Note reference = Δ		SIGNATURES	DATE	Amphenol Sine Systems - www.amphenol-sine.com 44724 Morley Drive Clinton Township, MI 48036 BOARDLOCK, PCB MOUNT RECEPTACLE, 12 PIN, RA FLANGE, AT SERIES
MATERIAL SPECIFICATIONS:		DRAWN: JONY XIE	19JUN18	
PROCESS SPECIFICATIONS:		CHECKED: ORION LI	19JUN18	
NEXT ASSY:		ENGINEER: TOMMY XIE	19JUN18	
CUSTOMER:		APPROVAL: TOMMY XIE	19JUN18	SIZE: B TYPE: C DWG NO: AT13-12PX-BMXX REVISION: A2 SCALE: NONE SHEET 3 OF 3

TITLE: PCB MOUNT RECEPTACLE, 12PIN, RA FLANGE, AT SERIES
DWG NO.: AT13-12PX-BMXX
REV: A2
SH: 3
OF: 3