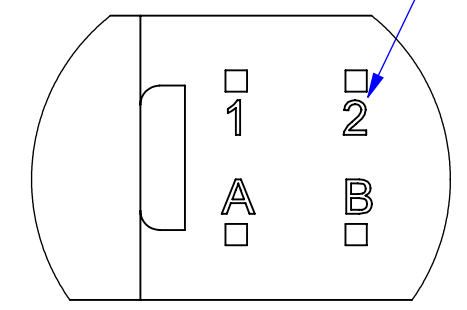
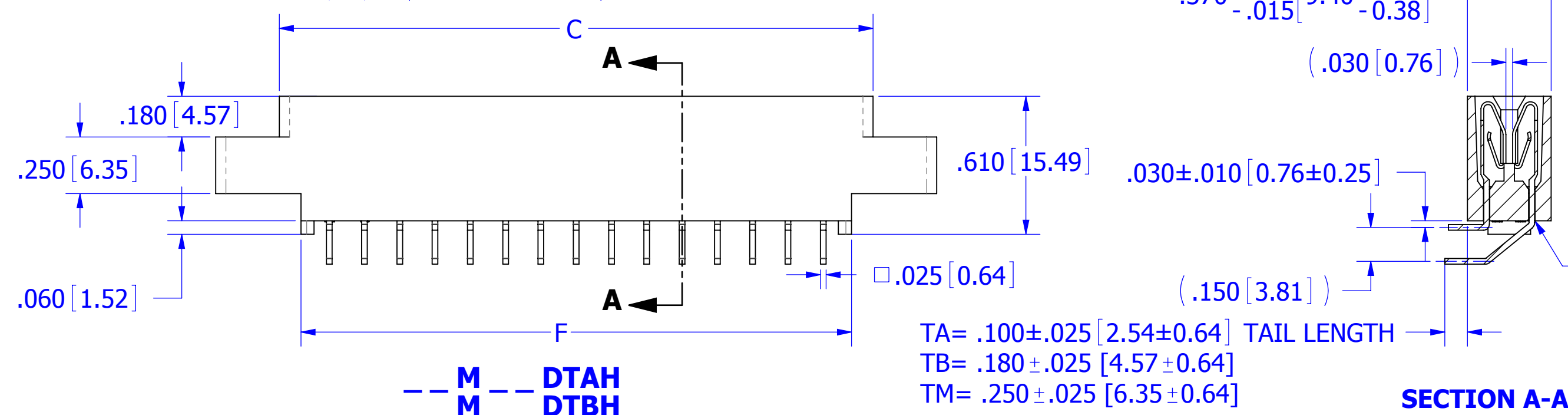
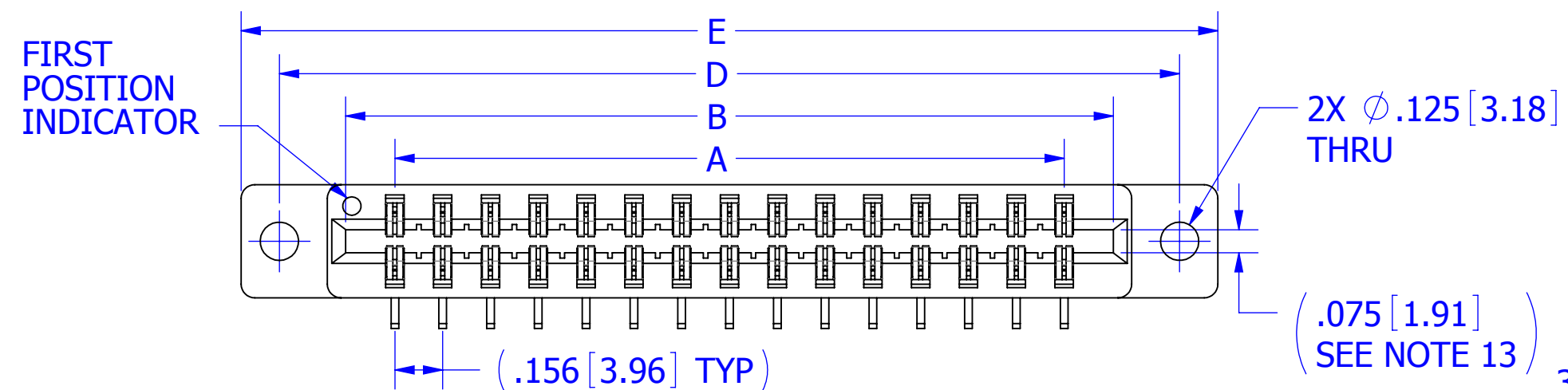
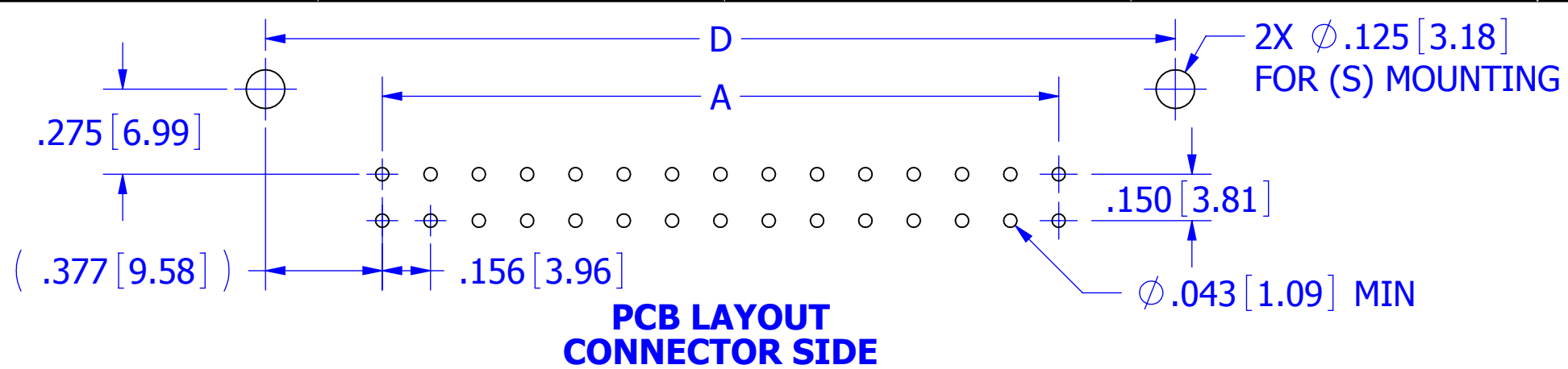


REVISIONS				
REV.	ECO. NO	DESCRIPTION	DATE	BY
C	3414	ADD 'A' MOUNTING, UPDATE SHEET FORMAT	04/18/2016	EP
D	3466	UPDATE 'A' MOUNTING	5/9/2016	EP
E	3868	CORRECT RIGHT VIEW FOR 'S' MTG & INSERT DIRECTION FOR 'A' MTG, UPDATE CONTACT ID	6/15/2018	JH



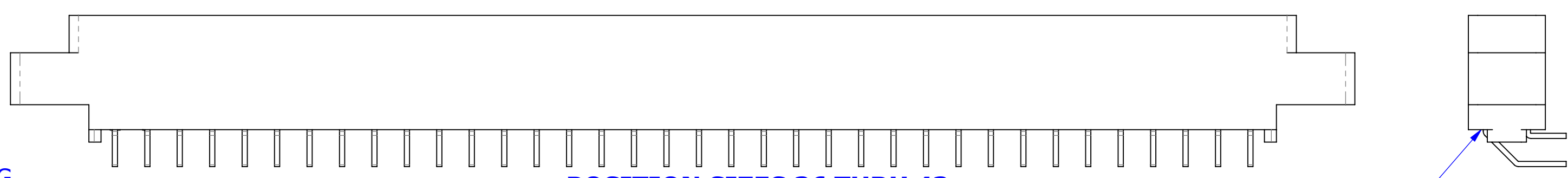
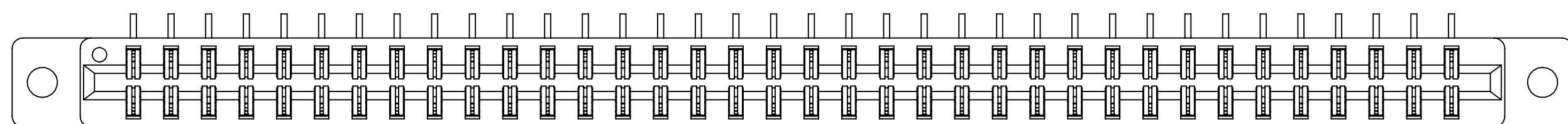
CONTACT IDs:  
(LETTERS G, I, O & Q NOT USED)

SIZES 06 THRU 25, 28, 30 & 31:  
1 2 ... 23 24 ... 29 30  
A B ... A B ... H J

SIZES 36 THRU 43:  
A B ... A B ... X Y  
1 2 ... 23 24 ... 42 43

SIZES 47 & 50:  
1 3 ... 97 99  
2 4 ... 98 100

M DTAH  
M DTBH  
M DTMH  
(POSITION SIZES 06 THRU 31)

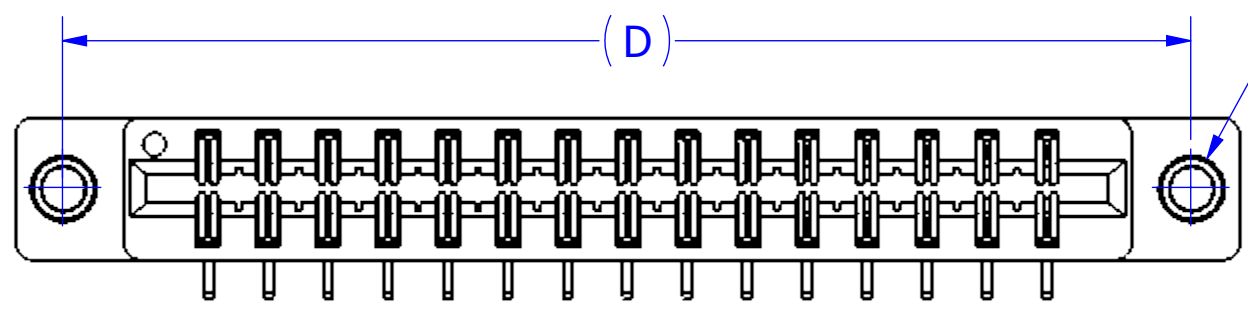


- NOTES:
1. INSULATOR MATERIAL: SEE PART NUMBER CODING
  2. CONTACT MATERIAL: SEE PART NUMBER CODING
  3. PLATING: SEE PART NUMBER CODING
  4. OPERATING TEMPERATURE RATING: SEE PART NUMBER CODING
  5. PROCESSING TEMPERATURE: SEE PART NUMBER CODING
  6. UL FLAMABILITY RATING: 94V-0
  7. OPERATING VOLTAGE: 950 VAC
  8. CURRENT RATING: 3 AMP
  9. CONTACT RESISTANCE: 30 MILLI OHMS MAX
  10. INSULATION RESISTANCE: 5000 MEGA OHMS
  11. DURABILITY: 500 CYCLES MINIMUM
  12. CONNECTOR IDENTIFICATION: PART SHALL BE MARKED WITH PART NUMBER AND LOT CODE
  13. ACCOMMODATES BOARD THICKNESS:  $.062 \pm .008 [1.57 \pm 0.20]$
  14. INSERTION FORCE: 8 OZ MAX PER CONTACT PAIR WHEN USING A  $.062 [1.57]$  TEST BLADE  
INTERNAL INSPECTION TO BE PER SULLINS WORK INSTRUCTION WI-8.6-03
  15. WITHDRAWAL FORCE: 1 OZ MIN PER CONTACT PAIR USING  $.062 [1.57]$  TEST BLADE
  16. MODIFICATION: OMITTED FOR STANDARD, S38 FOR BLACK PBT, S81 FOR GREEN PBT, S328 FOR BROWN PPS

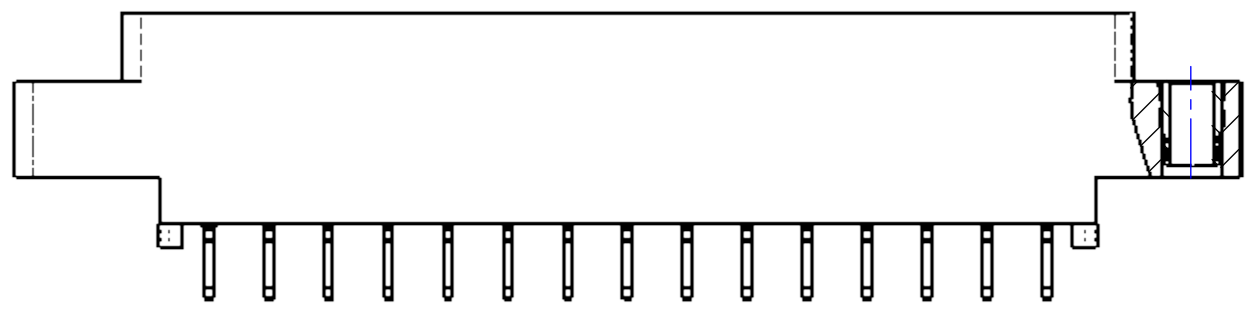


UNLESS OTHERWISE SPECIFIED: DIMENSIONS ARE IN INCHES [MM]		DRAWN	DATE	NAME	
TOLERANCES: ANGULAR: $\pm 1^\circ$ DECIMALS .XX = $\pm .02 [5]$ .XXX = $\pm .005 [13]$ .XXXX = $\pm .0005 [013]$			06/15/12	KV	
<small>THE INFORMATION HEREIN CONTAINS PROPRIETARY INFORMATION OF SULLINS ELECTRONICS AND IS NOT TO BE REPRODUCED, USED OR DISCLOSED TO OTHERS FOR ANY PURPOSE EXCEPT AS SPECIFICALLY AUTHORIZED IN WRITING BY AN OFFICER OF SULLINS ELECTRONICS.</small>					PART NUMBER _M_DTA (DTB, DTM)_
SIZE C	CAGE CODE 54453	DWG. NO. C11699	REV E	SCALE: 2:1 SHEET 1 OF 3	

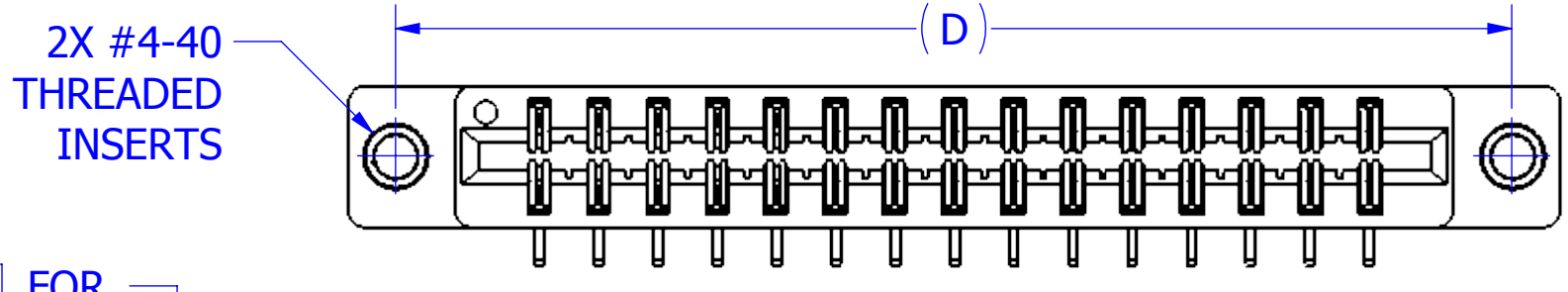
**CUSTOMER COPY**



2X #4-40  
THREADED  
INSERTS



-- M -- DTAI  
-- M -- DTBI  
-- M -- DTMI

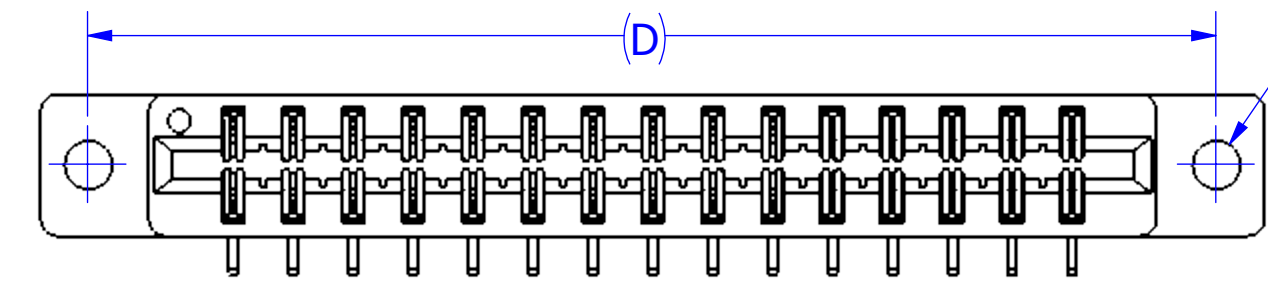


2X #4-40  
THREADED  
INSERTS

.250 [6.35] FOR  
-- M -- DTAT  
-- M -- DTBT  
-- M -- DTM T

.430 [10.92] FOR  
-- M -- DTAX  
-- M -- DTBX  
-- M -- DTM X

-- M -- DTAT, -- M -- DTAX  
-- M -- DTBT, -- M -- DTBX  
-- M -- DTM T, -- M -- DTM X

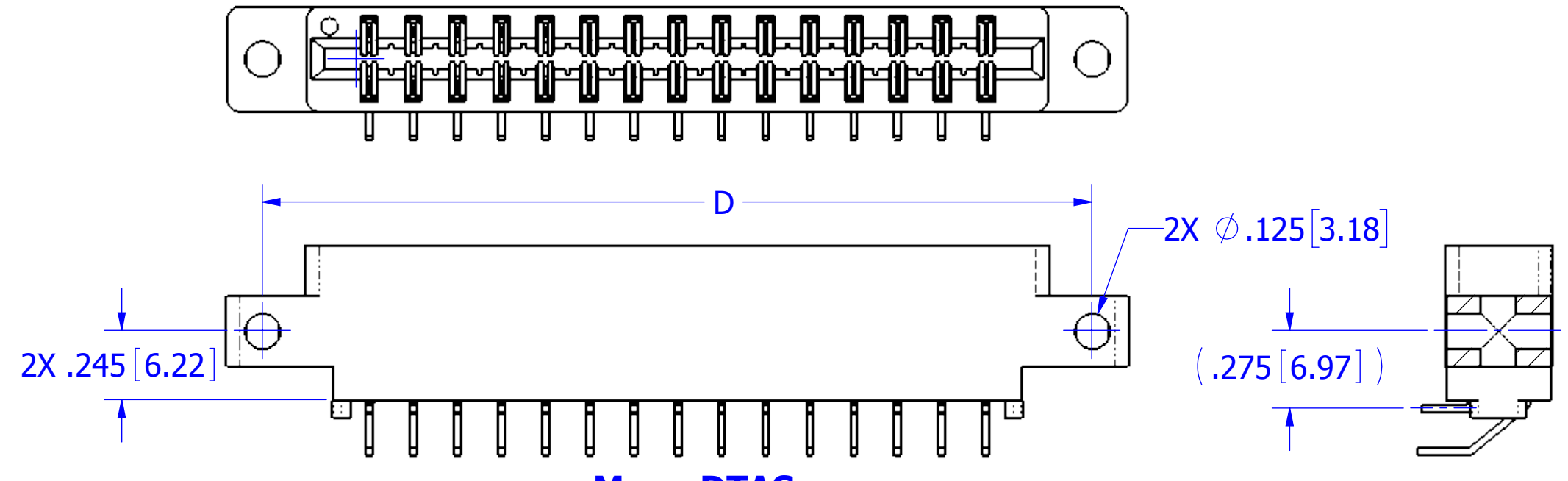
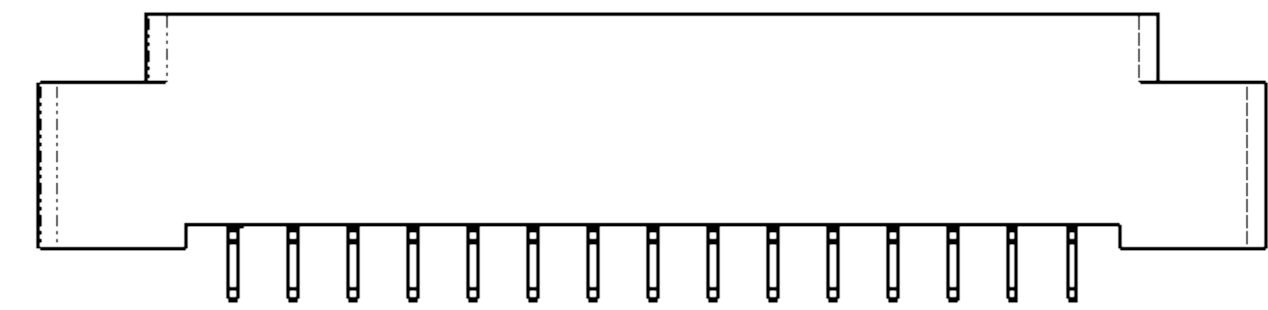


2X Ø.125 [3.18]

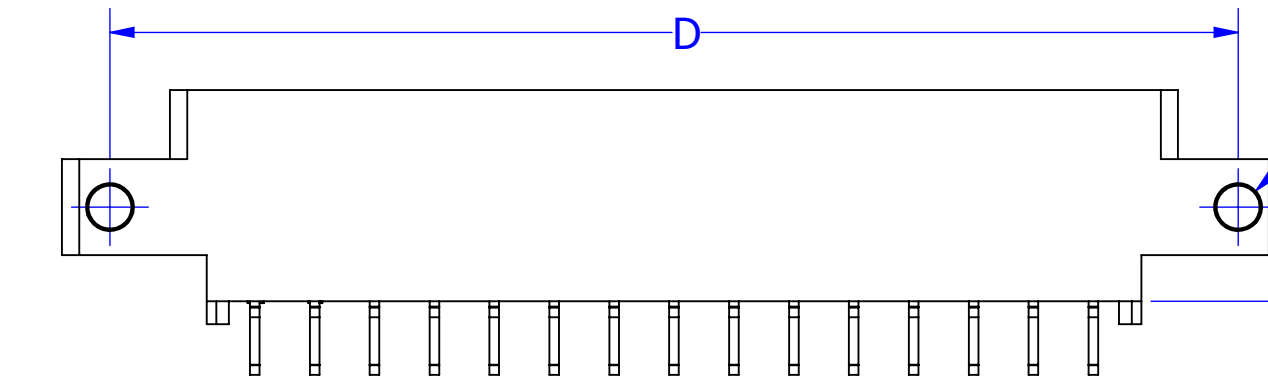
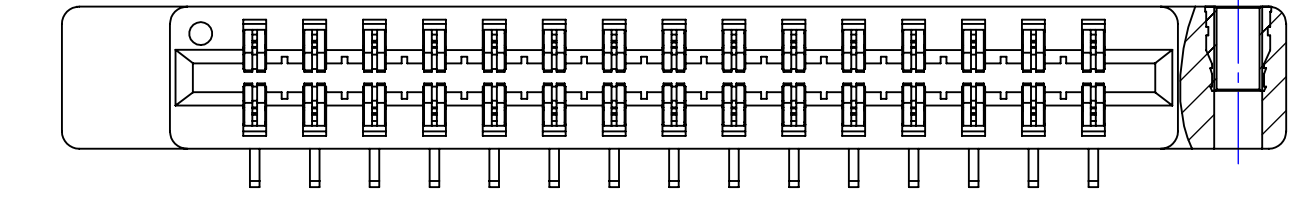
.430 [10.92] FOR  
-- M -- DTA W  
-- M -- DTB W  
-- M -- DTM W

.250 [6.35] FOR  
-- M -- DTAD  
-- M -- DTBD  
-- M -- DTM D

-- M -- DTA W, -- M -- DTAD  
-- M -- DTB W, -- M -- DTAD  
-- M -- DTM W, -- M -- DTAD



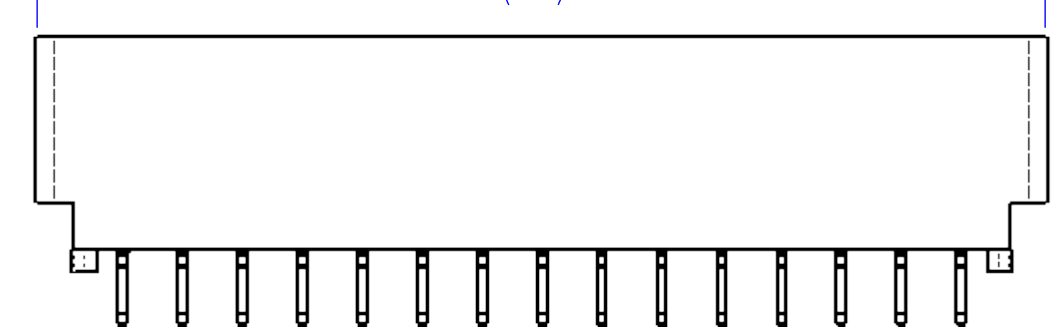
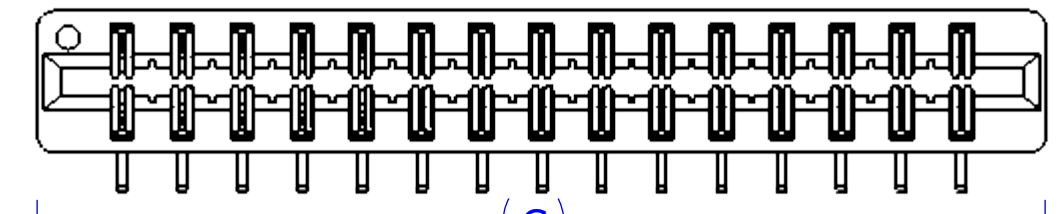
-- M -- DTAS  
-- M -- DTBS  
-- M -- DTM S



2X #4-40  
THREADED  
INSERTS

.245 [6.22]

-- M -- DTAA  
-- M -- DTBA  
-- M -- DTM A



-- M -- DTAN  
-- M -- DTBN  
-- M -- DTM N

**CUSTOMER COPY**



UNLESS OTHERWISE SPECIFIED:  
DIMENSIONS ARE IN INCHES [MM]

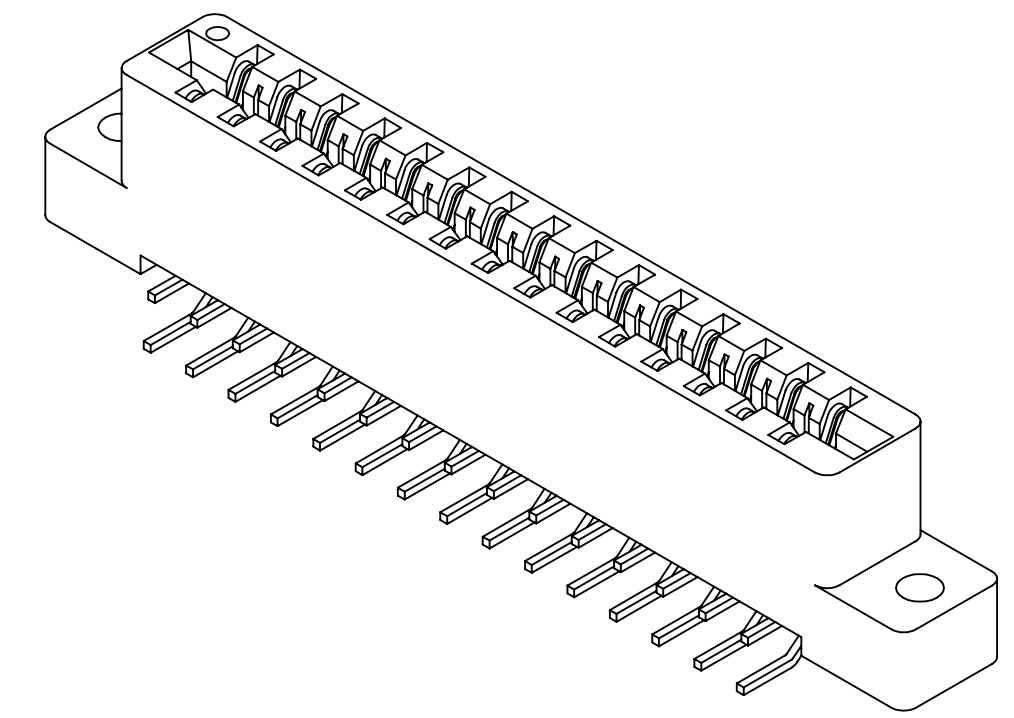
TOLERANCES:  
ANGULAR: ± 1°  
DECIMALS  
.XX = ± .02 [.5]  
.XXX = ± .005 [.13]  
.XXXX = ± .0005 [.013]

DRAWN	DATE	NAME
	06/15/12	KV
<small>THE INFORMATION HEREIN CONTAINS PROPRIETARY INFORMATION OF SULLINS ELECTRONICS AND IS NOT TO BE REPRODUCED, USED OR DISCLOSED TO OTHERS FOR ANY PURPOSE EXCEPT AS SPECIFICALLY AUTHORIZED IN WRITING BY AN OFFICER OF SULLINS ELECTRONICS.</small>		

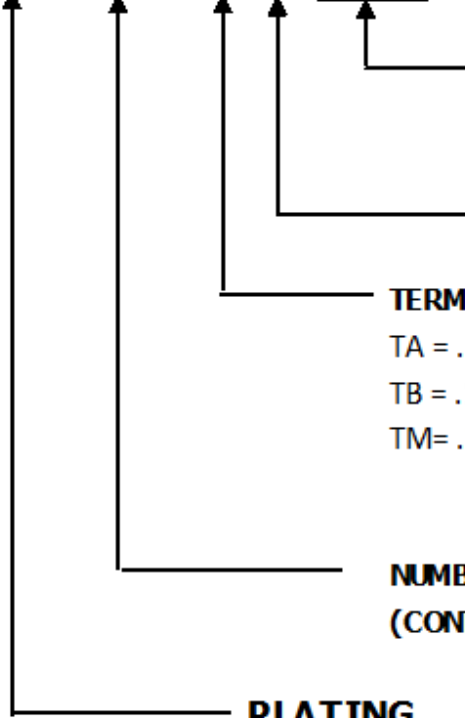
TITLE EDGE CARD, .156 CC, HP			
PART NUMBER -- M -- DTA (DTB, DTM)_			
SIZE C	CAGE CODE 54453	DWG. NO. C11699	REV E
SCALE: 2:1		SHEET 2 OF 3	



PART NUMBER	NO. OF POSITIONS	A±.008[0.20]		B±.008[0.20]		C±.015[0.38]		D±.010[0.25]		E±.020[0.51]		F±.015[0.38]	
		INCH	MM	INCH	MM	INCH	MM	INCH	MM	INCH	MM	INCH	MM
M06D__-S__	6	0.780	19.81	1.102	27.99	1.221	31.01	1.534	38.96	1.784	45.31	1.030	26.16
M08D__-S__	8	1.092	27.74	1.414	35.92	1.533	38.94	1.846	46.89	2.096	53.24	1.342	34.09
M10D__-S__	10	1.404	35.66	1.726	43.84	1.845	46.86	2.158	54.81	2.408	61.16	1.654	42.01
M12D__-S__	12	1.716	43.59	2.038	51.77	2.157	54.79	2.470	62.74	2.720	69.09	1.966	49.94
M15D__-S__	15	2.184	55.47	2.506	63.65	2.625	66.68	2.938	74.63	3.188	80.98	2.434	61.82
M18D__-S__	18	2.652	67.36	2.974	75.54	3.093	78.56	3.406	86.51	3.656	92.86	2.902	73.71
M22D__-S__	22	3.276	83.21	3.598	91.39	3.717	94.41	4.030	102.36	4.280	108.71	3.526	89.56
M24D__-S__	24	3.588	91.14	3.910	99.31	4.029	102.34	4.342	110.29	4.592	116.64	3.838	97.49
M25D__-S__	25	3.744	95.10	4.066	103.28	4.185	106.30	4.498	114.25	4.748	120.60	3.994	101.45
M28D__-S__	28	4.212	106.98	4.534	115.16	4.653	118.19	4.966	126.14	5.216	132.49	4.462	113.33
M30D__-S__	30	4.524	114.91	4.846	123.09	4.965	126.11	5.278	134.06	5.528	140.41	4.774	121.26
M31D__-S__	31	4.680	118.87	5.002	127.05	5.121	130.07	5.434	138.02	5.684	144.37	4.930	125.22
M36D__-S__	36	5.460	138.68	5.782	146.86	5.901	149.89	6.214	157.84	6.464	164.19	5.710	145.03
M40D__-S__	40	6.084	154.53	6.406	162.71	6.525	165.74	6.838	173.69	7.088	180.04	6.334	160.88
M43D__-S__	43	6.552	166.42	6.874	174.60	6.993	177.62	7.306	185.57	7.556	191.92	6.802	172.77
M47D__-S__	47	7.176	182.27	7.498	190.45	7.617	193.47	7.930	201.42	8.180	207.77	7.426	188.62
M50D__-S__	50	7.644	194.16	7.966	202.34	8.085	205.36	8.398	213.31	8.648	219.66	7.894	200.51



**PART NUMBER CODING**



- MATERIALS (INSULATOR / CONTACT)**
- E = PBT/PHOSPHOR BRONZE**  
OPERATING TEMP: -65°C TO +125°C  
PROCESSING TEMP: WAVE/MANUAL SOLDERING ONLY
  - R = PPS/PHOSPHOR BRONZE**  
OPERATING TEMP: -65°C TO +125°C  
PROCESSING TEMP: 260°C MAX FOR 20 SECS
  - G = PA9T/PHOSPHOR BRONZE**  
OPERATING TEMP: -65°C TO +125°C  
PROCESSING TEMP: 260°C MAX FOR 20 SECS
  - H = PBT/BERYLLIUM COPPER**  
OPERATING TEMP: -65°C TO +125°C  
PROCESSING TEMP: WAVE/MANUAL SOLDERING ONLY
  - A = PPS/BERYLLIUM COPPER**  
OPERATING TEMP: -65°C TO +150°C  
PROCESSING TEMP: 260°C MAX FOR 20 SECS
  - J = PA9T/BERYLLIUM COPPER**  
OPERATING TEMP: -65°C TO +150°C  
PROCESSING TEMP: 260°C MAX FOR 20 SECS

**MODIFICATION**  
(SEE MODIFICATION NOTE ON PAGE 1)

- TERMINATION TYPE (TAIL LENGTH)**
- TA = .100" TAIL LENGTH
  - TB = .180" TAIL LENGTH
  - TM = .250" TAIL LENGTH

**NUMBER OF POSITIONS (CONTACTS PER ROW)**

**PLATING**  
ALL PLATINGS HAVE .000050" NICKEL UNDERPLATE

- CONTACT SURFACE**
- G = .000010" GOLD
  - Y = .000030" GOLD
  - B = .000010" GOLD
  - C = .000030" GOLD
  - E = .000100" PURE TIN, MATTE
  - S = .000010" GOLD
  - M = .000030" GOLD

- TERMINATION**
- .000005" GOLD
  - .000005" GOLD
  - .000100" PURE TIN, MATTE
  - .000100" PURE TIN, MATTE
  - .000100" PURE TIN, MATTE, OVERALL
  - .000010" GOLD OVERALL
  - .000010" GOLD OVERALL

OVERALL PURE TIN ONLY AVAILABLE ON MATERIAL CODES E, R AND G

**CUSTOMER COPY**



UNLESS OTHERWISE SPECIFIED: DIMENSIONS ARE IN INCHES [MM]	DRAWN	DATE	NAME	
		06/15/12	KV	
TOLERANCES: ANGULAR: ± 1° DECIMALS .XX=± .02 [.5] .XXX=± .005 [.13] .XXXX=± .0005 [.013]	<small>THE INFORMATION HEREIN CONTAINS PROPRIETARY INFORMATION OF SULLINS ELECTRONICS AND IS NOT TO BE REPRODUCED, USED OR DISCLOSED TO OTHERS FOR ANY PURPOSE EXCEPT AS SPECIFICALLY AUTHORIZED IN WRITING BY AN OFFICER OF SULLINS ELECTRONICS.</small>			TITLE
				EDGE CARD, .156 CC, HP
PART NUMBER				REV
__M__DTA (DTB, DTM)_				E
SIZE	CAGE CODE	DWG. NO.		
C	54453	C11699		
SCALE: 2:1			SHEET 3 OF 3	