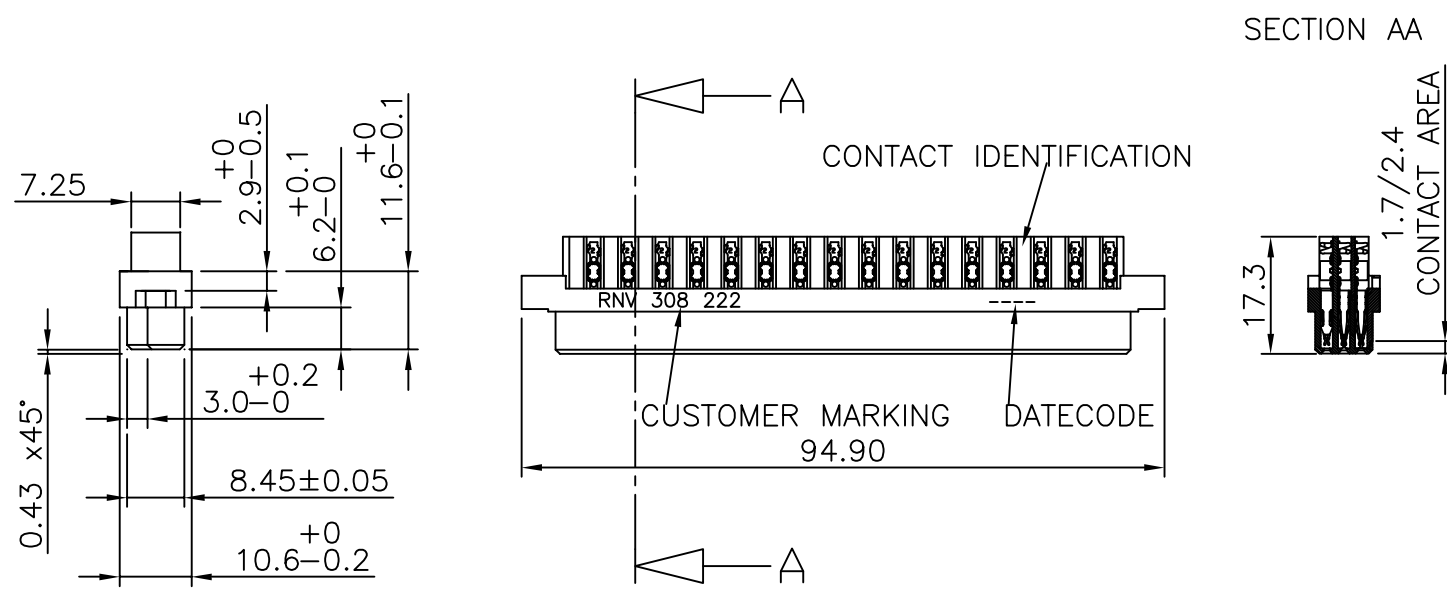


PRODUCT NUMBER BPS8B96NND200L9 ← LEADED PRODUCT
 PRODUCT NUMBER BPS8B96NND200L9LF ← LEAD FREE OR RoHS COMPATIBLE PRODUCT

NOTES:-
 1. THE "LF" PRODUCTS MEET EUROPEAN UNION DIRECTIVES AND OTHER COUNTRY REGULATIONS AS DESCRIBED IN GS-22-008.
 2. LEAD FREE OR RoHS DIRECTIVE LABELING TO BE PROVIDED AS PER GS-14-920 FOR RoHS COMPATIBLE/ LEAD FREE VERSION.



PERFORMANCES CHARACTERISTICS

VOLTAGE RATING : 250 VAC (rms)
 CURRENT RATING : 1,5 A AT 25 °C, 1 A AT 70 °C.
 INSULATION RESISTANCE : 1000 MΩ INITIAL, 100 MΩ MIN. AFTER TEST.
 DIELECTRIC WITH-
 STANDING VOLTAGE : 1000 VAC (rms).
 CONTACT RESISTANCE : 15 mΩ MAX. INITIAL, 5 mΩ MAX. RISE OF INITIAL VALUE AFTER TEST.
 OPERATING TEMPERATURE*: -40 °C TO +125 °C.
 INSERTION FORCE : 1 N MAX./CONTACT.
 WITHDRAWAL FORCE : 0,2 N MIN./CONTACT.

*DEPENDING ON THE CABLE, THE MAX. TEMPERATURE CAN BE LOWER.
 FOR STANDARD PVC INSULATED CABLE : 105 °C MAX.

CONSTRUCTION

BODY MATERIAL : GLASS-REINFORCED THERMOPLASTIC (UL94V-0).
 CONTACT MATERIAL : PHOSPHOR BRONZE.
 CONTACT FINISH : 3 μm Au MIN. OVER 2 μm Ni MIN. IN CONTACT AREA, 3μm SnPb MAX. OVER 1.5μm Ni MAX. ON I.D.C TERMINAL FOR LEADED PRODUCTS Sn (MATTE TIN) OVER Ni ON I.D.C TERMINAL FOR LEAD FREE PRODUCTS

PART NUMBERS

BPS8B96NND200EC CONNECTOR FOR WIRE SIZE AWG24, AWG26.
 BPS8B96NND200ECLF CONNECTOR FOR WIRE SIZE AWG24, AWG26.

(CONTACT IDENTIFICATION : 2).

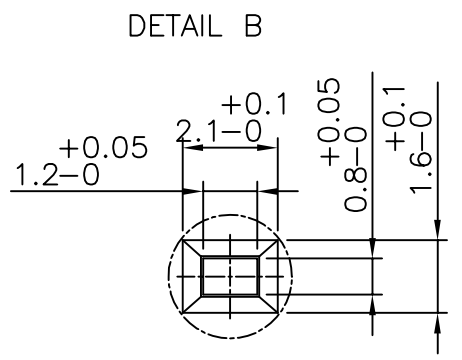
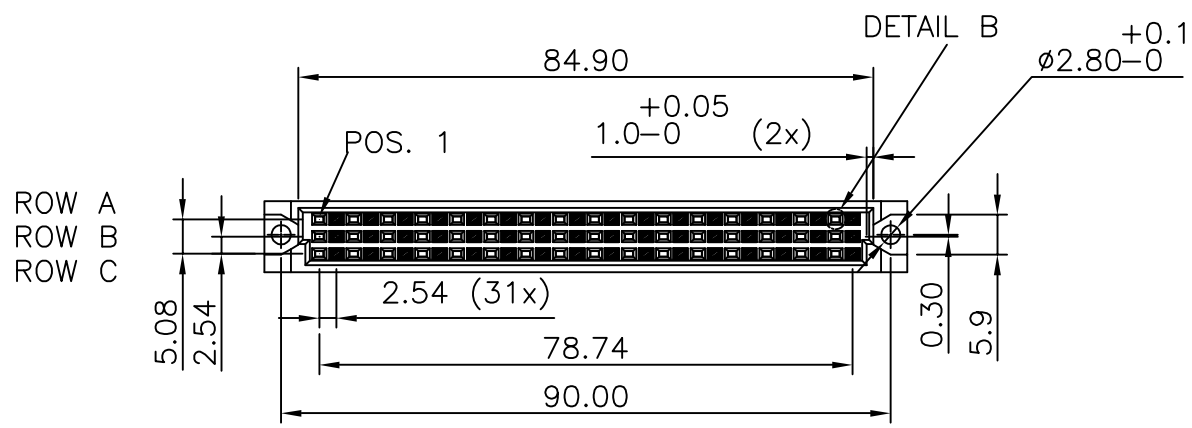
CUSTOMER MARKING

PARTNUMBER ERICSSON : RNV 311 302

DATECODE

YEAR & WEEKCODE EXAMPLE : 9950

OTHER REQUIREMENTS IN ACC. WITH: ERICSSON SPEC. 1301 RNV 311 UEN



CONTACT ARRANGEMENT

- CAVITIES EQUIPPED WITH CONTACTS
- ▨ CAVITIES WITHOUT CONTACTS

mat'l. code		surface		tolerance		projection		product family	
SEE NOTE		ISO 1302		ISO 406 ISO 1101		mm		BPS8	
ltr	ecn no	dr	date	tolerances unless otherwise specified		mm		title	
A	F00819	DLE	2000-10-18	angles		mm		ASSY BPS8	
B	105-0156	MINI	2005-09-06	linear		mm		96 POS. A,B,C LOADED SPECIAL	
C	106-0067	MINI	2006-06-01	±1'		scale -		dwg no	
				dr		D.LEGRAND		2000-10-18	
				enr		J.F.NOTTEAU		2000-10-18	
				chr		RAKHEE GEORGE		2006-06-01	
				appd		RAKHEE GEORGE		2006-06-01	
sheet index		revision sheet		B				sheet 1 of 1 size	
		1						55368 A3	
								type Product Customer Drawing	



Copyright FCI