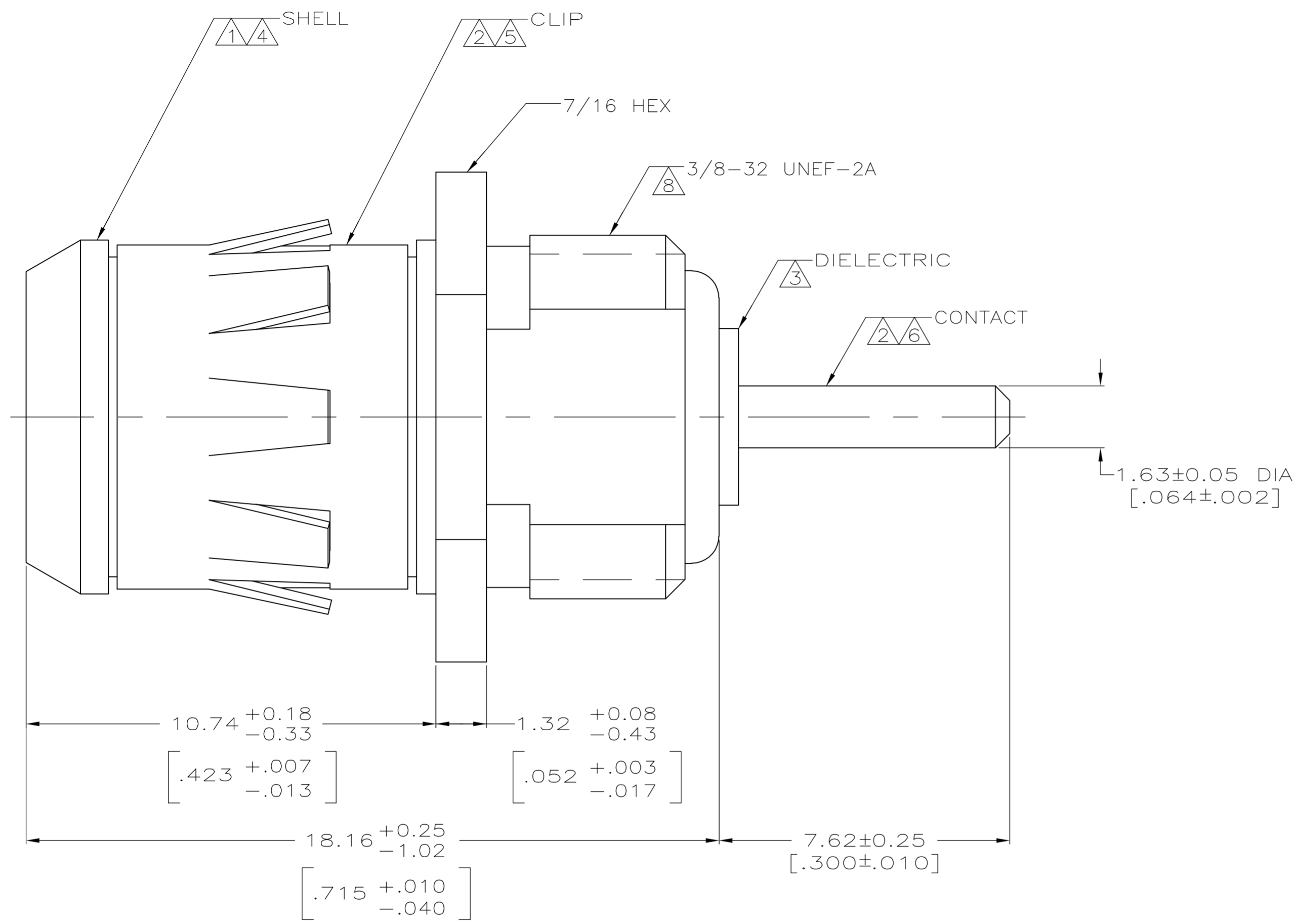
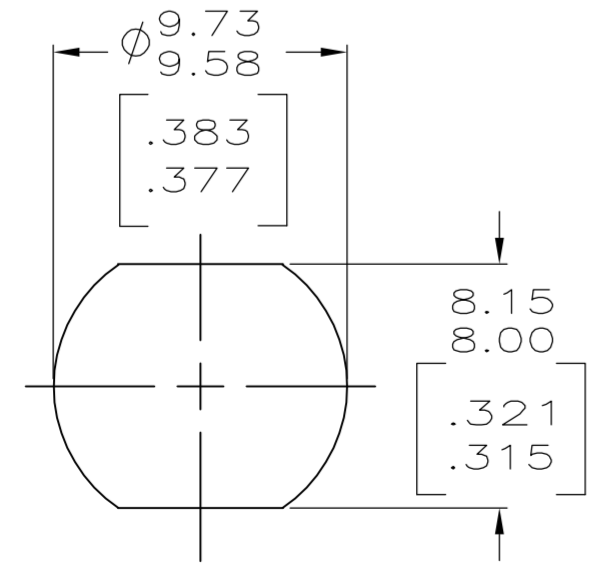


THIS DRAWING IS UNPUBLISHED. RELEASED FOR PUBLICATION
 © COPYRIGHT BY TYCO ELECTRONICS CORPORATION. ALL RIGHTS RESERVED.

LOC	DIST	REVISIONS					
		P	LTR	DESCRIPTION	DATE	DWN	APVD
AJ	16	0		RELEASED.	08DEC2005	JGH	JGH



- ① ZINC PER ASTM B 86.
- ② BERYLLIUM COPPER PER ASTM B 196.
- ③ POLYMETHYLPENTENE, BLUE, GENERAL PURPOSE.
- ④ TIN PLATE PER ASTM B 545
3.81 μm [.000180] MINIMUM THICK.
- ⑤ TIN PLATE PER ASTM B 545
2.54 μm [.000100] MINIMUM THICK.
- ⑥ SILVER PLATE PER ASTM B 700
5.08 μm [.000200] MINIMUM THICK.
- 7. CONNECTOR WILL ACCEPT CENTER CONDUCTOR
DIAMETER RANGE OF 0.97[.038]–1.65[.065].
- ⑧ MAJOR DIAMETER MODIFIED TO .363 REF.



SCALE 4:1
RECOMMENDED PANEL CUTOUT

5415332-1
PART NO

THIS DRAWING IS A CONTROLLED DOCUMENT.		DWN J. HAVENER 08DEC2005	Tyco Electronics Corporation Harrisburg, PA 17105-3608	
DIMENSIONS: mm [INCHES]		CHK K. WEIDNER 08DEC2005		
TOLERANCES UNLESS OTHERWISE SPECIFIED:		APVD K. WEIDNER 08DEC2005	NAME JACK, 15 AMP, PCB, G SERIES	
0 PLC ± - 1 PLC ± - 2 PLC ± - 3 PLC ± - 4 PLC ± - ANGLES ± -		PRODUCT SPEC -	APPLICATION SPEC -	RESTRICTED TO -
MATERIAL SEE NOTES 1-3		FINISH SEE NOTES 4-6	WEIGHT -	SIZE A2
		CUSTOMER DRAWING		CAGE CODE 00779
		DRAWING NO 5415332		SCALE 10:1
		SHEET 1 of 1		REV 0