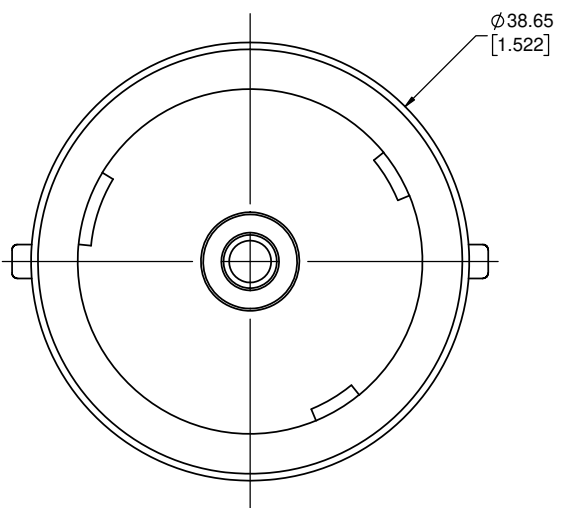
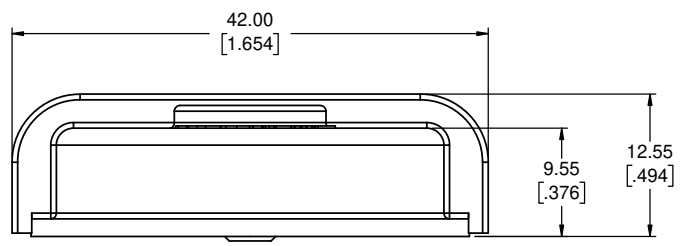
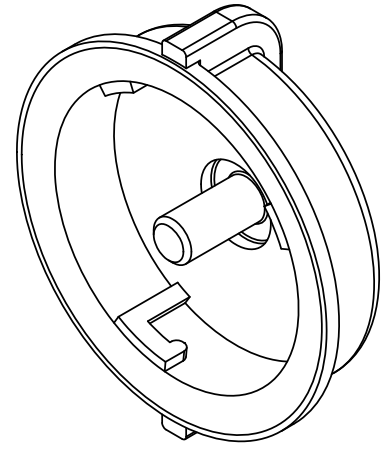
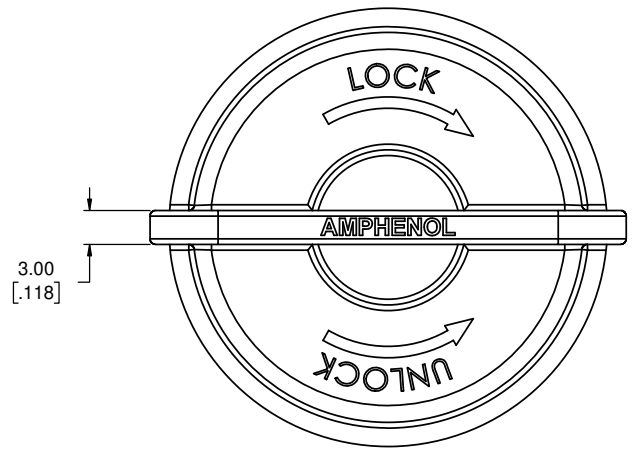


REVISIONS			
REV	DESCRIPTION, ECN, EAR NO.	DATE	APP'D
B	BP ADDED TO PART NUMBER	DEC03/18	S.M
C	TYPO UPDATE	MAY14/19	S.M
D	CHANGED THE HEIGHT SIZE TO 12.55mm	DEC17/19	A.G



NOTES:

- MATERIALS: ALL MATERIALS ARE RoHS COMPLIANT PER EU DIRECTIVE 2011/65/EU & AMENDMENTS.
 - CAP HOUSING: PBT, COLOUR: BLACK

AMPHENOL PART NUMBER: FLS-2SC40-01BP



UNLESS SPECIFIED OTHERWISE	DRAWN	J.KONG	JUL25/18
PRIMARY UNITS MILLIMETERS	CHECKED	S.MUGAN	NOV27/18
SECONDARY INCHES	M.E. APP'D		
REFERENCE IN PARENTHESES	Q.A. APP'D		
GENERAL TOLERANCES	DWG APPR.		
1 DECIMAL PLACE	ENG. REL. NO.		
2 DECIMAL PLACES ±0.2	REF.		
3 DECIMAL PLACES	THIRD ANGLE PROJECTION		
ANGULAR DEGREES	DO NOT SCALE DRAWING		

Amphenol Canada Corp. Commercial Products			
FLS SERIES, LUMINAIRE RECEPTACLE CAP ZHAGA COMPLIANT RoHS COMPLIANT			
DWG. NO.	P-FLS-2SC40-01BP		REV D
CODE ID NO. 03554	DWG SIZE: X	SCALE: 2:1	SHEET 1 OF 1

THIS DOCUMENT CONTAINS PROPRIETARY INFORMATION AND SUCH INFORMATION MAY NOT BE DISCLOSED TO OTHERS FOR ANY PURPOSE OR USED FOR MANUFACTURING PURPOSES WITHOUT WRITTEN PERMISSION FROM AMPHENOL CANADA CORP.