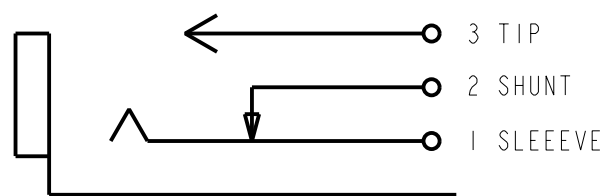


NOTES:

1. THIS PRODUCT IS RoHS COMPLIANT
2. ALL DIMENSIONS ARE REFERENCE.
3. MATERIALS:

HOUSING: THERMOPLASTIC, BLACK
 SPRING CONTACT: COPPER ALLOY, SILVER PLATED
 SHUNT TERMINAL: COPPER ALLOY, SILVER PLATED
 PIN CONTACT: COPPER ALLOY, SILVER PLATED
 CENTER PIN: COPPER ALLOY, NICKEL PLATED



SCHMATIC

CUSTOMER DRAWING

REV	ECO NUMBER	DATE	BY	APVD
A	25129	9-12-05	JL	MW
REVISIONS				

★ STAR SYMBOL DENOTES CRITICAL DIMENSION

UNLESS OTHERWISE SPECIFIED

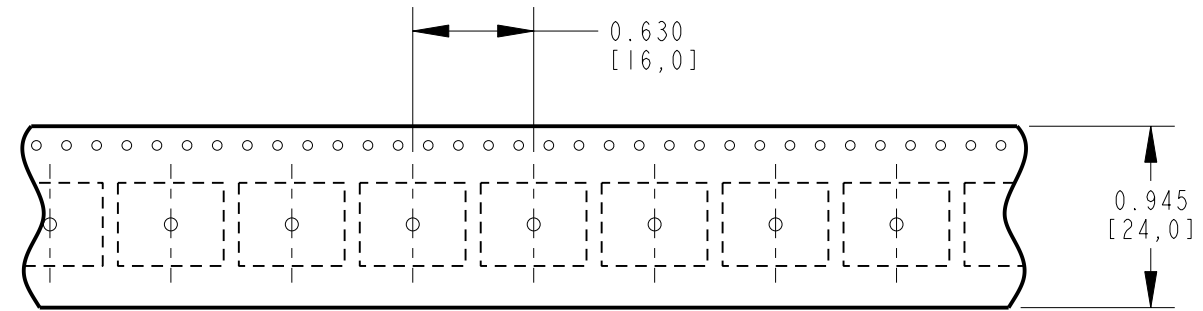
1. ALL DIMENSIONS IN INCHES
 - TWO PLACE DECIMALS ±0.01
 - THREE PLACE DECIMALS ±0.005
 - ANGLES ±1°
 - ALL DIA. CONCENTRIC WITHIN 0.005 T.I.R.
2. FEATURES ON THE SAME CENTERLINE MUST BE ALIGNED WITHIN ±0.002
3. REMOVE ALL BURRS

DO NOT SCALE DRAWING

THIS DRAWING DESCRIBES A DESIGN CONSIDERED PROPRIETARY IN NATURE, DEVELOPED AND MANUFACTURED BY SWITCHCRAFT INC. AND IS RELEASED ON A CONFIDENTIAL BASIS FOR IDENTIFICATION PURPOSES ONLY.									
SIZE		WIDTH		MULT		LBS/M		TEMPER	
FINISH					MATERIAL				
SPEC No.					SPEC No.				
FIRST USED ON				SCALE					
				5 : 1					
DATE DRAWN	BY	CHKD	APVD						
12-Sep-05	JL	MW	MW						
			9-12-05	9-12-05					
NAME								PART No.	
RIGHT ANGLE SMT								RASM742TRX	
DC JACK, Ø1mm PIN, RoHS								REV	
								A	

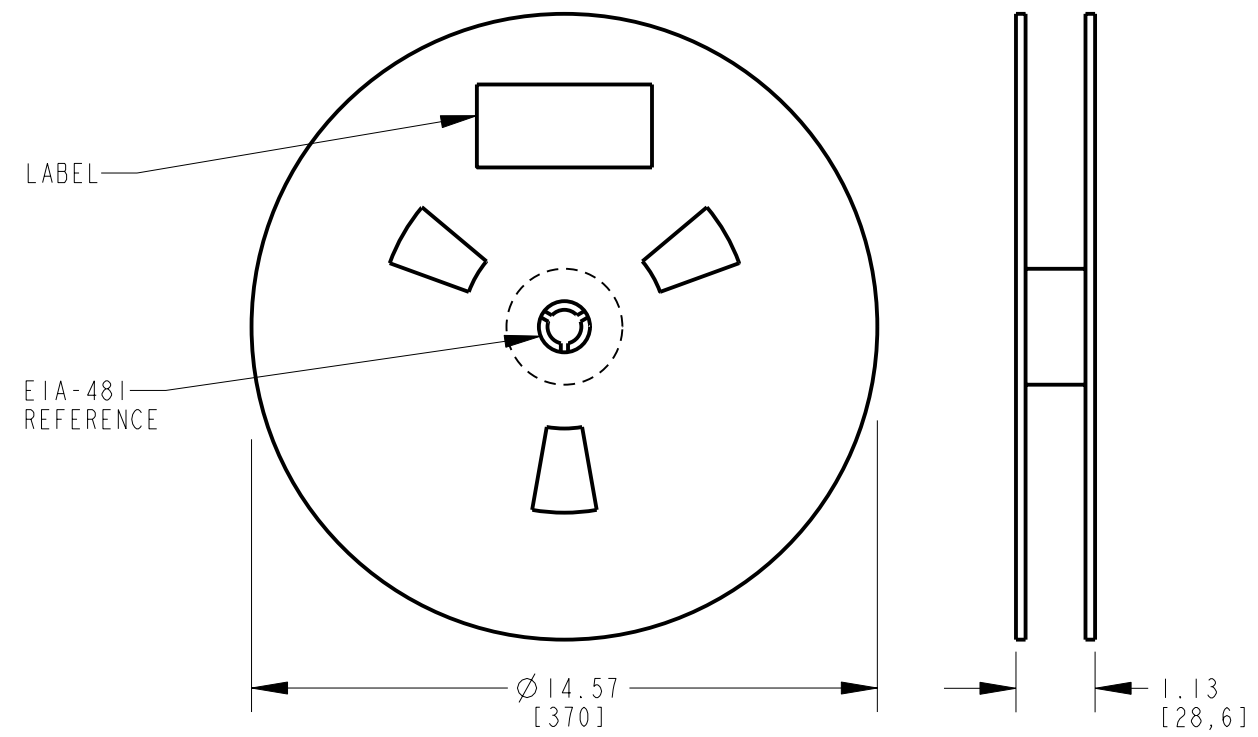
A: CARRIER SIZE

1. DETAIL SIZES REFERENCE: EIA-481
2. SPECIFICATION: 24 MM X 16 MM
3. COVER TAPE: SPECIFICATION ATTACHED (CONDUCTIVE)



B: REEL SIZE

1. QUANTITY: 800 PCS/REEL
2. MATERIAL: THERMOPLASTIC



CUSTOMER DRAWING

SCALE	Switchcraft [®]		
DATE DRAWN			
12-Sep-05	SHEET 2 OF 2		
DRAWN BY	PART No.	REV	
JL	RASM742TRX	A	