



Key-operated switch O.M.R, 22 mm, round, plastic with metal front ring, lock number 73034, black, with 2 keys, 3 switch positions I>O<II, momentary contact type, actuating angle 2x45°, 10:30h/12h/13:30h, key removal O, Z=50-unit packaging

|   |   |
|---|---|
| <b>product brand name</b>                                 | SIRIUS ACT  |
| <b>product designation</b>                                | Key-operated switches   |
| <b>design of the product</b>                              | Actuating/signaling element   |
| <b>product type designation</b>                           | 3SU1  |
| <b>product line</b>                                       | Plastic with metal front ring, matt, 22 mm                            |
| <b>manufacturer's article number of included key</b>      | <a href="#">3SU1950-0FL10-0AA0</a>                                    |
| <b>Actuator</b>   |   |
| <b>principle of operation of the actuating element</b>    | momentary contact, 2x45° (10:30 h/12 h/13:30 h), return on both sides |
| <b>product extension optional light source</b>            | No  |
| <b>color</b>  |   |
| • of the actuating element                                | silver  |
| <b>material of the actuating element</b>                  | metal   |
| <b>shape of the actuating element</b>                     | Key   |
| <b>outer diameter of the actuating element</b>            | 29.5 mm   |
| <b>number of switching positions</b>                      | 3   |
| <b>switch position for key distraction</b>                | O   |
| <b>actuating angle</b>                                    |   |
| • clockwise   | 45°   |
| • anticlockwise   | 45°   |
| <b>lock make</b>  | O.M.R.  |
| <b>key number</b>   | 73034   |
| <b>Front ring</b>   |   |
| <b>product component front ring</b>                       | Yes   |
| <b>design of the front ring</b>                           | Standard  |
| <b>material of the front ring</b>                         | Metal, matt   |
| <b>color of the front ring</b>                            | sand gray   |
| <b>General technical data</b>                             |   |
| <b>protection class IP</b>                                | IP66, IP67, IP69(IP69K)   |
| • of the terminal   | IP20  |
| <b>degree of protection NEMA rating</b>                   | 1, 2, 3, 3R, 4, 4X, 12, 13  |
| <b>shock resistance</b>                                   |   |
| • according to IEC 60068-2-27                             | sinusoidal half-wave 15g / 11 ms                                      |
| • for railway applications according to EN 61373          | Category 1, Class B   |
| <b>vibration resistance</b>                               |   |
| • according to IEC 60068-2-6                              | 10 ... 500 Hz: 5g   |
| • for railway applications according to EN 61373          | Category 1, Class B   |
| <b>operating frequency maximum</b>                        | 1 800 1/h   |
| <b>mechanical service life (switching cycles) typical</b> | 1 000 000   |
| <b>reference code according to IEC 81346-2</b>            | S   |

|  |  |
|--|--|
| <b>Substance Prohibitance (Date)</b>                           | 10/01/2014   |
| <b>Ambient conditions</b>                                      |  |
| <b>ambient temperature</b>                                     |  |
| • during operation   | -25 ... +70 °C   |
| • during storage   | -40 ... +80 °C   |
| environmental category during operation according to IEC 60721 | 3M6, 3S2, 3B2, 3C3, 3K6 (with relative air humidity of 10 ... 95%) |
| <b>Installation/ mounting/ dimensions</b>                      |  |
| <b>height</b>  | 29.5 mm  |
| <b>width</b>   | 29.5 mm  |
| <b>shape of the installation opening</b>                       | round  |
| <b>mounting diameter</b>                                       | 22.3 mm  |
| <b>positive tolerance of installation diameter</b>             | 0.4 mm   |
| <b>mounting height</b>   | 51.7 mm  |
| <b>installation width</b>                                      | 29.5 mm  |
| <b>installation depth</b>                                      | 25.4 mm  |
| <b>Certificates/ approvals</b>                                 |  |
| <b>Further information</b>                                     |  |

Information- and Downloadcenter (Catalogs, Brochures,...)

<https://www.siemens.com/ic10>

Industry Mall (Online ordering system)

[https://mall.industry.siemens.com/mall/en/en/Catalog/product?mlfb=3SU1030-4HM01-0AA0-Z\\_X90](https://mall.industry.siemens.com/mall/en/en/Catalog/product?mlfb=3SU1030-4HM01-0AA0-Z_X90)

Cax online generator

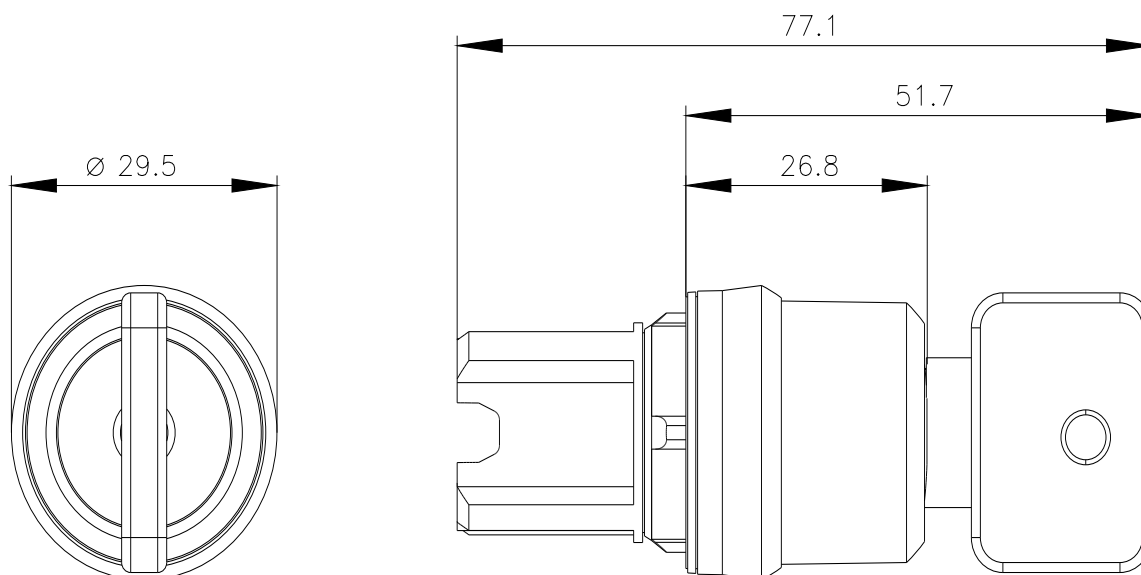
[http://support.automation.siemens.com/WW/CAXorder/default.aspx?lang=en&mlfb=3SU1030-4HM01-0AA0-Z\\_X90](http://support.automation.siemens.com/WW/CAXorder/default.aspx?lang=en&mlfb=3SU1030-4HM01-0AA0-Z_X90)

Service&Support (Manuals, Certificates, Characteristics, FAQs,...)

[https://support.industry.siemens.com/cs/ww/en/ps/3SU1030-4HM01-0AA0-Z\\_X90](https://support.industry.siemens.com/cs/ww/en/ps/3SU1030-4HM01-0AA0-Z_X90)

Image database (product images, 2D dimension drawings, 3D models, device circuit diagrams, EPLAN macros, ...)

[http://www.automation.siemens.com/bilddb/cax\\_de.aspx?mlfb=3SU1030-4HM01-0AA0-Z\\_X90&lang=en](http://www.automation.siemens.com/bilddb/cax_de.aspx?mlfb=3SU1030-4HM01-0AA0-Z_X90&lang=en)



last modified:

1/26/2022 