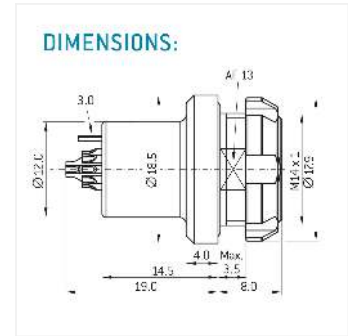
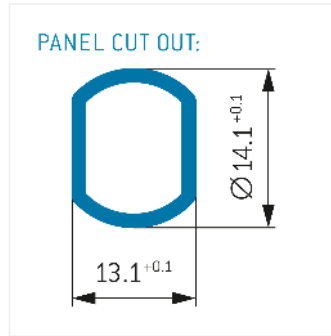
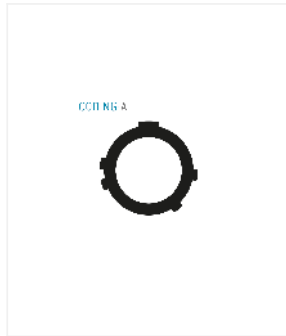


General information

Part number	G81YAR-PD8WCDO-000L
Termination	solder
Size	1
Locking principle	break , push
Coding	a_key_amc
Cable Diameter	cabl_eamc_1



Contact insert description

Number of contacts	8
Contact type	sockets
Contact diameter	05mm
Insulator material	peek
Wire cross section	26_awg
Termination	solder
Termination diameter	065mm
Data transmission	ethernet_1

reverse\_gender\_on\_request

Connection diagram

con\_ethernet\_10

Technical information

Nominal current single contact	05_a	iec_60512_5_2
Nominal current insert	3,25 A	vde_0298_4
Test voltage	1_kv_ac	eia_364_20f

safety\_text

Mechanical and environmental data

Degree of protection*	ipsk8_ip6k9k
Operating temperature	51_125_c
Mating cycles	5000

mated

Material and surface treatments

Housing	ruthenium
Contact	cu_alloy_gold

data\_text

safety\_text\_2  
data\_text  
ul\_text  
illustrative\_text