

NOTES:

1. MATERIALS AND FINISHES:  
 HOUSING: LCP (UL94V-0)  
 CENTER CONTACT: BRASS, GOLD PLATE  
 GROUND CONTACT: PHOSPHOR BRONZE, SILVER PLATE

2. ELECTRICAL:

- A. IMPEDENCE:  $50\Omega$ , NOMINAL  
 B. FREQUENCY RANGE: 0.045 GHz-3GHz (VSWR 1.3 MAX.) 3-6 GHz (VSWR 1.35 MAX)  
 C. OPERATING VOLTAGE: 500 VRMS  
 D. CONTACT RESISTANCE: CENTER CONTACT=  $20\text{m}\Omega$  MAX.  
 OUTER CONTACT =  $10\text{m}\Omega$  MAX.  
 E. DIELECTRIC WITHSTANDING VOLTAGE: 200 VAC FOR 1 MINUTE,  
 CURRENT LEAKAGE 2mA MAX.  
 F. INSULATION RESISTANCE: 500 MEGOHMS MIN.

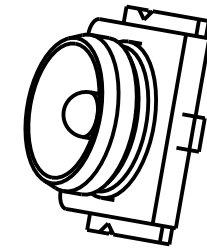
3. PHYSICAL:

- A. DURABILITY: 20 CYCLES  
 B. TEMPERATURE RANGE:  $-40^{\circ}\text{C}$  TO  $+90^{\circ}\text{C}$   
 C. AMMC INTERFACE IS FULLY COMPATIBLE WITH "W.FL" SERIES PRODUCT.  
 D. SUITABLE FOR LEAD-FREE SOLDER REFLOW PROCESS PER 349-50712.

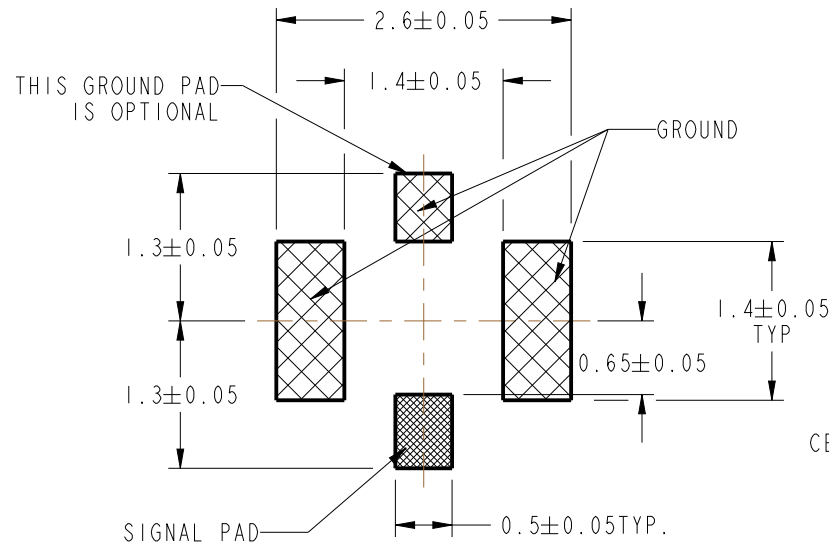
THIRD ANGLE PROJ.

REVISIONS

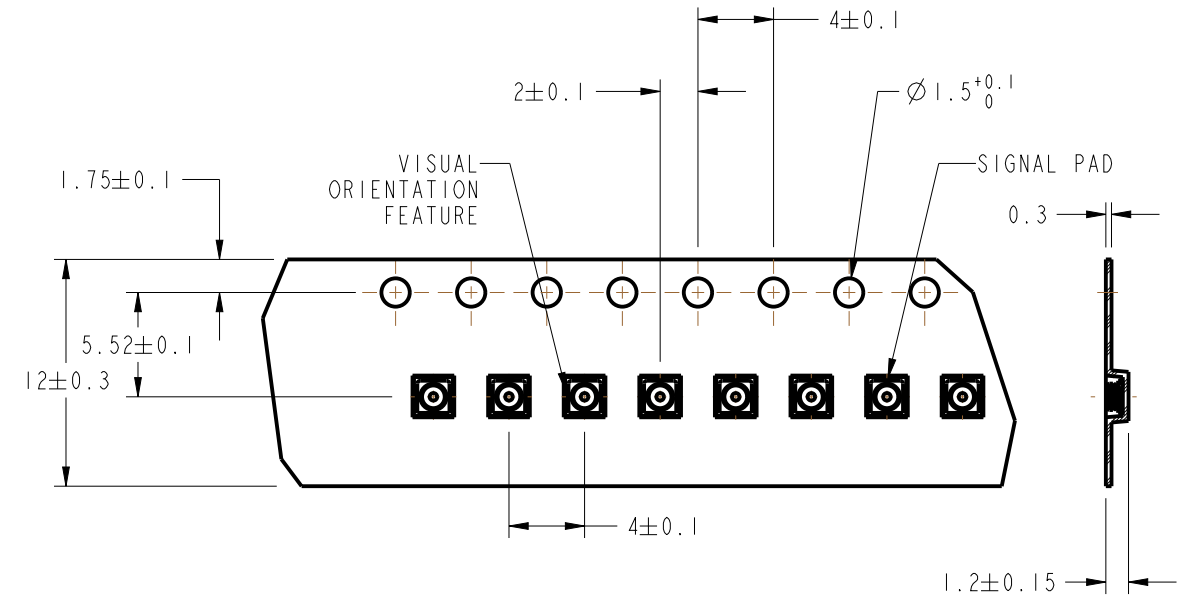
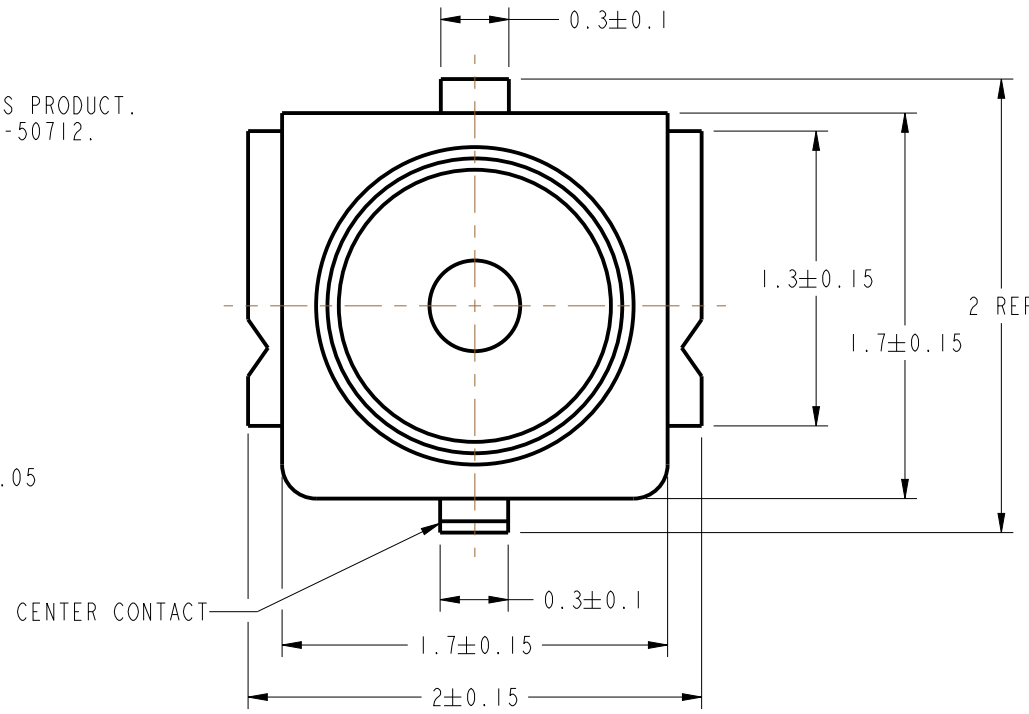
REV	DESCRIPTION	DATE	ECO	APPR
A	RELEASE TO MFG	5/18/07	46540	CPM
B	ADDED PURCHASING DRAWING, TAPE SPACING HALVED	11/10/14	50214	MJD



SCALE 15.000

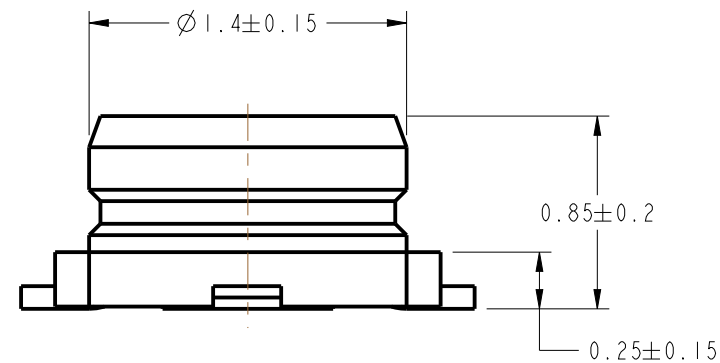


RECOMMENDED PCB PATTERN



UNREELING DIRECTION

EMBOSSED CARRIER TAPE DIMENSIONS



**CUSTOMER OUTLINE DRAWING**

ALL OTHER SHEETS ARE FOR INTERNAL USE ONLY

UNLESS OTHERWISE SPECIFIED, DIMENSIONS ARE IN METRIC AND TOLERANCES ARE:  
 0.5 - 6mm ±0.1mm  
 6 - 30mm ±0.2mm  
 30 - 120mm ±0.3mm  
 ANGLES ±1°

NOTICE - These drawings, specifications, or other data (1) are, and remain the property of Amphenol corp. (2) must be returned upon request; and (3) are confidential and not to be disclosed to any person other than those to whom they are given by Amphenol Corp. the furnishing of these drawings, specifications, or other data by Amphenol Corp., or to any other person to anyone for any purpose is not to be regarded by implication or otherwise in any manner licensing, granting rights to permitting such holder or any other sperson to manufacture, use or sell any product, process or design, patented or otherwise, that may in any way be related to or disclosed by said drawings, specifications, or other data.

MATERIAL	DRAWN H. PARIKH	DATE 10-May-07	TITLE ASSEMBLY AMMC, JACK			Amphenol RF Danbury CT USA, Tainan, Taiwan, Shenzhen, China www.amphenolrf.com	
REFERENCE EAR # 966 AND	ENGINEER H. PARIKH	DATE 10-May-07					
CONFIGURATION LEVEL:	APPROVED M. HOYACK	DATE 5/16/07	SCALE: 30.0:1.0	SHEET 1 OF 2	DRAWING NO. A-2JA		
FINISH	CAD FILE Root Folder/AMC/A-2JA		DWG SIZE B	CODE ID 74868	REV B	ITEM NO. A-2JA	
						PART NO. A-2JA	