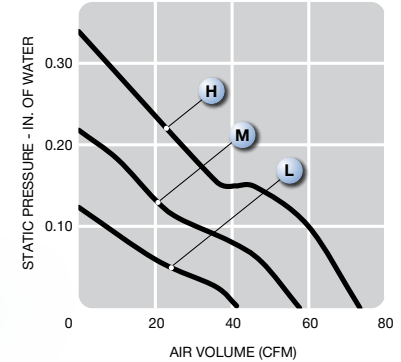
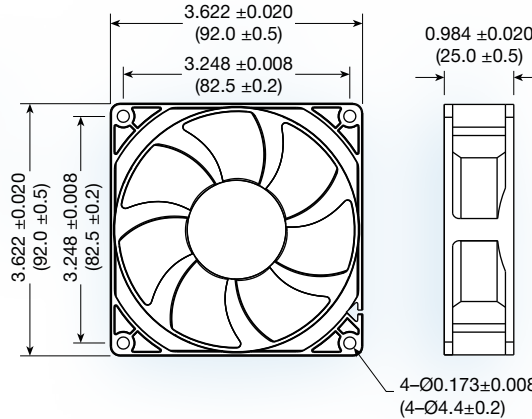


# MS9225-S series



**(92 x 92 x 25 mm)**

3.62 x 3.62 x 1.00 inches

**Features:** soft start, polarity protection, auto-restart

**Operating Voltage:** 12, 24 and 48 VDC

**Construction:** UL94V-0 plastic impeller and plastic frame

**Bearing option:** ball bearing

**Air Flow:** air exhaust over struts

**Options:**

- tachometer;
- locked rotor alarm signal;
- PWM speed control;
- conformal coating;
- encapsulated motor (IP68)



Model No.	Rated Voltage VDC	Current A			Speed RPM	Air Volume		Max. Static Pressure (H <sub>2</sub> O)		Sound Noise dbA	Weight g
		12	24	48		M <sup>3</sup> /Min.	CFM	MM	INCH		
<b>MS9225L-S</b>	12/24/48	0.10	0.06	0.04	2,500	1.17	41.3	3.12	0.12	33	102
<b>MS9225M-S</b>	12/24/48	0.27	0.13	0.07	3,500	1.65	58.1	5.58	0.22	43	102
<b>MS9225H-S</b>	24/48	0.40	0.27	0.12	4,500	2.08	73.6	8.57	0.34	49	102

\*Additional performance levels available, contact Mechatronics for more options