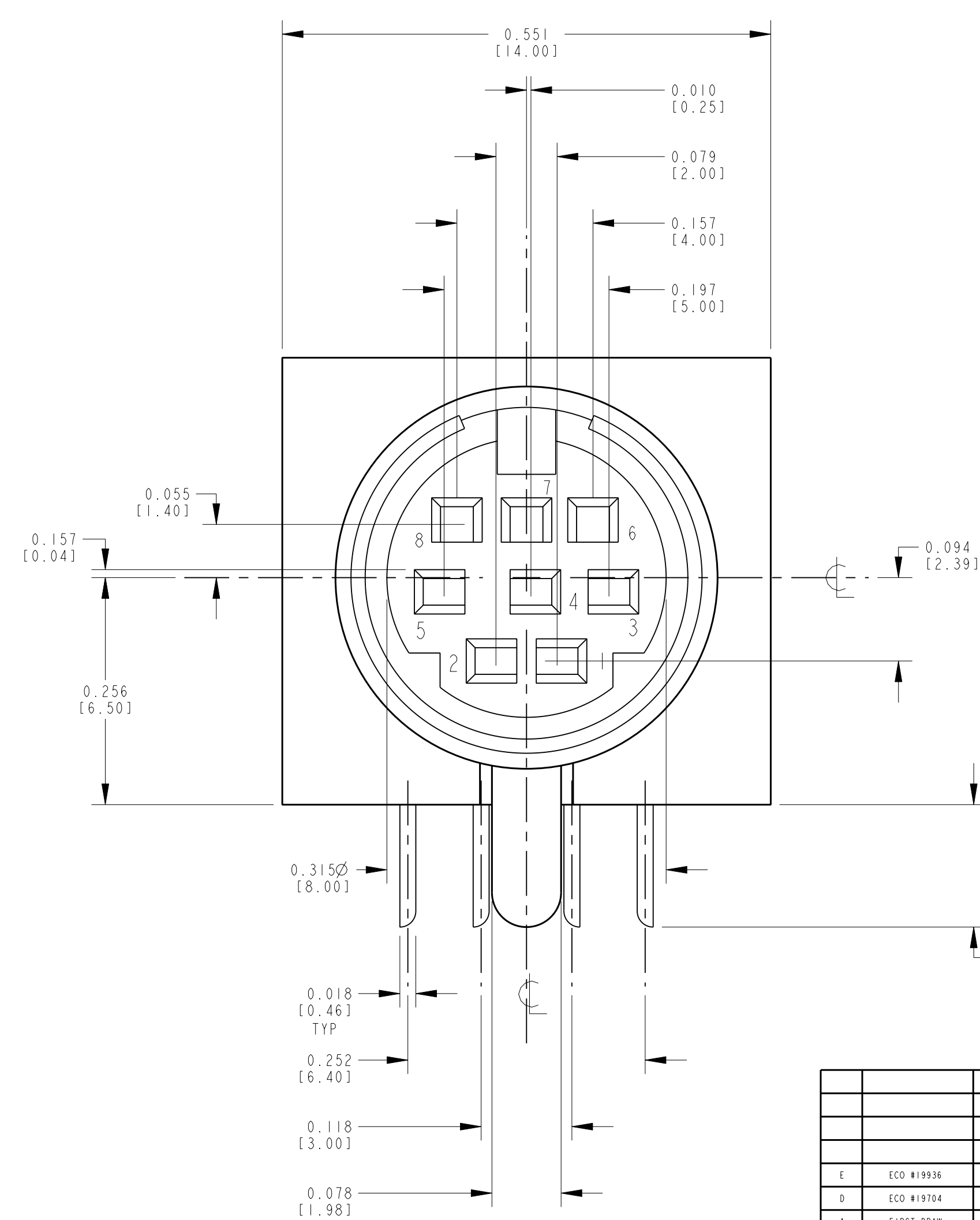
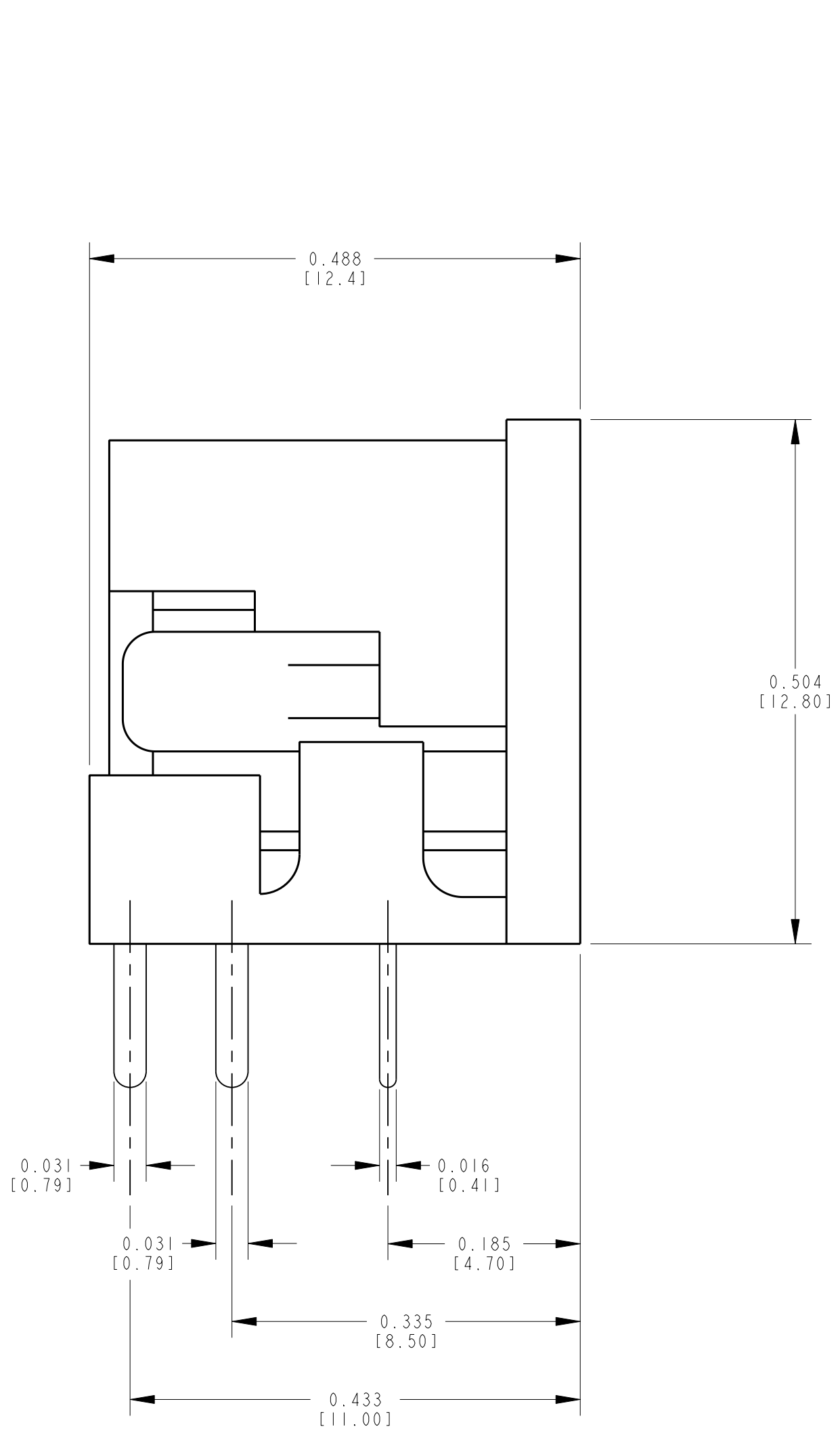


SWITCHCRAFT CATALOG PART NUMBER

SILVER PLATED CONTACT	S-MD3FRA110	SILVER PLATED CONTACT	S-MD4FRA110	SILVER PLATED CONTACT	S-MD5FRA110	SILVER PLATED CONTACT	S-MD6FRA110	SILVER PLATED CONTACT	S-MD7FRA110	SILVER PLATED CONTACT	S-MD8FRA110
<p>FRONT FACE OF CONTACTS</p>		<p>FRONT FACE OF CONTACTS</p>		<p>FRONT FACE OF CONTACTS</p>		<p>FRONT FACE OF CONTACTS</p>		<p>FRONT FACE OF CONTACTS</p>		<p>FRONT FACE OF CONTACTS</p>	
<p>RECOMMENDED P.C. BOARD LAYOUT (SOLDER SIDE) SCALE: 1: .375</p>		<p>RECOMMENDED P.C. BOARD LAYOUT (SOLDER SIDE) SCALE: 1: .375</p>		<p>RECOMMENDED P.C. BOARD LAYOUT (SOLDER SIDE) SCALE: 1: .375</p>		<p>RECOMMENDED P.C. BOARD LAYOUT (SOLDER SIDE) SCALE: 1: .375</p>		<p>RECOMMENDED P.C. BOARD LAYOUT (SOLDER SIDE) SCALE: 1: .375</p>		<p>RECOMMENDED P.C. BOARD LAYOUT (SOLDER SIDE) SCALE: 1: .375</p>	



CURRENT CARRYING CAPACITY
 1A, 100V AC
 2A, 12V DC
 INSULATION RESISTANCE: 50M Ω MIN
 DIELECTRIC STRENGTH: 250V DC/1 MINUTE
 CONTACT RESISTANCE: 30m Ω MAX I
 INSERTION FORCE: 0.8-5 KG / 1.76-111b
 EXTRACTION FORCE: 0.8-4 KG / 1.76-8.81b

CUSTOMER DRAWING

CAD/CAM DWG. NO.
 SMD3-SMD8FRA110_CD
 SHEET 1 OF 1

STAR SYMBOL DENOTES CRITICAL DIMENSION. SEE SPC ENGINEERING STANDARD ES-0001. THIS DRAWING DESCRIBES A DESIGN CONSIDERED PROPRIETARY IN NATURE, DEVELOPED AND MANUFACTURED BY SWITCHCRAFT INC. AND IS RELEASED ON A CONFIDENTIAL BASIS FOR IDENTIFICATION PURPOSE ONLY.			
UNLESS OTHERWISE SPECIFIED			
FINISH	SILVER PLATE	MATERIAL SPEC. NO.	
SCALE	SCALE	SCALE	
DATE DRAWN	BY	CHK'D	APP'D
9-6-90	SG	EB	DV
10-10-90		10-10-90	
NAME	MINI DIN		PART NO.
			SMD3/SMD8FRA110
ISSUE	CHANGE NO.	DATE	BY
DO NOT SCALE DRAWING			