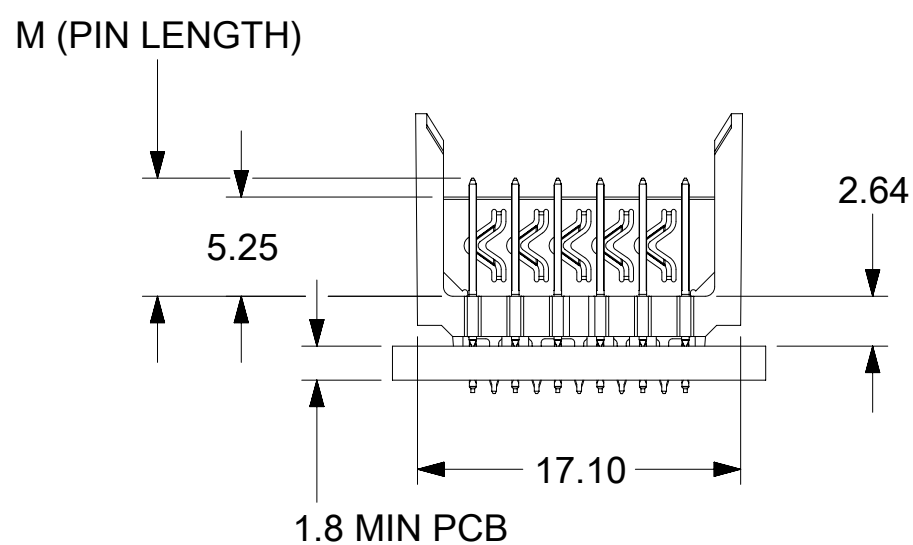
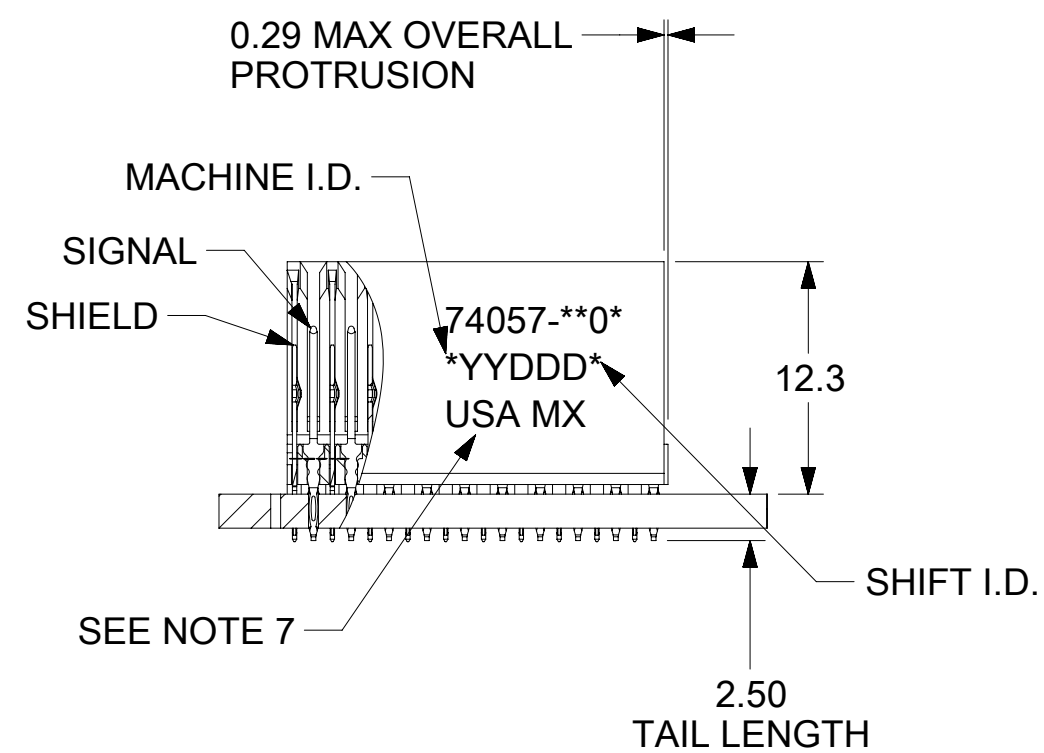
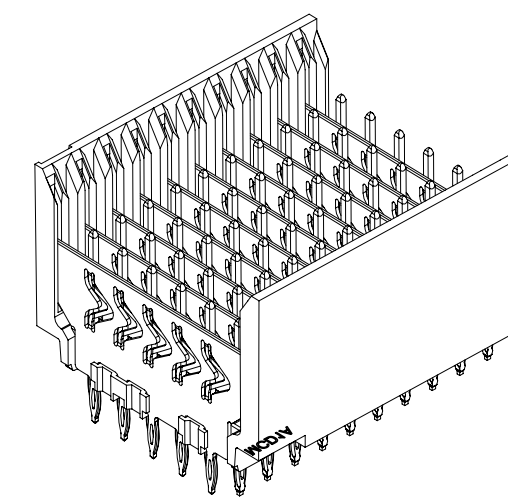


**BLACK PLANE HOLE PATTERN  
RECOMMENDED DIMENSIONS**



**NOTES:**

1. MATERIALS:  
HOUSING - LIQUID CRYSTAL POLYMER (LCP),  
GLASS-FILLED, UL 94V-0, COLOR: BLACK  
SIGNAL PIN & SHIELD - COPPER ALLOY
2. FINISHES:  
CONTACT AREA: SELECTIVE GOLD (Au)  
PCB TAILS: SELECTIVE MATTE TIN (Sn)  
NICKEL (Ni) OVERALL.
3. THIS PART CONFORMS TO MOLEX PRODUCT SPECIFICATION PS-74031-999
4. FOR MIXED CONTACT LENGTHS CONSULT MOLEX FOR AVAILABILITY
5. FOR SPECIFIC MATERIAL NUMBERS & MATING INFORMATION REFER TO SHEET 2
6. PACKAGE PER PK-74057-003
7. EITHER MARK PART WITH PART NUMBER & DATE CODE APPROXIMATELY WHERE SHOWN OR PLACE LABEL ON THE TUBE.
8. MAPS (MOLEX ADVANCED PLATING SYSTEM)

PENDING APPROVAL

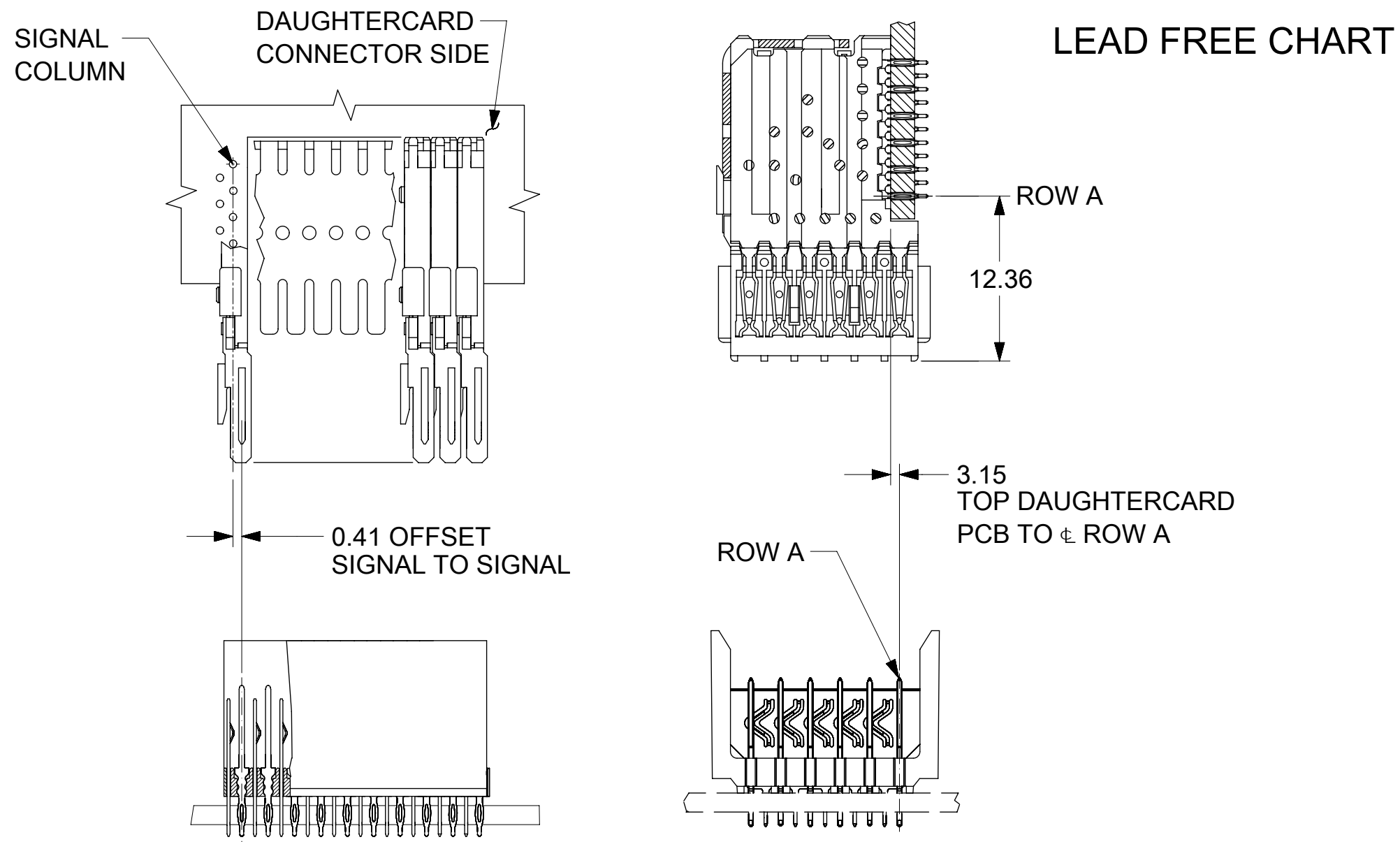
THIS DRAWING CONTAINS INFORMATION THAT IS PROPRIETARY TO MOLEX ELECTRONIC TECHNOLOGIES, LLC AND SHOULD NOT BE USED WITHOUT WRITTEN PERMISSION																																							
DIMENSION UNITS	SCALE	CURRENT REV DESC: SEE REVISION HISTORY ON SHEET 3																																					
mm	2.5:1	<table style="width: 100%; border-collapse: collapse;"> <tr> <td colspan="4" style="text-align: center; font-size: x-large; font-weight: bold;">molex</td> </tr> <tr> <td colspan="4" style="text-align: center; font-size: small;">VHDM 6 ROW OPEN END BACKPLANE SALES ASSEMBLY</td> </tr> <tr> <td colspan="4" style="text-align: center; font-size: small;">PRODUCT CUSTOMER DRAWING</td> </tr> <tr> <td style="font-size: x-small;">DOCUMENT NUMBER</td> <td style="font-size: x-small;">DOC TYPE</td> <td style="font-size: x-small;">DOC PART</td> <td style="font-size: x-small;">REVISION</td> </tr> <tr> <td style="text-align: center; font-size: large;">SD-74057-002</td> <td style="text-align: center;">PSD</td> <td style="text-align: center;">001</td> <td style="text-align: center; font-size: large;">N4</td> </tr> <tr> <td style="font-size: x-small;">MATERIAL NUMBER</td> <td colspan="2" style="font-size: x-small;">CUSTOMER</td> <td style="font-size: x-small;">SHEET NUMBER</td> </tr> <tr> <td style="text-align: center;">SEE TABLE</td> <td colspan="2" style="text-align: center;">GENERAL MARKET</td> <td style="text-align: center;">1 OF 3</td> </tr> </table>										molex				VHDM 6 ROW OPEN END BACKPLANE SALES ASSEMBLY				PRODUCT CUSTOMER DRAWING				DOCUMENT NUMBER	DOC TYPE	DOC PART	REVISION	SD-74057-002	PSD	001	N4	MATERIAL NUMBER	CUSTOMER		SHEET NUMBER	SEE TABLE	GENERAL MARKET		1 OF 3
molex																																							
VHDM 6 ROW OPEN END BACKPLANE SALES ASSEMBLY																																							
PRODUCT CUSTOMER DRAWING																																							
DOCUMENT NUMBER	DOC TYPE											DOC PART	REVISION																										
SD-74057-002	PSD	001	N4																																				
MATERIAL NUMBER	CUSTOMER		SHEET NUMBER																																				
SEE TABLE	GENERAL MARKET		1 OF 3																																				
GENERAL TOLERANCES (UNLESS SPECIFIED)		EC NO: 719836																																					
4 PLACES	±	MM	INCH																																				
3 PLACES	±	MM	INCH																																				
2 PLACES	±	0.25	±																																				
1 PLACE	±	0.38	±																																				
0 PLACES	±	MM	INCH																																				
ANGULAR TOL	±	0.5 °																																					
DRAFT WHERE APPLICABLE MUST REMAIN WITHIN DIMENSIONS		THIRD ANGLE PROJECTION	DRAWING																																				
			C-SIZE																																				
		SERIES	74057																																				

DOCUMENT STATUS	RQ	RELEASE DATE									
12	11	10	9	8	7	6	5	4	3	2	1

PART NUMBER	COLUMN	NUMBER OF SIGNAL PIN	NUMBER OF SHIELD	A	B	M	GOLD THICKNESS MICROMETER	TIN THICKNESS MICROMETER			
74057-6001	10	60	10	20.00	18.00	4.75	0.25 MAPS	0.76-1.52			
74057-9001							0.76				
74057-9006							1.27				
74057-6501	15	90	15	30.00	28.00	0.25 MAPS					
74057-9501						0.76					
74057-9506						1.27					
74057-7001	25	150	25	50.00	48.00	0.25 MAPS					
74057-8506						1.27					
74057-6002						0.25 MAPS					
74057-9002	10	60	10	20.00	18.00	0.76					
74057-9007						1.27					
74057-6502						0.25 MAPS					
74057-9502	15	90	15	30.00	28.00	0.76					
74057-9507						1.27					
74057-7002						0.25 MAPS					
74057-8502	25	150	25	50.00	48.00	0.76					
74057-8507						1.27					
74057-6003						0.25 MAPS					
74057-9003	10	60	10	50.00	48.00	0.76					
74057-9008						1.27					
74057-6503						0.25 MAPS					
74057-9503	15	90	15	30.00	28.00	0.76					
74057-9508						1.27					
74057-7003						0.25 MAPS					
74057-8508	25	150	25	50.00	48.00	1.27					
74057-9009						10	60	10	20.00	18.00	1.27
74057-6504						0.25 MAPS					
74057-9504	15	90	15	30.00	28.00	0.76					
74057-9509						1.27					
74057-8504						0.76					
74057-8509	25	150	25	50.00	48.00	1.27					

PART NUMBER	COLUMN	NUMBER OF SIGNAL PIN	NUMBER OF SHIELD	A	B	M	GOLD THICKNESS MICROMETER	TIN THICKNESS MICROMETER
74057-1006	10	60	10	20.00	18.00	4.75	1.27	0.76-1.52
74057-1501	15	90	15	30.00	28.00		0.76	
74057-1506							1.27	
74057-2506	25	150	25	50.00	48.00	1.27		
74057-1002	10	60	10	20.00	18.00	6.25	0.76	
74057-1502	15	90	15	30.00	28.00		0.76	
74057-1507						1.27		
74057-1008	10	60	10	20.00	18.00	4.25	1.27	
74057-1503	15	90	15	30.00	28.00		0.76	
74057-1508							1.27	
74057-2508	25	150	25	50.00	48.00	1.27		
74057-1004	10	60	10	20.00	18.00	5.15	0.76	
74057-1009	15	90	15	30.00	28.00		1.27	
74057-1504							0.76	
74057-1509	15	90	15	30.00	28.00	1.27		

LEAD FREE  
(FORMERLY TIN/LEAD) CHART



74057 - \* \* 0 \*

- NUMBER OF COLUMNS/PLATING
- 10 = 10 COLUMN MATTE TIN (FORMERLY TIN/LEAD)
  - 15 = 15 COLUMN MATTE TIN (FORMERLY TIN/LEAD)
  - 25 = 25 COLUMN MATTE TIN (FORMERLY TIN/LEAD)
  - 60 = 10 COLUMN MATTE TIN (MAPS)
  - 65 = 15 COLUMN MATTE TIN (MAPS)
  - 70 = 25 COLUMN MATTE TIN (MAPS)
  - 90 = 10 COLUMN MATTE TIN
  - 95 = 15 COLUMN MATTE TIN
  - 85 = 25 COLUMN MATTE TIN
- PIN HEIGHT
- 1 & 6 = 4.75
  - 2 & 7 = 6.25
  - 3 & 8 = 4.25
  - 4 & 9 = 5.15

PENDING APPROVAL

FUNCTIONAL SYMBOLS	THIS DRAWING CONTAINS INFORMATION THAT IS PROPRIETARY TO MOLEX ELECTRONIC TECHNOLOGIES, LLC AND SHOULD NOT BE USED WITHOUT WRITTEN PERMISSION			
	DIMENSION UNITS	SCALE		CURRENT REV DESC: SEE REVISION HISTORY ON SHEET 3
$F_A = 0$	mm	2.5:1		EC NO: 719836 DRWN: KRISHH1 CHK'D: APPR:
$F_C = 0$	GENERAL TOLERANCES (UNLESS SPECIFIED)			
$F_P = 0$	4 PLACES		MM	INCH
	3 PLACES		±	±
DIVISIONAL SYMBOLS	2 PLACES		± 0.25	±
	1 PLACE		± 0.38	±
0 PLACES		±	±	INITIAL REVISION: DRWN: MWANG APPR: SMILLER
ANGULAR TOL		± 0.5°		1998/11/09 2012/05/23
DRAFT WHERE APPLICABLE MUST REMAIN WITHIN DIMENSIONS		THIRD ANGLE PROJECTION	DRAWING	SERIES
			C-SIZE	74057
DOCUMENT STATUS		RQ	RELEASE DATE	
12		11	10	9
8		7	6	5
4		3	2	1

**molex**

VHDM 6 ROW  
OPEN END BACKPLANE SALES ASSEMBLY

PRODUCT CUSTOMER DRAWING

DOCUMENT NUMBER: SD-74057-002  
DOC TYPE: PSD  
DOC PART: 001  
REVISION: N4

MATERIAL NUMBER: SEE TABLE  
CUSTOMER: GENERAL MARKET  
SHEET NUMBER: 2 OF 3

H  
G  
F  
E  
D  
C  
B  
A

DATE	REV	DESCRIPTION
2022/06/22	N3	DRAWING MIGRATED TO NEW SHEET FORMAT REMOVED OBSOLETE PART NUMBER AS PER PCN#509989
2022/07/14	N4	DRAWING MIGRATION AS MODEL IN THE DRAWING VIEW IS UPDATED

PENDING APPROVAL

<b>FUNCTIONAL SYMBOLS</b> = 0 = 0 = 0 <b>DIVISIONAL SYMBOLS</b>	THIS DRAWING CONTAINS INFORMATION THAT IS PROPRIETARY TO MOLEX ELECTRONIC TECHNOLOGIES, LLC AND SHOULD NOT BE USED WITHOUT WRITTEN PERMISSION			<b>molex</b> VHDM 6 ROW OPEN END BACKPLANE SALES ASSEMBLY PRODUCT CUSTOMER DRAWING					
	DIMENSION UNITS: <b>mm</b> SCALE: <b>1:1</b>	CURRENT REV DESC: SEE REVISION HISTORY ON SHEET 3					EC NO: 719836 DRWN: KRISHH1 CHK'D: APPR:		
	GENERAL TOLERANCES (UNLESS SPECIFIED)			2022/07/14					
	4 PLACES ± 3 PLACES ± 2 PLACES ± 0.25 1 PLACE ± 0.38 0 PLACES ± ANGULAR TOL ± 0.5 °	MM INCH	± ± ± ± ±	INITIAL REVISION: DRWN: DRAWN BY APPR: APPR BY			DOCUMENT NUMBER <b>SD-74057-002</b>	DOC TYPE <b>PSD</b>	DOC PART <b>001</b>
DRAFT WHERE APPLICABLE MUST REMAIN WITHIN DIMENSIONS		THIRD ANGLE PROJECTION		DRAWING	SERIES	MATERIAL NUMBER	CUSTOMER	SHEET NUMBER	
				<b>C-SIZE</b>	<b>74057</b>	SEE TABLE	GENERAL MARKET	3 OF 3	

DOCUMENT STATUS	RQ	RELEASE DATE
12	11	10