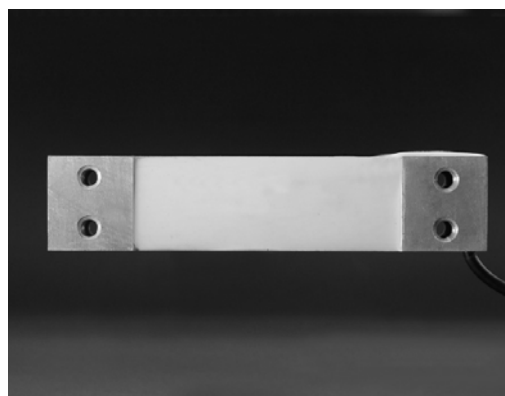
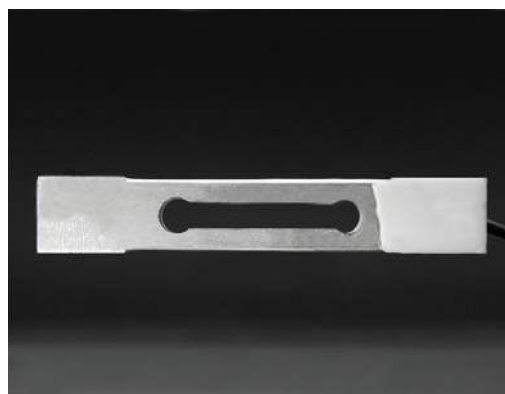




Weight Sensor (Load Cell) 0-50kg

SKU 114990100



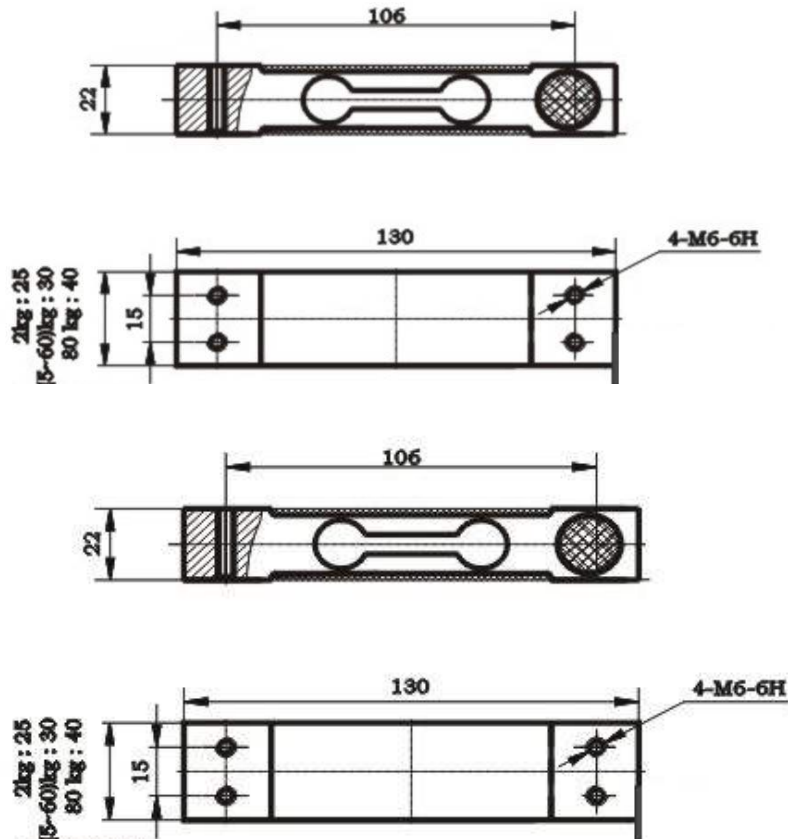
Description

Introduction :

Applicable to electronic scale, price computing scale, electronic platform scale, digital scale; parcel post scale, electronic balance and all varieties of commercial scales by single load cell.

Specification :

- Capacity: 50KG
- Rated output(MV/V): 2.0 ± 0.15
- Accuracy class: C2
- Maximum number of load cell verification intervals(N max): 2000
- Minimum number of load cell verification intervals(Vmin): $E_{Max}/5000$
- Combined error(%RO): $< \pm 0.030$
- Creep(%RO/30min): 0.03
- Temperature effect on sensitivity(%RO/°C): 0.0016
- Temperature effect on zero(%RO/°C): 0.003
- Zero balance(%RO): 1.0
- Input resistance(Ω): 402 ± 6
- Output resistance(Ω): 350 ± 3
- Insulation resistance($M\Omega < 50V >$): 5000
- Recommended excitation voltage(V): 10~15
- Compensated temperature range(°C): -10~+40
- Operating temperature range(°C): -35~+80
- Safe overload(%RO): 150
- Ultimate overload(%RO): 200
- Load cell material: Aluminium
- Platform size: 350x350mm
- Connecting cable: $\phi 4.2 \times 350$ mm
- Method of connecting wire: Red(+),Black(-),Green(+),White(-)



技术指标

| 应用 | Application | 计价秤 Price computing scales | |
|---------|--|---|------------------|
| 型号 | Model | YZC-1B | |
| 量程 | Capacity Kg | 2, 3, 5, 6, 8, 10, 30, 35, 40, 50, 60, 80 | |
| 输出灵敏度 | Rated output MV/V | 2.0±0.15 | |
| 精度等级 | Accuracy class | C2 | C3 |
| 最大检定分度数 | Maximum number of verification intervals | N_{max} | 2000 |
| 最小检定分度值 | Minimum load cell verification intervals | V_{min} | $E_{Max}/5000$ |
| 综合误差 | Combined error | %RO | $\leq \pm 0.020$ |
| 蠕变 | Creep | %RO/30min | 0.03 |
| 温度灵敏度漂移 | Temperature effect on sensitivity | %RO/°C | 0.0016 |
| 温度零点漂移 | Temperature effect on zero | %RO/°C | 0.003 |
| 零点平衡 | Zero balance | %RO | ±1.0 |
| 输入阻抗 | Input resistance | Ω | 402±6 |
| 输出阻抗 | Output resistance | Ω | 350±3 |
| 绝缘电阻 | Insulation resistance | M Ω (50V) | 5000 |
| 推荐激励电压 | Recommended excitation voltage | V | 10~15 |
| 温度补偿范围 | Compensated temperature range | °C | -10~+40 |
| 工作温度范围 | Operating temperature range | °C | -35~+80 |
| 安全超载能力 | Safe overload | %RO | 150 |
| 极限超载范围 | Ultimate overload | %RO | 200 |
| 传感器材料 | Load cell material | 铝合金 Aluminium | |
| 推荐台面尺寸 | Platform size | 350X350 | |
| 接线电缆 | Connecting cable | Ø 4.2X350mm | |
| 接线方式 | Method of connecting wire | 红输入 (+) 黑输入 (-) 绿输出 (+) 白输出 (-) | |