

QPI-x-EVAL1

QPI™ Series Active EMI Filters Evaluation Board



The QPI-x-EVAL1 (x refers to the specific QPI model) is an easy-to-use evaluation board for testing the QPI family of active EMI filters. The board can be used in different EMI configurations (see Figures 1 and 2), with many of the standard DC-DC converters available. Consult the converter manufacturer’s recommendation for proper EMI re-circulation. The evaluation board includes a mounted QPI filter, input and output capacitors, and terminals blocks for easy electrical connection.

When using the QPI-x-EVAL1 evaluation board, close attention must be paid to wiring and grounding. Wires should be kept as short as possible and positioned to minimize radiated noise pick up around the QPI filter. Refer to the Vicor QPI-AN1 application note for proper EMI measurement set up.

Filter performance in the application is highly dependent on several factors and cannot be extrapolated from insertion loss curves alone. Final noise performance is a complex function of filter elements, equipment grounding and noise source impedances, which vary in magnitude and phase over the frequency spectrum of interest.

Designers should be aware that to select and quantify an EMI filter for conducted noise, they must test the filter in their product under the set up and conditions specified in the applicable EMI standards. Measurements should be made in consultation with in-house compliance testing or an independent EMI test facility.

Check www.vicorpower.com for data sheets, application notes and additional product information.

Figure 1
Typical for “open-frame”
EMI topology

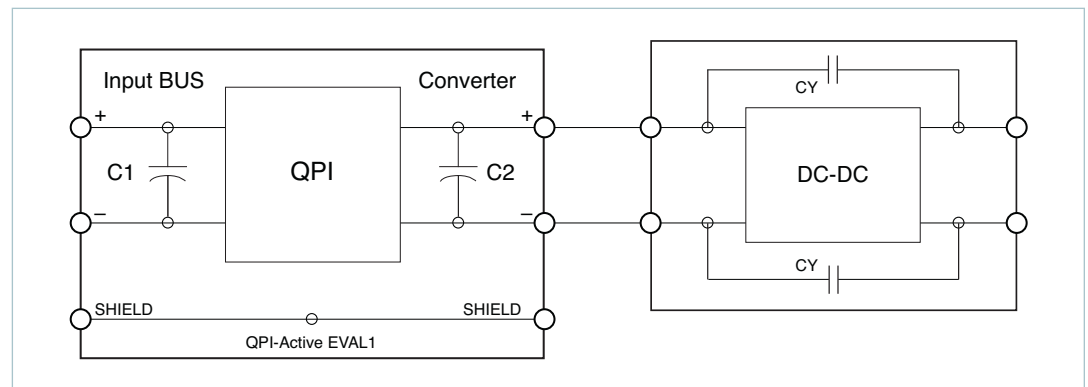


Figure 2
Typical for “baseplate”
EMI topology

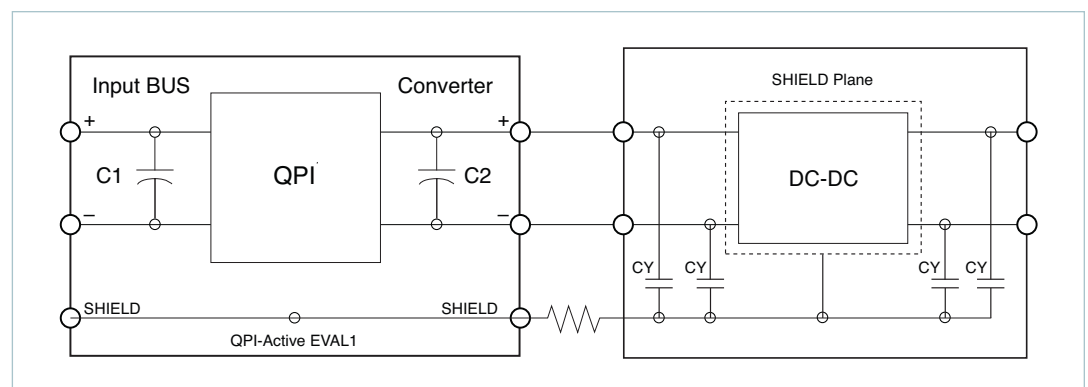


Figure 3
QPI-x-EVAL1 schematic

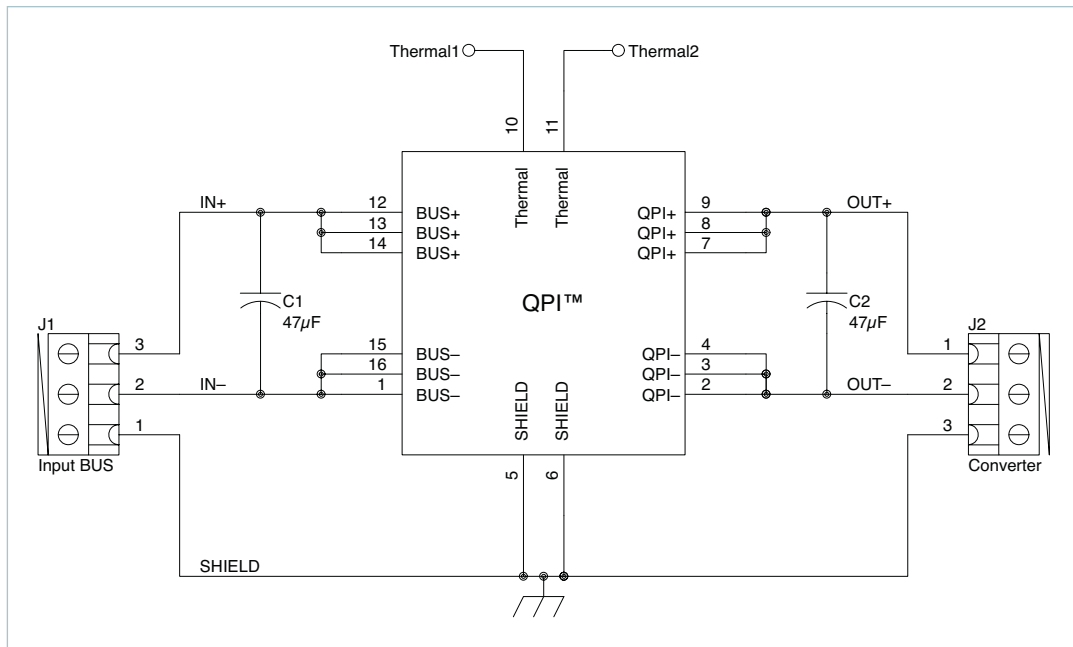
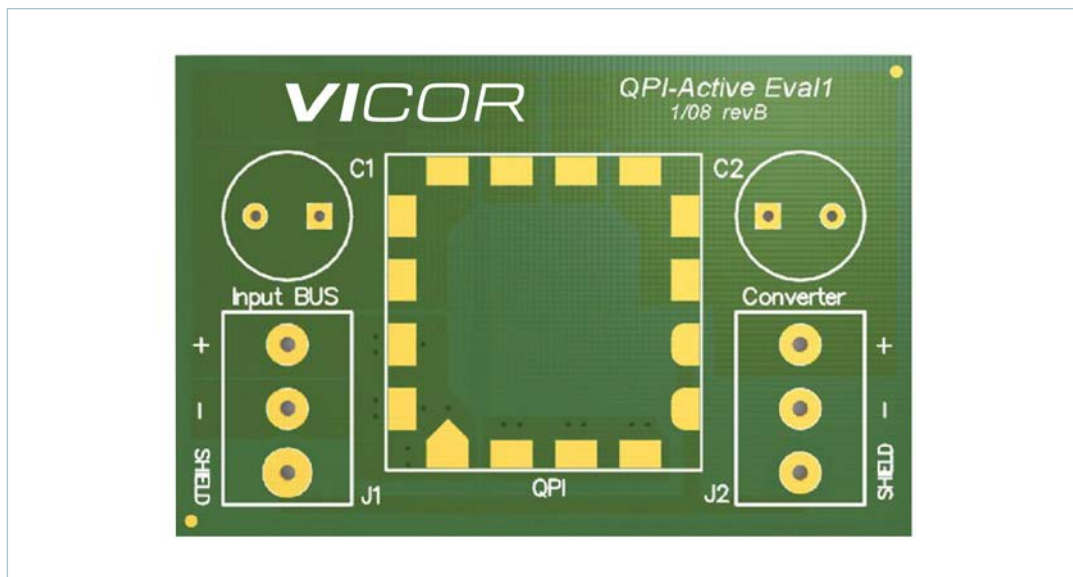


Figure 4
QPI-x-EVAL1 board showing
location of components
and connectors



Ordering Information

Part Number	Description
QPI-3-EVAL1	Evaluation board for QPI-3LZ
QPI-4-EVAL1	Evaluation board for QPI-4LZ
QPI-5-EVAL1	Evaluation board for QPI-5LZ
QPI-6-EVAL1	Evaluation board for QPI-6LZ

Limitation of Warranties

Information in this document is believed to be accurate and reliable. HOWEVER, THIS INFORMATION IS PROVIDED "AS IS" AND WITHOUT ANY WARRANTIES, EXPRESSED OR IMPLIED, AS TO THE ACCURACY OR COMPLETENESS OF SUCH INFORMATION. VICOR SHALL HAVE NO LIABILITY FOR THE CONSEQUENCES OF USE OF SUCH INFORMATION. IN NO EVENT SHALL VICOR BE LIABLE FOR ANY INDIRECT, INCIDENTAL, PUNITIVE, SPECIAL OR CONSEQUENTIAL DAMAGES (INCLUDING, WITHOUT LIMITATION, LOST PROFITS OR SAVINGS, BUSINESS INTERRUPTION, COSTS RELATED TO THE REMOVAL OR REPLACEMENT OF ANY PRODUCTS OR REWORK CHARGES).

Vicor reserves the right to make changes to information published in this document, at any time and without notice. You should verify that this document and information is current. This document supersedes and replaces all prior versions of this publication.

All guidance and content herein are for illustrative purposes only. Vicor makes no representation or warranty that the products and/or services described herein will be suitable for the specified use without further testing or modification. You are responsible for the design and operation of your applications and products using Vicor products, and Vicor accepts no liability for any assistance with applications or customer product design. It is your sole responsibility to determine whether the Vicor product is suitable and fit for your applications and products, and to implement adequate design, testing and operating safeguards for your planned application(s) and use(s).

VICOR PRODUCTS ARE NOT DESIGNED, AUTHORIZED OR WARRANTED FOR USE IN LIFE SUPPORT, LIFE-CRITICAL OR SAFETY-CRITICAL SYSTEMS OR EQUIPMENT. VICOR PRODUCTS ARE NOT CERTIFIED TO MEET ISO 13485 FOR USE IN MEDICAL EQUIPMENT NOR ISO/TS16949 FOR USE IN AUTOMOTIVE APPLICATIONS OR OTHER SIMILAR MEDICAL AND AUTOMOTIVE STANDARDS. VICOR DISCLAIMS ANY AND ALL LIABILITY FOR INCLUSION AND/OR USE OF VICOR PRODUCTS IN SUCH EQUIPMENT OR APPLICATIONS AND THEREFORE SUCH INCLUSION AND/OR USE IS AT YOUR OWN RISK.

Terms of Sale

The purchase and sale of Vicor products is subject to the Vicor Corporation Terms and Conditions of Sale which are available at: (<http://www.vicorpower.com/termsconditionswarranty>)

Export Control

This document as well as the item(s) described herein may be subject to export control regulations. Export may require a prior authorization from U.S. export authorities.

Contact Us: <http://www.vicorpower.com/contact-us>

Vicor Corporation
25 Frontage Road
Andover, MA, USA 01810
Tel: 800-735-6200
Fax: 978-475-6715
www.vicorpower.com

email

Customer Service: custserv@vicorpower.com
Technical Support: apps@vicorpower.com