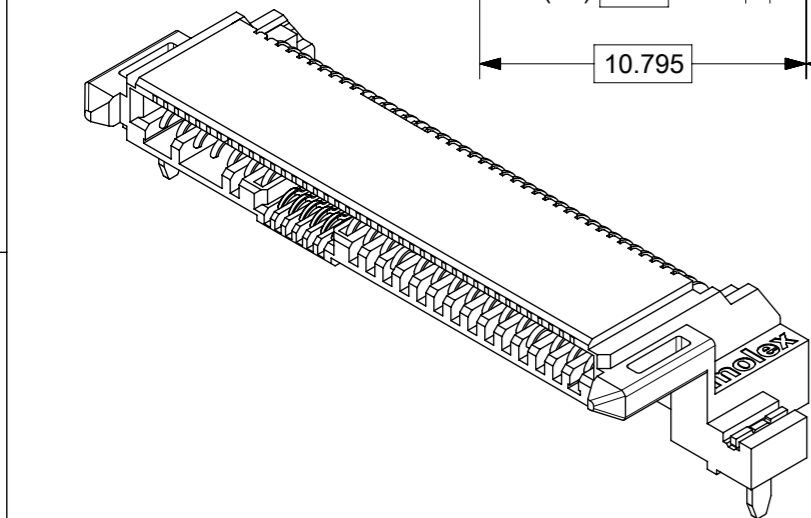
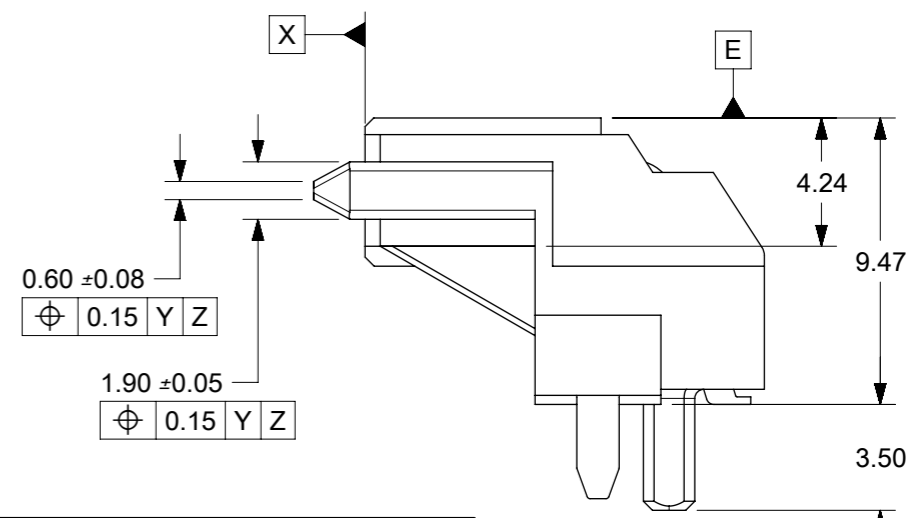


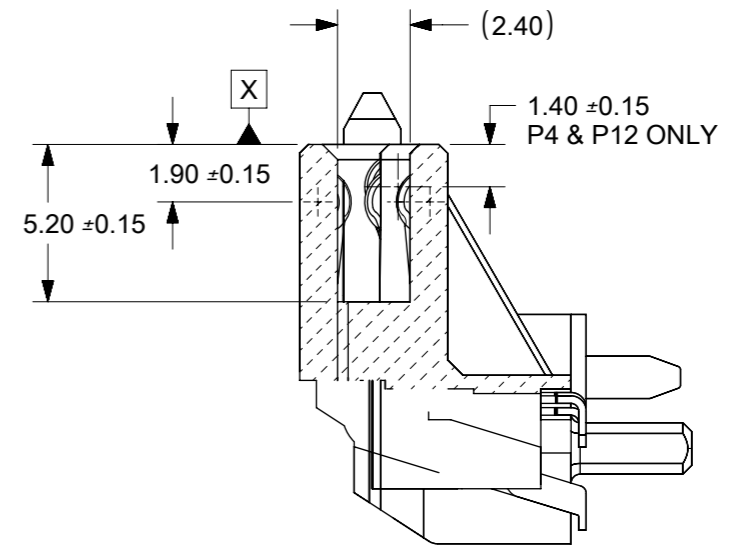
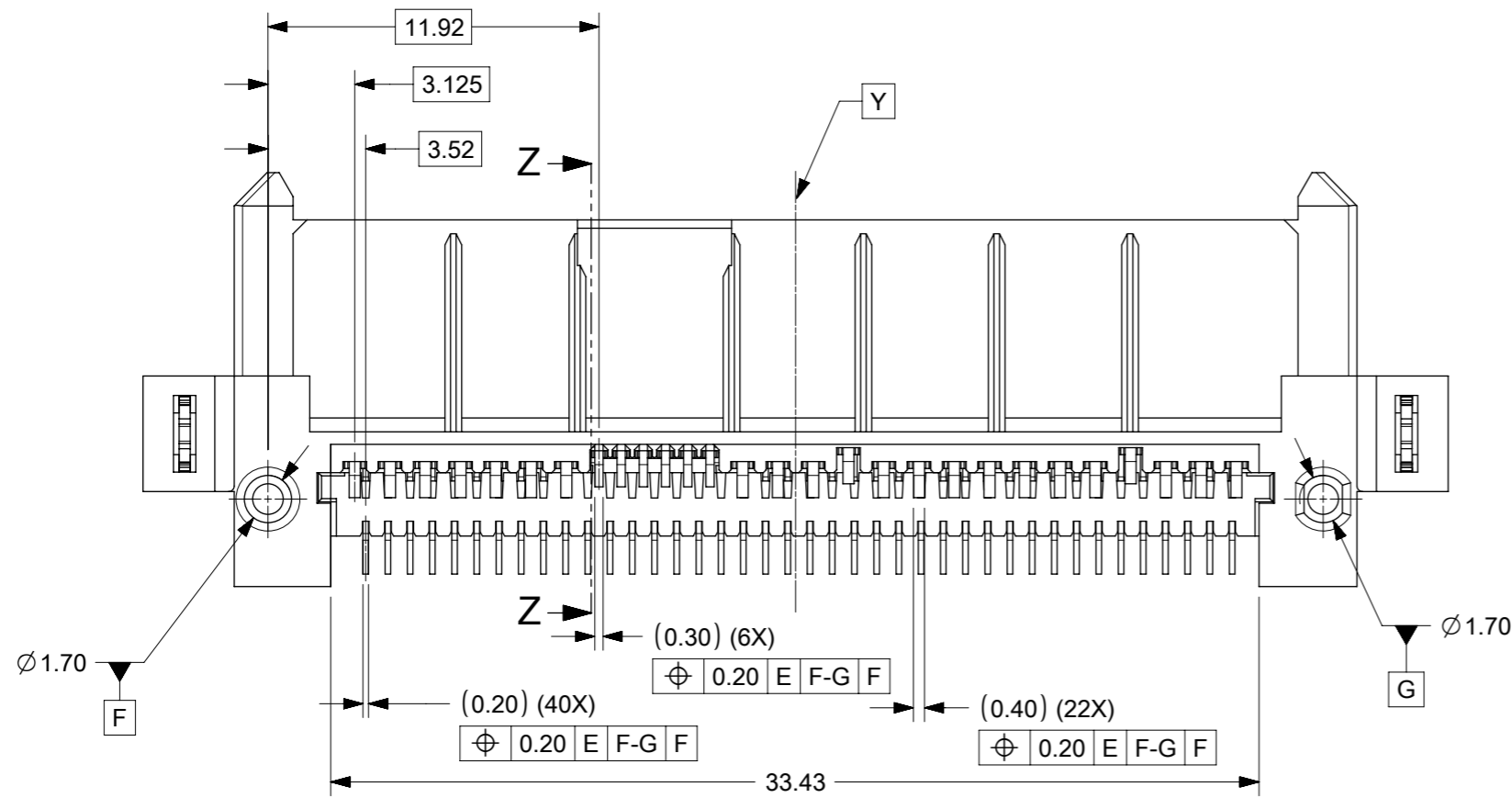
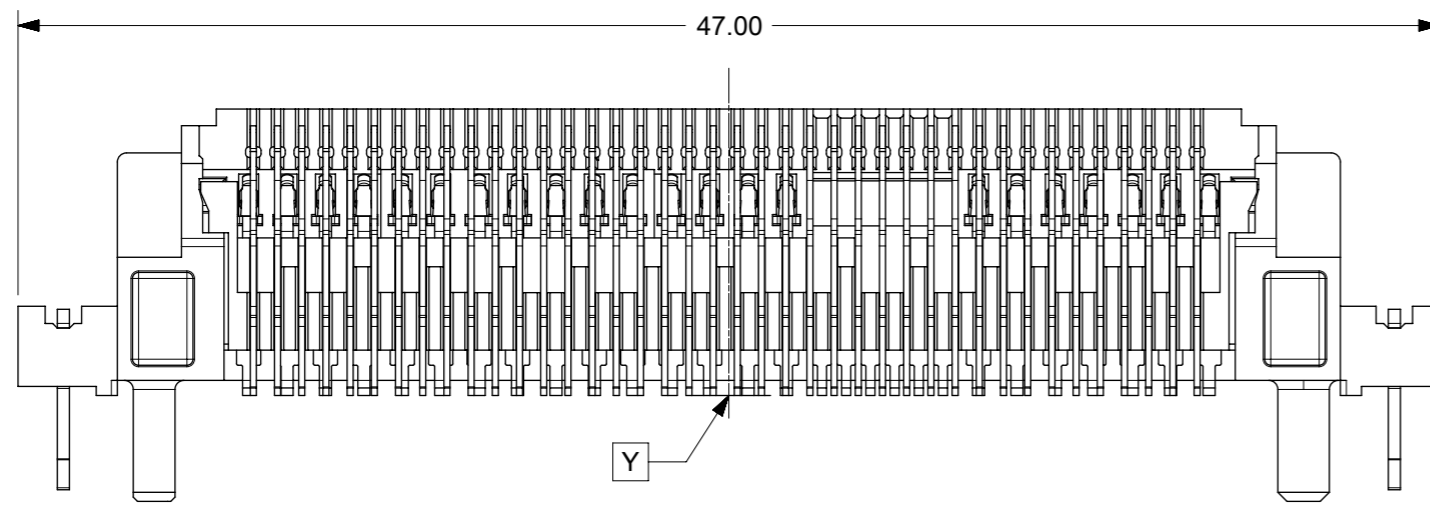
- NOTES:
- MATERIAL:
HOUSING: LCP, GLASS FILLED, UL 94V-0, COLOR: BLACK
TERMINAL: COPPER ALLOY
PCB HOLD-DOWN: COPPER ALLOY
 - PLATING:
TERMINAL:
CONTACT: 0.76 MICROMETER MIN. GOLD OVER 1.27 MICROMETER MIN. NICKEL UNDERPLATE
SOLDERTAIL: 2.54 MICROMETER MIN. TIN OVER 1.27 MICROMETER MIN. NICKEL UNDERPLATE
PCB HOLD-DOWN: 2.54 MICROMETER MIN. TIN OVER 1.27 MICROMETER MIN. NICKEL UNDERPLATE
 - PRODUCT SPECIFICATION PS-78827-001.
 - PACKAGING SPECIFICATION PK-78827-001.
 - THIS PRODUCT IS COMPLIANT WITH RoHS DIRECTIVE WITH THE FOLLOWING BANNED SUBSTANCES - LEAD, MERCURY, CADMIUM, HEXAVALENT CHROMIUM, POLYBROMINATED BIPHENYLS AND POLY BROMINATED DIPHENYL ETHERS.
 - MOLEX LOGO, DATE CODE AND CAVITY ID TO BE LOCATED APPROXIMATELY AS SHOWN.
 - NON-FUNCTIONAL CORING MAY VARY
 - CONNECTOR COMES WITH A CAP TO BE REMOVED AFTER SOLDERING.
SEE SHEET 4 FOR THE OVERALL OUTLINE OF THE CONNECTOR WITH ITS CAP



THIS DESIGN IS BASED ON DESIGN OBJECTIVES AND IS STRICTLY TENTATIVE. IT MAY CHANGE BASED ON RESULTS OF ADDITIONAL DESIGN REVIEWS AND VERIFICATIONS.



THIS DRAWING CONTAINS INFORMATION THAT IS PROPRIETARY TO MOLEX ELECTRONIC TECHNOLOGIES, LLC AND SHOULD NOT BE USED WITHOUT WRITTEN PERMISSION		CURRENT REV DESC: MIGRATED		molex	
DIMENSION UNITS	SCALE				
mm	NTS			SAS/PCIE RECEPTACLE R/A, SMT, 7.07MM HEIGHT	
GENERAL TOLERANCES (UNLESS SPECIFIED)				PRODUCT CUSTOMER DRAWING	
ANGULAR TOL	± 3.0°	EC NO:	636399	DOCUMENT NUMBER	
4 PLACES	±	DRWN:	ME 2019/05/23	SD-78827-001	
3 PLACES	±	CHK'D:	JAKEEMEW 2020/04/23	DOC TYPE	DOC PART
2 PLACES	± 0.2	APPR:	SHLENI 2020/05/03	PSD	001
1 PLACE	±	INITIAL REVISION:		REVISION	A
0 PLACES	±	DRWN:	JAKEEMEW 2013/11/14		
DRAFT WHERE APPLICABLE MUST REMAIN WITHIN DIMENSIONS		APPR:	JAKEEMEW 2014/12/01		
THIRD ANGLE PROJECTION		DRAWING	SERIES	MATERIAL NUMBER	CUSTOMER
		A3-SIZE	78827	SEE TABLE	GENERAL MARKET
				SHEET NUMBER	
				1 OF 7	

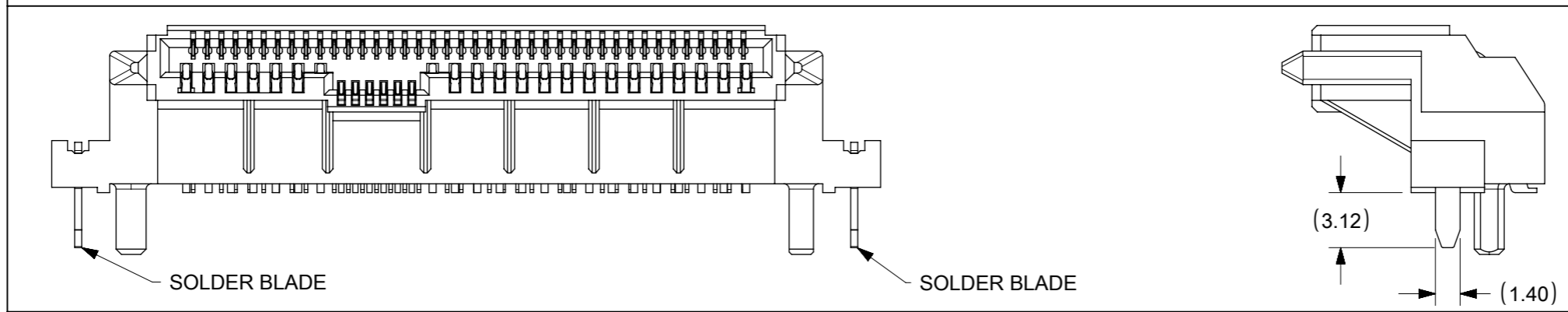


SECTION Z-Z

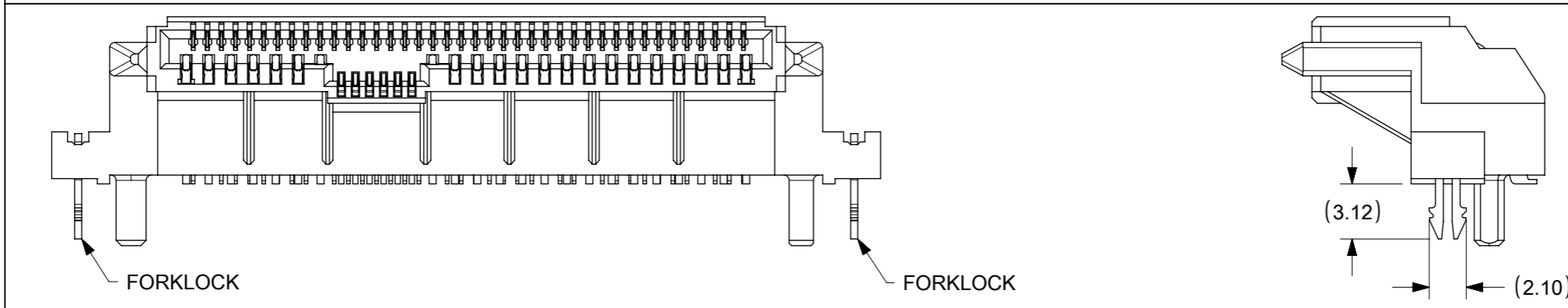
THIS DRAWING CONTAINS INFORMATION THAT IS PROPRIETARY TO MOLEX ELECTRONIC TECHNOLOGIES, LLC AND SHOULD NOT BE USED WITHOUT WRITTEN PERMISSION									
DIMENSION UNITS		SCALE		CURRENT REV DESC: MIGRATED				molex	
mm		NTS							
GENERAL TOLERANCES (UNLESS SPECIFIED)				SAS/PCIE RECEPTACLE R/A, SMT, 7.07MM HEIGHT					
ANGULAR TOL ± 3.0°				PRODUCT CUSTOMER DRAWING					
4 PLACES ±				EC NO: 636399		2019/05/23		DOCUMENT NUMBER	
3 PLACES ±				DRWN: ME		2020/04/23		SD-78827-001	
2 PLACES ± 0.2				CHK'D: JAKEEMEW		2020/05/03		DOC TYPE DOC PART REVISION	
1 PLACE ±				APPR: SHLENI		2020/05/03		PSD 001 A	
0 PLACES ±				INITIAL REVISION:					
DRAFT WHERE APPLICABLE MUST REMAIN WITHIN DIMENSIONS				DRWN: JAKEEMEW		2013/11/14			
THIRD ANGLE PROJECTION				APPR: JAKEEMEW		2014/12/01			
DRAWING		SERIES		MATERIAL NUMBER		CUSTOMER		SHEET NUMBER	
A3-SIZE		78827		SEE TABLE		GENERAL MARKET		2 OF 7	

PCB HOLD-DOWN CONFIGURATION

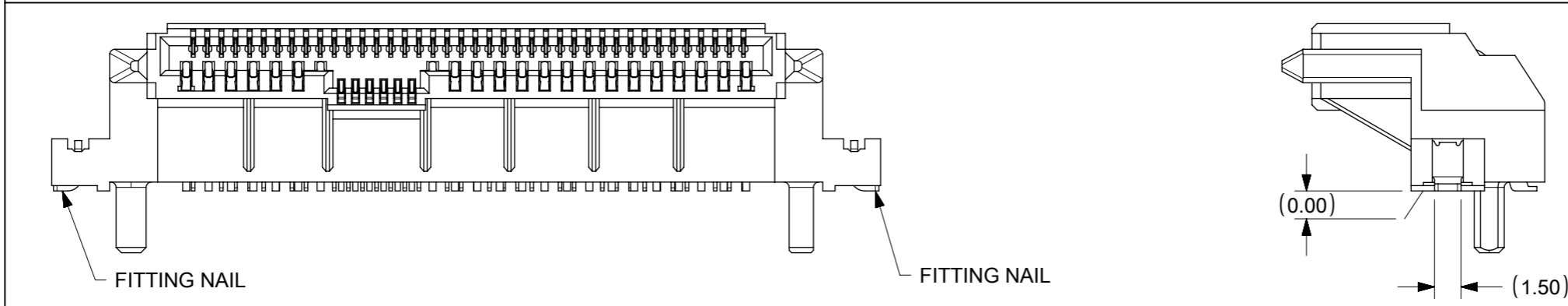
FRONT AND SIDE VIEW OF TYPE A (SOLDER BLADE)



FRONT AND SIDE VIEW OF TYPE B (FORKLOCK)

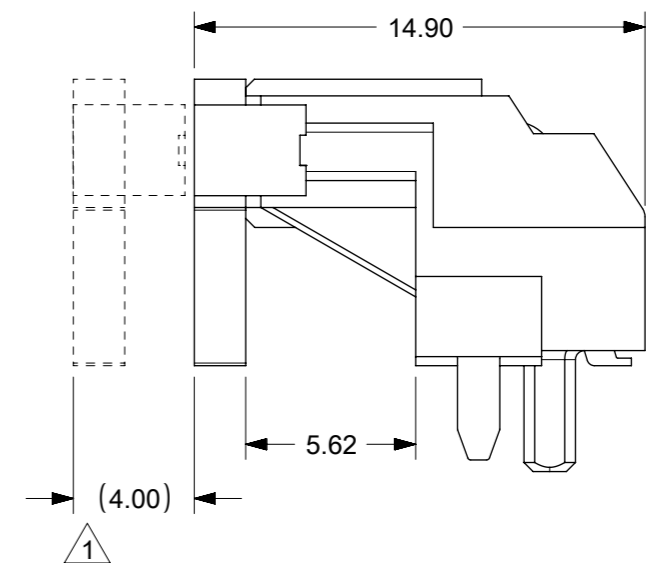
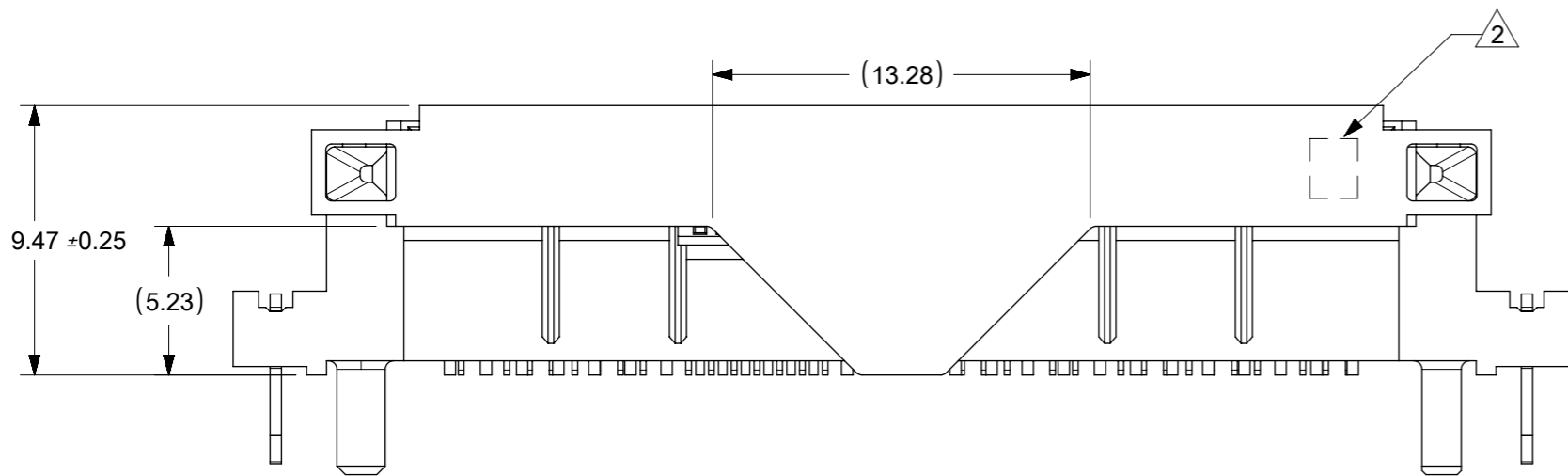
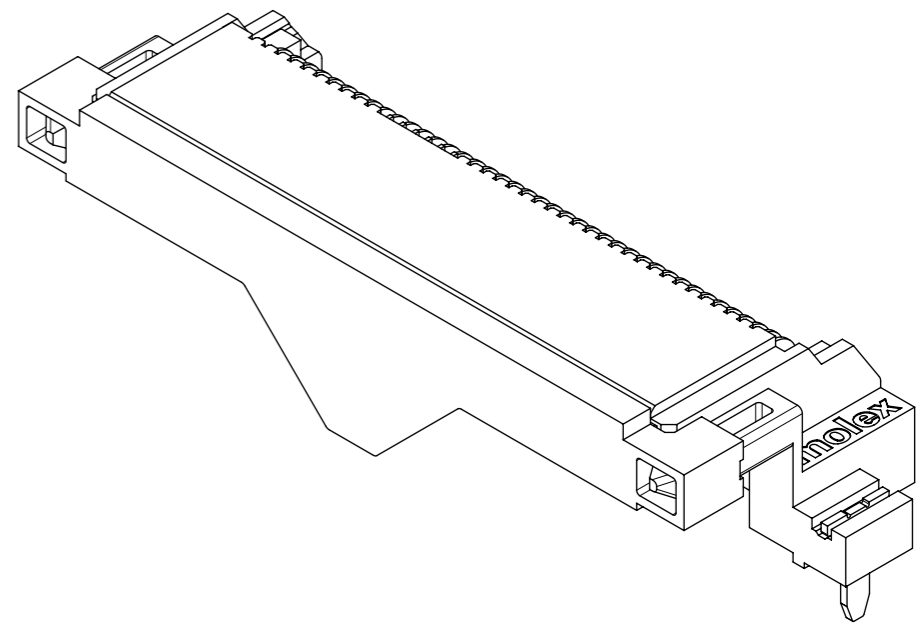
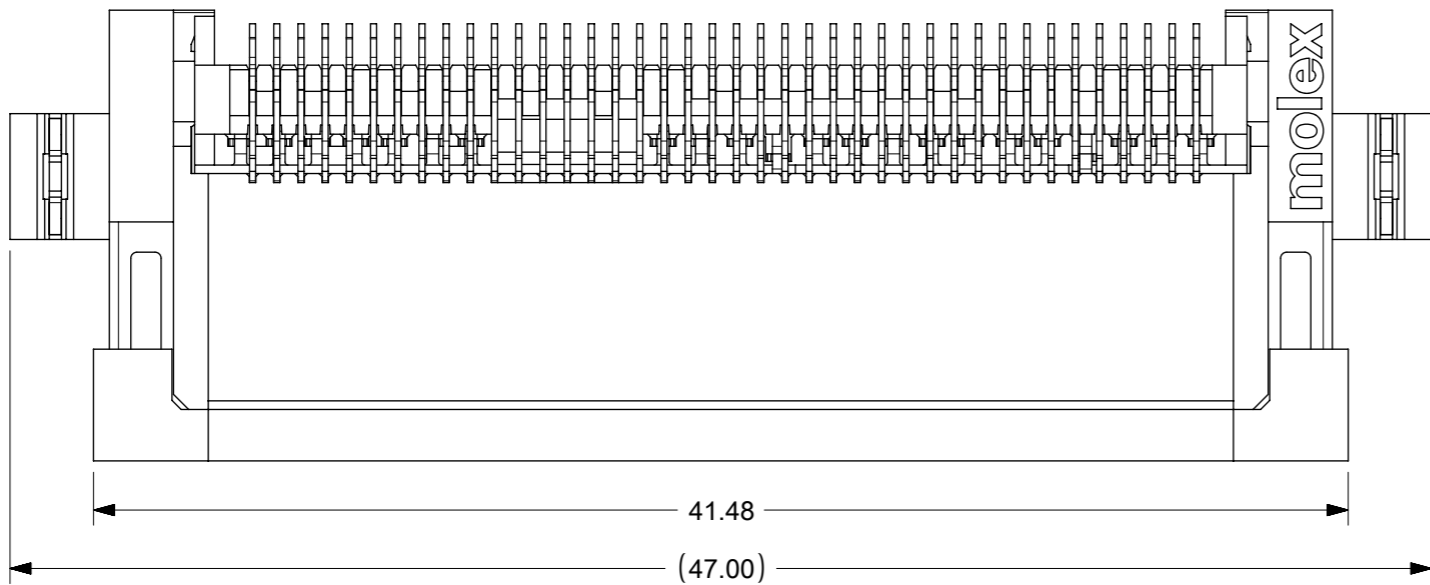


FRONT AND SIDE VIEW OF TYPE C (FITTING NAIL)



THIS DRAWING CONTAINS INFORMATION THAT IS PROPRIETARY TO MOLEX ELECTRONIC TECHNOLOGIES, LLC AND SHOULD NOT BE USED WITHOUT WRITTEN PERMISSION									
DIMENSION UNITS		SCALE		CURRENT REV DESC: MIGRATED				molex	
mm		NTS							
GENERAL TOLERANCES (UNLESS SPECIFIED)									
ANGULAR TOL ± 3.0°									
4 PLACES ±									
3 PLACES ±									
2 PLACES ± 0.2									
1 PLACE ±									
0 PLACES ±									
DRAFT WHERE APPLICABLE MUST REMAIN WITHIN DIMENSIONS				THIRD ANGLE PROJECTION		DRAWING		SERIES	
						A3-SIZE		78827	
DOCUMENT NUMBER				CUSTOMER		DOC TYPE		DOC PART	
SD-78827-001				GENERAL MARKET		PSD		001	
REVISION				SHEET NUMBER		EC NO: 636399		2013/11/14	
A				3 OF 7		DRWN: ME 2019/05/23		2014/12/01	
APPR: SHLENI 2020/05/03				APPR: JAKEEMEW 2020/04/23		APPR: SHLENI 2020/05/03		APPR: JAKEEMEW 2020/05/03	

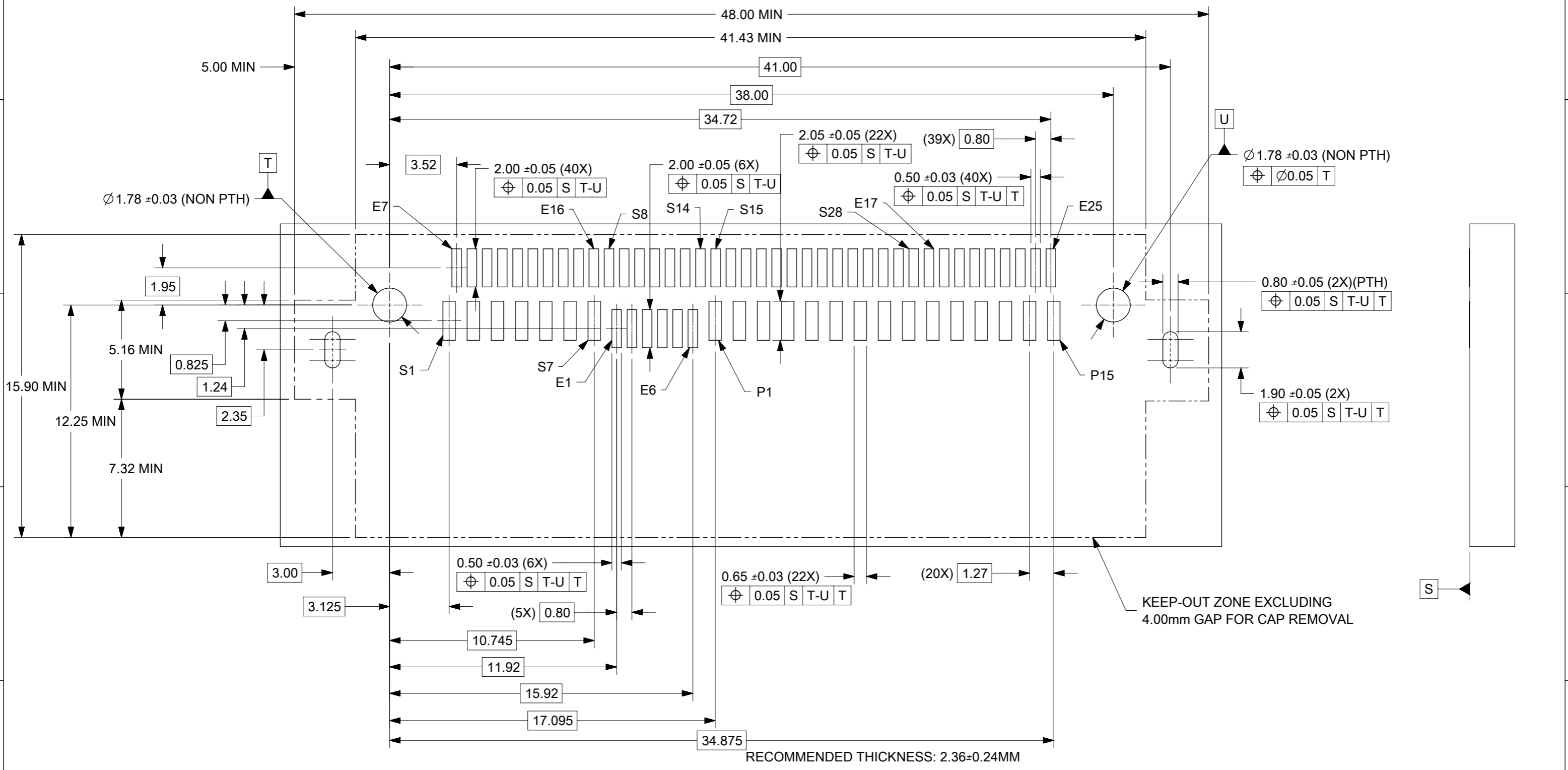
CONNECTOR OUTLINE WITH CAP



- NOTES:
 1. ALLOW A GAP OF 4.00MM IN FRONT OF THE CONNECTOR FOR CAP REMOVAL
 2. CAP CAVITY NUMBER (NUMERIC VALUE)

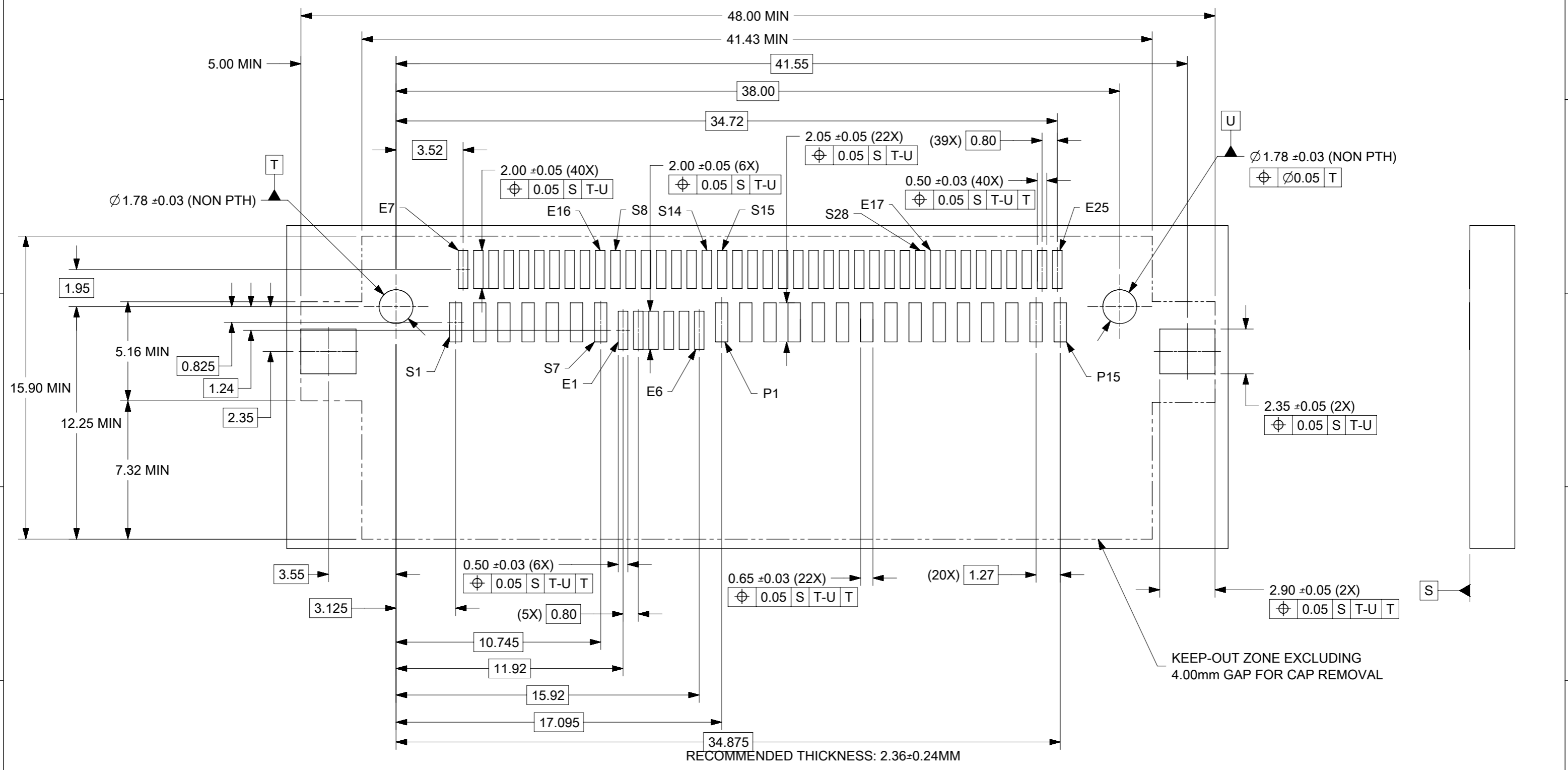
THIS DRAWING CONTAINS INFORMATION THAT IS PROPRIETARY TO MOLEX ELECTRONIC TECHNOLOGIES, LLC AND SHOULD NOT BE USED WITHOUT WRITTEN PERMISSION									
DIMENSION UNITS		SCALE		CURRENT REV DESC: MIGRATED				molex	
mm		NTS							
GENERAL TOLERANCES (UNLESS SPECIFIED)				SAS/PCIE RECEPTACLE R/A, SMT, 7.07MM HEIGHT					
ANGULAR TOL ± 3.0°				PRODUCT CUSTOMER DRAWING					
4 PLACES ±				EC NO: 636399		2019/05/23		DOCUMENT NUMBER	
3 PLACES ±				DRWN: ME		2020/04/23		SD-78827-001	
2 PLACES ± 0.2				CHK'D: JAKEEMEW		2020/05/03		DOC TYPE	
1 PLACE ±				APPR: SHLENI		2020/05/03		DOC PART	
0 PLACES ±				INITIAL REVISION:				REVISION	
DRAFT WHERE APPLICABLE MUST REMAIN WITHIN DIMENSIONS				DRWN: JAKEEMEW		2013/11/14		A	
				APPR: JAKEEMEW		2014/12/01			
THIRD ANGLE PROJECTION			DRAWING		SERIES		MATERIAL NUMBER		CUSTOMER
			A3-SIZE		78827		SEE TABLE		GENERAL MARKET
								SHEET NUMBER	
								4 OF 7	

RECOMMENDED PCB LAYOUT - TYPE 1 (FOR PCB HOLD-DOWN TYPE A & B)



THIS DRAWING CONTAINS INFORMATION THAT IS PROPRIETARY TO MOLEX ELECTRONIC TECHNOLOGIES, LLC AND SHOULD NOT BE USED WITHOUT WRITTEN PERMISSION		CURRENT REV DESC: MIGRATED			
DIMENSION UNITS	SCALE				
mm	NTS			SAS/PCIE RECEPTACLE R/A, SMT, 7.07MM HEIGHT	
GENERAL TOLERANCES (UNLESS SPECIFIED)		EC NO: 636399		PRODUCT CUSTOMER DRAWING	
ANGULAR TOL	± 3.0°	DRWN: ME	2019/05/23	DOCUMENT NUMBER	
4 PLACES	±	CHK'D: JAKEEMEW	2020/04/23	SD-78827-001	
3 PLACES	±	APPR: SHLENI	2020/05/03	DOC TYPE	DOC PART
2 PLACES	± 0.2	INITIAL REVISION:		PSD	001
1 PLACE	±	DRWN: JAKEEMEW	2013/11/14	REVISION	
0 PLACES	±	APPR: JAKEEMEW	2014/12/01	A	
DRAFT WHERE APPLICABLE MUST REMAIN WITHIN DIMENSIONS		THIRD ANGLE PROJECTION	DRAWING	SERIES	MATERIAL NUMBER
			A3-SIZE	78827	CUSTOMER
				SEE TABLE	GENERAL MARKET
				SHEET NUMBER	
				5 OF 7	

RECOMMENDED PCB LAYOUT - TYPE 2 (FOR PCB HOLD-DOWN TYPE C)



THIS DRAWING CONTAINS INFORMATION THAT IS PROPRIETARY TO MOLEX ELECTRONIC TECHNOLOGIES, LLC AND SHOULD NOT BE USED WITHOUT WRITTEN PERMISSION		CURRENT REV DESC: MIGRATED		molex			
DIMENSION UNITS	SCALE	EC NO: 636399					
mm	NTS	DRWN: ME 2019/05/23		PRODUCT CUSTOMER DRAWING			
GENERAL TOLERANCES (UNLESS SPECIFIED)		CHK'D: JAKEEMEW 2020/04/23					
ANGULAR TOL	± 3.0°	APPR: SHLENI 2020/05/03		DOCUMENT NUMBER			
4 PLACES	±	INITIAL REVISION:		SD-78827-001			
3 PLACES	±	DRWN: JAKEEMEW 2013/11/14		DOC TYPE			
2 PLACES	± 0.2	APPR: JAKEEMEW 2014/12/01		PSD			
1 PLACE	±	SERIES		DOC PART			
0 PLACES	±	78827		001			
DRAFT WHERE APPLICABLE MUST REMAIN WITHIN DIMENSIONS		THIRD ANGLE PROJECTION	DRAWING	MATERIAL NUMBER	CUSTOMER	REVISION	
			A3-SIZE	SEE TABLE	GENERAL MARKET	A	

PRODUCT NUMBER	PLATING	HOLD-DOWN	RECOMMENDED PCB LAYOUT
78827-0001	SEE NOTE 2	TYPE A	TYPE 1
78827-0002		TYPE B	
78827-0003		TYPE C	TYPE 2

THIS DRAWING CONTAINS INFORMATION THAT IS PROPRIETARY TO MOLEX ELECTRONIC TECHNOLOGIES, LLC AND SHOULD NOT BE USED WITHOUT WRITTEN PERMISSION									
DIMENSION UNITS	SCALE	CURRENT REV DESC: MIGRATED					molex		
mm	NTS								
GENERAL TOLERANCES (UNLESS SPECIFIED)		EC NO: 636399					SAS/PCIE RECEPTACLE		
ANGULAR TOL	± 3.0 °	DRWN: ME 2019/05/23					R/A, SMT, 7.07MM HEIGHT		
4 PLACES	±	CHK'D: JAKEEMEW 2020/04/23					PRODUCT CUSTOMER DRAWING		
3 PLACES	±	APPR: SHLENI 2020/05/03							
2 PLACES	± 0.2	INITIAL REVISION:					DOCUMENT NUMBER		
1 PLACE	±	DRWN: JAKEEMEW 2013/11/14					SD-78827-001		
0 PLACES	±	APPR: JAKEEMEW 2014/12/01					PSD	001	A
DRAFT WHERE APPLICABLE MUST REMAIN WITHIN DIMENSIONS		THIRD ANGLE PROJECTION		DRAWING	SERIES	MATERIAL NUMBER	CUSTOMER		SHEET NUMBER
				A3-SIZE	78827	SEE TABLE	GENERAL MARKET		7 OF 7

DOCUMENT STATUS	P1	RELEASE DATE	2020/05/03	00:10:48
-----------------	----	--------------	------------	----------