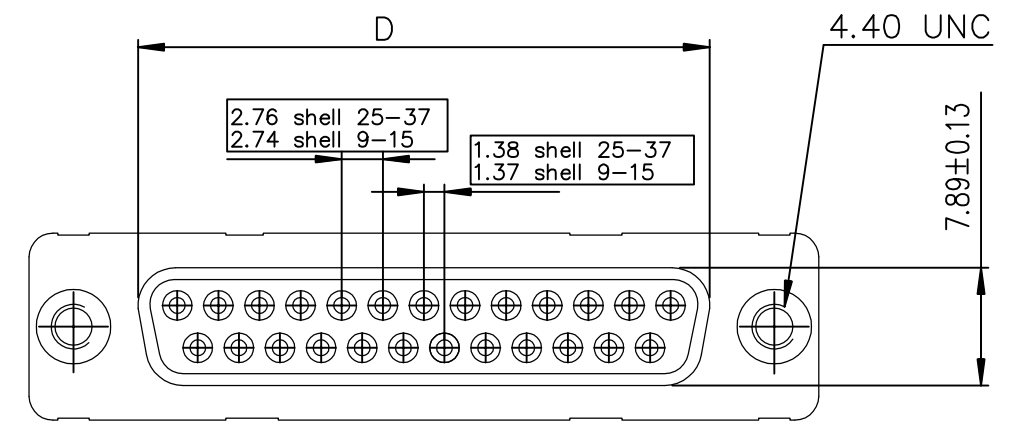
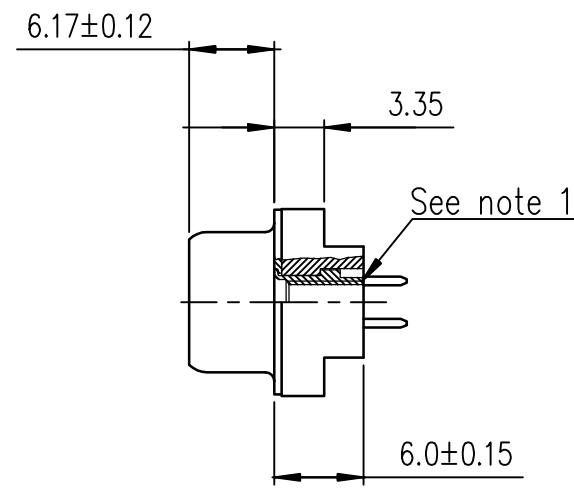
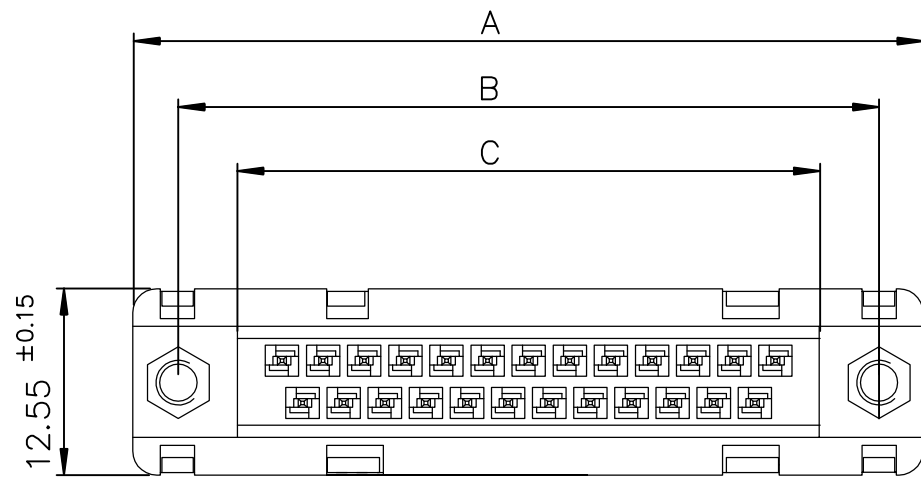


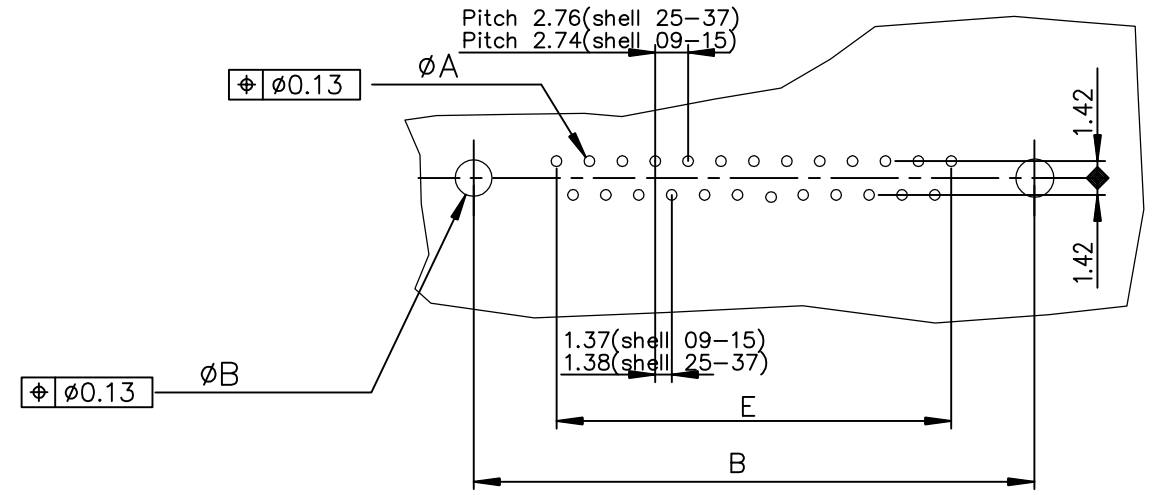
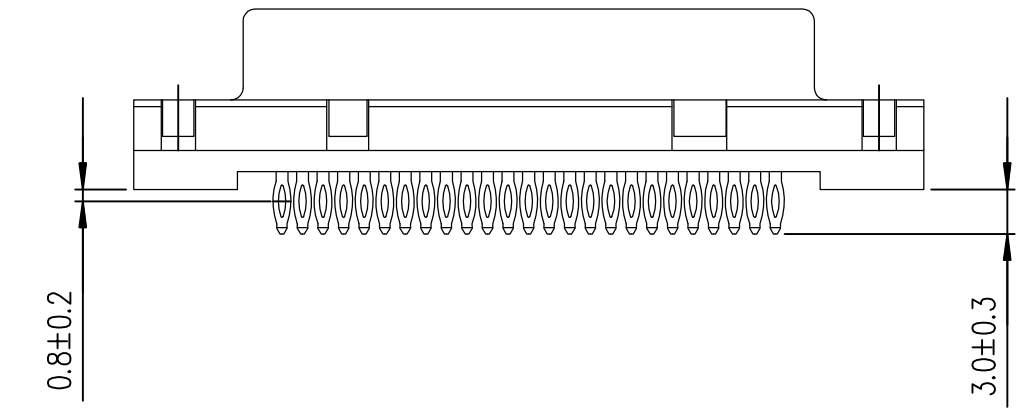


FCIconnect.com

Copyright FCI



PC board drilling dimensions(after plating)
(thickness ≤ 3.20±0.30mm)



Notes:

1) The nut can protrude above the surface of insulator but maintaining the footprint dimension 6±0.15 mm.

GENERAL CHARACTERISTICS AND ROHS INFORMATIONS:
SEE DRAWING C01-8646-0001

LEAD FREE PART NUMBER

SHELL	A±0.38	B±0.12	C±0.10	D±0.25	E±0.07	PART NUMBER	PART NUMBER	PART NUMBER
09	30.81	24.99	16.96	16.21	10.96	D09S91C4PX00LF	D09S91C6PX00LF	D09S91C8PX00LF
15	39.14	33.32	25.18	24.54	19.18	D15S91C4PX00LF	D15S91C6PX00LF	D15S91C8PX00LF
25	53.03	47.04	39.12	38.25	33.12	D25S91C4PX00LF	D25S91C6PX00LF	D25S91C8PX00LF
37	69.32	63.50	55.68	54.71	49.68	D37S91C4PX00LF	D37S91C6PX00LF	D37S91C8PX00LF
						gold flash	0.76μ gold	1.25μ gold

mat'l. code				surface ISO 1302 ✓		tolerance ISO 406 ISO 1101		projection		product family D-SUB	
-								MM		title	
ltr ecn no dr date				tolerances unless otherwise specified						FEMALE CONNECTOR DELTA-D	
J ELX-I-22878 AB 2015/01/06				.0±0.1						STRAIGHT - PRESS FIT	
				angles linear		.00±0.1				dwg no	
				0±2'		.000±0.1		scale 2:1		sheet 1 of 1 size	
				dr MASSON 2000/07/27						A3	
				enr ALIAS BABU 2015/01/06						C01-8646-0129	
				chr MITHUN PAUL 2015/01/06						type Product Customer Drawing	
				appd BIJU K PAUL 2015/01/06							
sheet index		revision sheet		J 1							