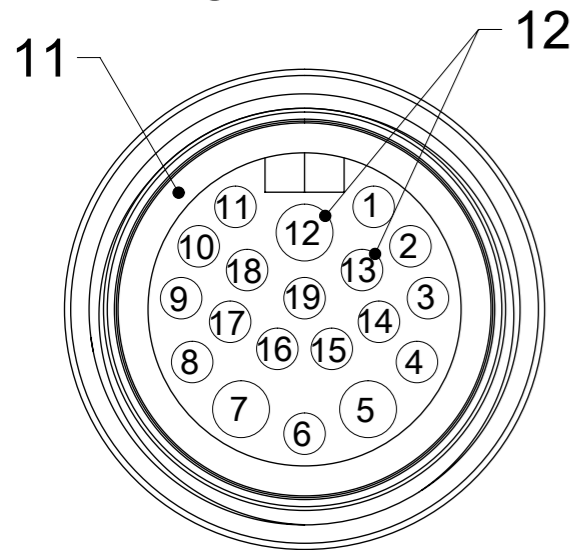


TABLE 1

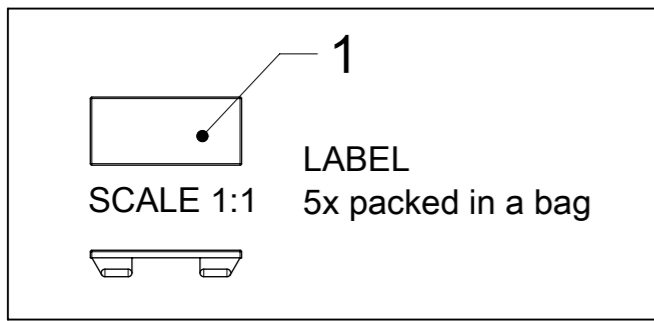
MOLEX P/N	ENG. NO.	CABLE LENGTH (mm)	LED
1202480110	BTB4120-FBW-003	300	NO
1202480111	BTB4120-FBW-01	1000	NO
1202480112	BTB4120-FBW-05	5000	NO
1202480113	BTB4120-FBW-10	10000	NO
1202480114	BTB412N-FBW-003	300	YES
1202480115	BTB412N-FBW-05	5000	YES

19 POLE MALE FACE VIEW



SCALE 2:1

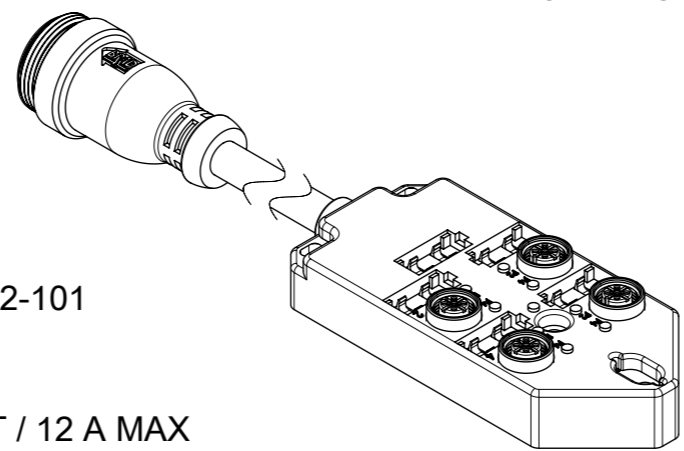
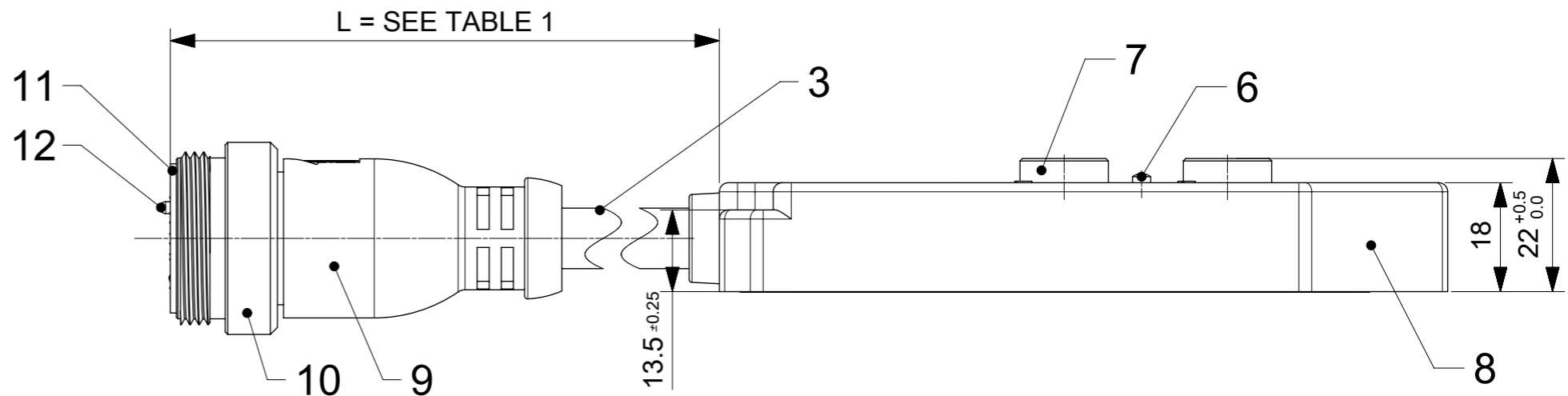
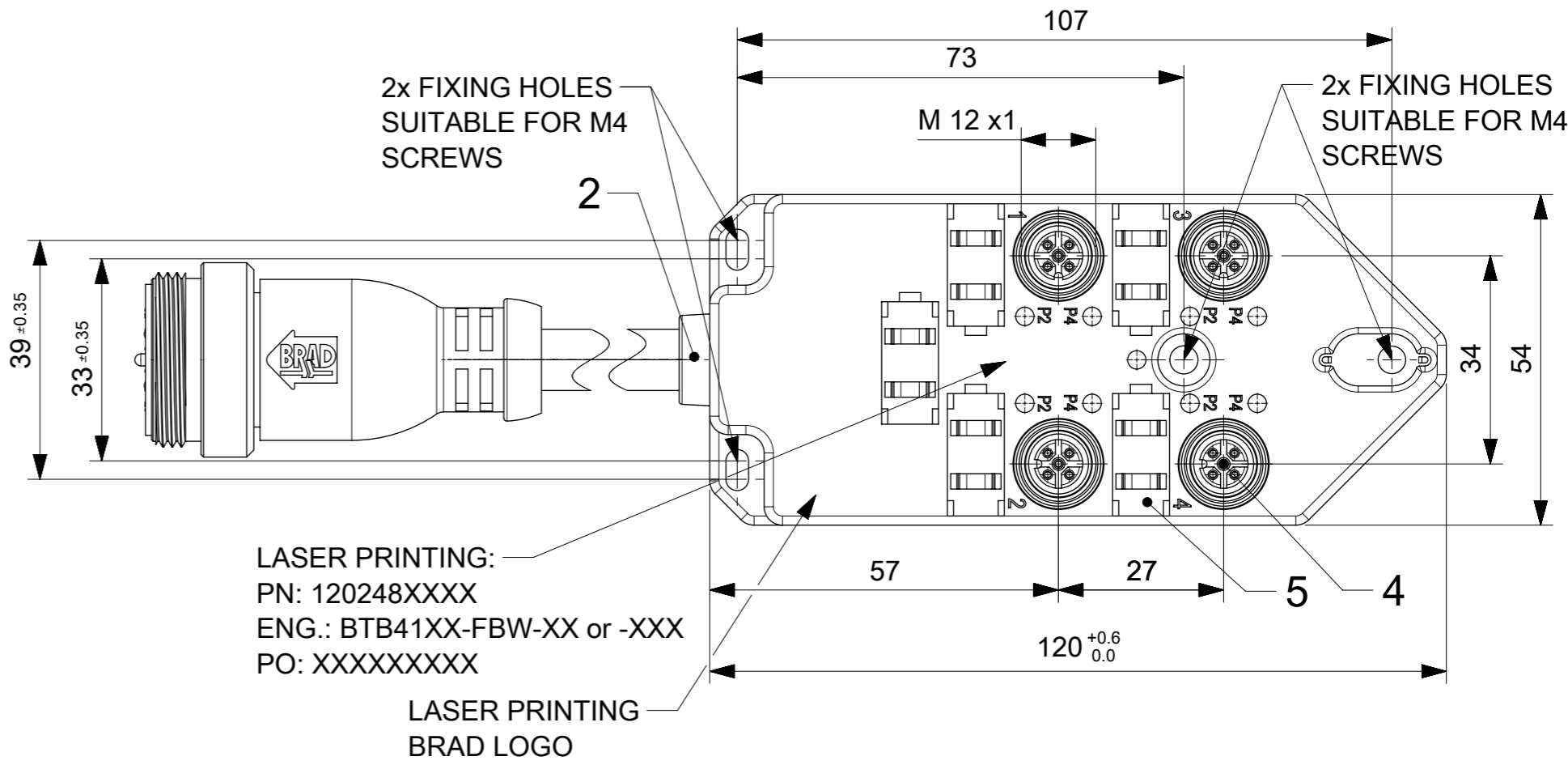
PIN	COLOR
3	GREY
4	RED/BLUE
5	BLUE
6	GREEN
7	BROWN
8	WHITE/GREEN
12	YELLOW/GREEN
14	BROWN/GREEN
15	WHITE
16	YELLOW
19	GREY/PINK



GENERAL CHARACTERISTICS:

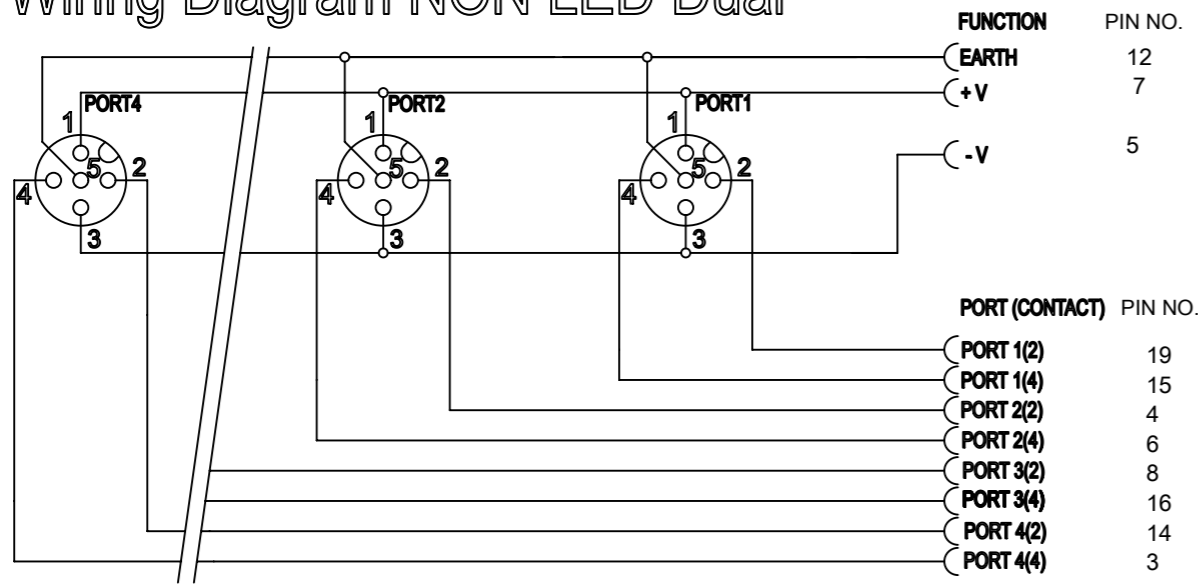
ELECTRICAL AND MECHANICAL DATA ACC. TO IEC 61076-2-101

NOMINAL VOLTAGE: 10-30 V DC  
 AMPERE RATING: 4 A PER PORT / 12 A MAX  
 AMPERE RATING WITH UL REGISTRATION: 3 A PER PORT / 9 A MAX  
 IP DEGREE OF PROTECTION: IP 67  
 TEMPERATURE RANGE: -25°C to + 85°C

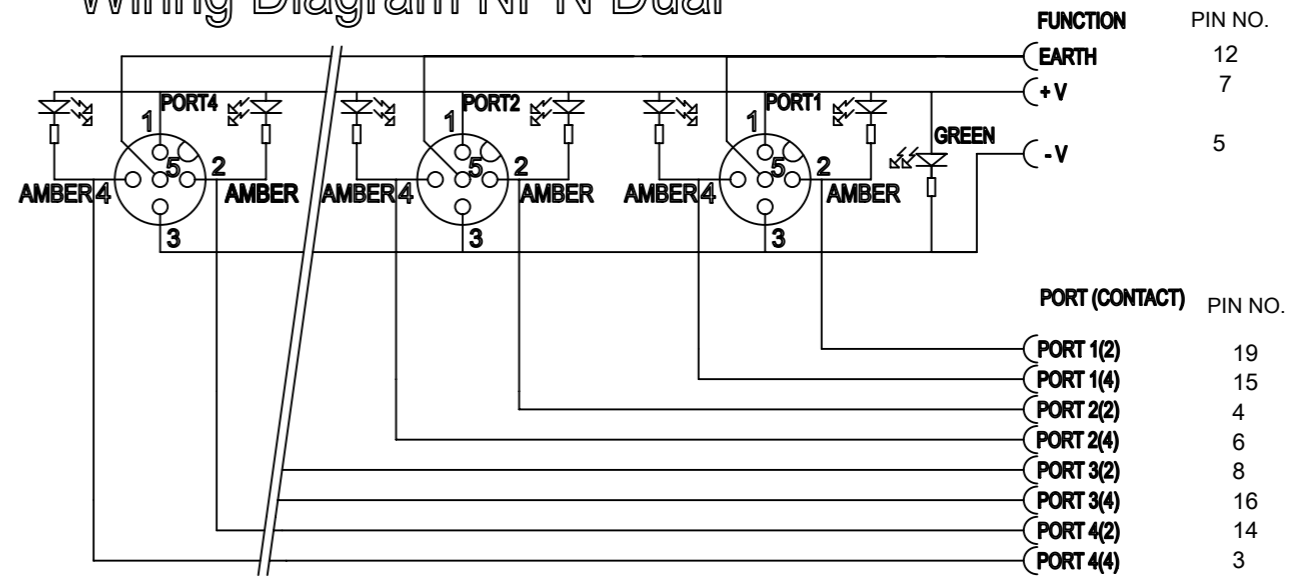


SYMBOLS	THIS DRAWING CONTAINS INFORMATION THAT IS PROPRIETARY TO MOLEX ELECTRONIC TECHNOLOGIES, LLC AND SHOULD NOT BE USED WITHOUT WRITTEN PERMISSION		CURRENT REV DESC: LASER PRINTING ADDED			<b>molex</b>		
	mm	SCALE	EC NO: 606042					
▽ = 0	GENERAL TOLERANCES (UNLESS SPECIFIED)		DRWN: MDHARMANTI 2018/08/30			MPIS M12 PNP NOS 5P 4PT AC FE STR XM 19P MC MA		
▽ = 0	ANGULAR TOL ± °		CHK'D: RSILLER 2018/10/18			PRODUCT CUSTOMER DRAWING		
▽ = 0	4 PLACES ±		APPR: RSILLER 2018/10/18			DOCUMENT NUMBER		
▽ = 0	3 PLACES ±		INITIAL REVISION:			1202480110		
▽ = 0	2 PLACES ±		DRWN: ULETENMEIER 2016/10/20			DOC TYPE DOC PART REVISION		
▽ = 0	1 PLACE ±		APPR: RSILLER 2016/11/16			PSD 000 B		
▽ = 0	0 PLACES ± 0.25		DRAFT WHERE APPLICABLE MUST REMAIN WITHIN DIMENSIONS			MATERIAL NUMBER		
▽ = 0	THIRD ANGLE PROJECTION		DRAWING			CUSTOMER		
▽ = 0	A3-SIZE		SERIES			SHEET NUMBER		
▽ = 0	SEE TABLE 1		120248			GENERAL MARKET		
▽ = 0	1 OF 2							

### Wiring Diagram NON LED Dual



### Wiring Diagram NPN Dual



### TABLE 2 BILL OF MATERIAL

ITEM	DESCRIPTION	MATERIAL	FINISH
1	LABEL	ABS	WHITE
2	CABLE PLATE	PBT	BLACK
3	CABLE	TPU BASED	BLACK
4	CONTACT	BRASS	GOLD OVER NICKEL
5	O-RING	FPM	RED
6	LED	NO LED = PA	BLACK
		WITH LED = PA	TRANSPARENT
7	SHELL	BRASS	NICKEL PLATED
8	HOUSING	PBT	BLACK
9	OVERMOLDING	PVC	YELLOW
10	COUPLING NUT	ZINC DIE CAST	BLACK
11	INSERT	PVC	BLACK
12	CONTACT	BRASS	GOLD OVER NICKEL

<b>SYMBOLS</b> ▽ = 0 ▽ = 0 ▽ = 0 ▽ = 0 ▽ = 0 ▽ = 0 ▽ = 0 ▽ = 0 ▽ = 0 ▽ = 0 ▽ = 0 ▽ = 0	THIS DRAWING CONTAINS INFORMATION THAT IS PROPRIETARY TO MOLEX ELECTRONIC TECHNOLOGIES, LLC AND SHOULD NOT BE USED WITHOUT WRITTEN PERMISSION DIMENSION UNITS: <b>mm</b> SCALE:	CURRENT REV DESC: LASER PRINTING ADDED EC NO: 606042 DRWN: MDHARMANTI 2018/08/30 CHK'D: RSILLER 2018/10/18 APPR: RSILLER 2018/10/18	 MPIS M12 PNP NOS 5P 4PT AC FE STR XM 19P MC MA PRODUCT CUSTOMER DRAWING	
	GENERAL TOLERANCES (UNLESS SPECIFIED) ANGULAR TOL ± °	INITIAL REVISION: DRWN: ULETENMEIER 2016/10/20 APPR: RSILLER 2016/11/16		DOCUMENT NUMBER: <b>1202480110</b> DOC TYPE: PSD DOC PART: 000 REVISION: B
	4 PLACES ± 3 PLACES ± 2 PLACES ± 1 PLACE ± 0 PLACES ± 0.25	THIRD ANGLE PROJECTION DRAWING: A3-SIZE SERIES: 120248		MATERIAL NUMBER: SEE TABLE 1 CUSTOMER: GENERAL MARKET SHEET NUMBER: 2 OF 2
	DRAFT WHERE APPLICABLE MUST REMAIN WITHIN DIMENSIONS	DRAWING: A3-SIZE SERIES: 120248		MATERIAL NUMBER: SEE TABLE 1 CUSTOMER: GENERAL MARKET SHEET NUMBER: 2 OF 2