

Description

AH1822 is comprised of two Hall effect plates and an open-drain output driver, mainly designed for battery-operation, hand-held equipment (such as Cellular and Cordless Phone, PDA). The total power consumption in normal operation is typically 24 μ W with a 3V power source.

Either north or south pole of sufficient strength will turn the output on. The output will be turned off under no magnetic field. While the magnetic flux density (**B**) is larger than operating point (**Bop**), the output will be turned on (low), the output is held until **B** is lower than release point (**Brp**), then turned off.

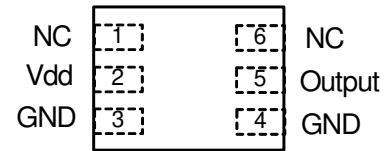
Features

- Micropower Operation
- Operation with Magnetic Field of Either North or South Pole (Omnipolar)
- 2.5V to 5.5V Battery Operation
- Chopper Stabilized
 - Superior Temperature Stability
 - Extremely Low Switch-Point Drift
 - Insensitive to Physical Stress
- Good RF Noise Immunity
- -40°C to +85°C Operating Temperature
- ESD (HBM) > 5kV
- **Totally Lead-Free & Fully RoHS Compliant (Notes 1 & 2)**
- **Halogen and Antimony Free. "Green" Device (Note 3)**

- Notes:
1. No purposely added lead. Fully EU Directive 2002/95/EC (RoHS), 2011/65/EU (RoHS 2) & 2015/863/EU (RoHS 3) compliant.
 2. See <https://www.diodes.com/quality/lead-free/> for more information about Diodes Incorporated's definitions of Halogen- and Antimony-free, "Green" and Lead-free.
 3. Halogen- and Antimony-free "Green" products are defined as those which contain <900ppm bromine, <900ppm chlorine (<1500ppm total Br + Cl) and <1000ppm antimony compounds.

Pin Assignments

(Top View)



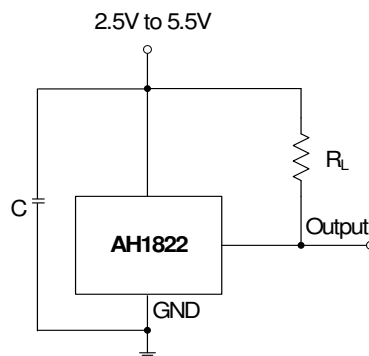
X2-DFN2015-6

Note: 4. NC is "No Connection" which is recommended to be tied to ground.

Applications

- Cover Switch in Clam-Shell Cellular Phones
- Cover Switch in Notebook PC/PDA
- Contact-Less Switch in Consumer Products

Typical Applications Circuit

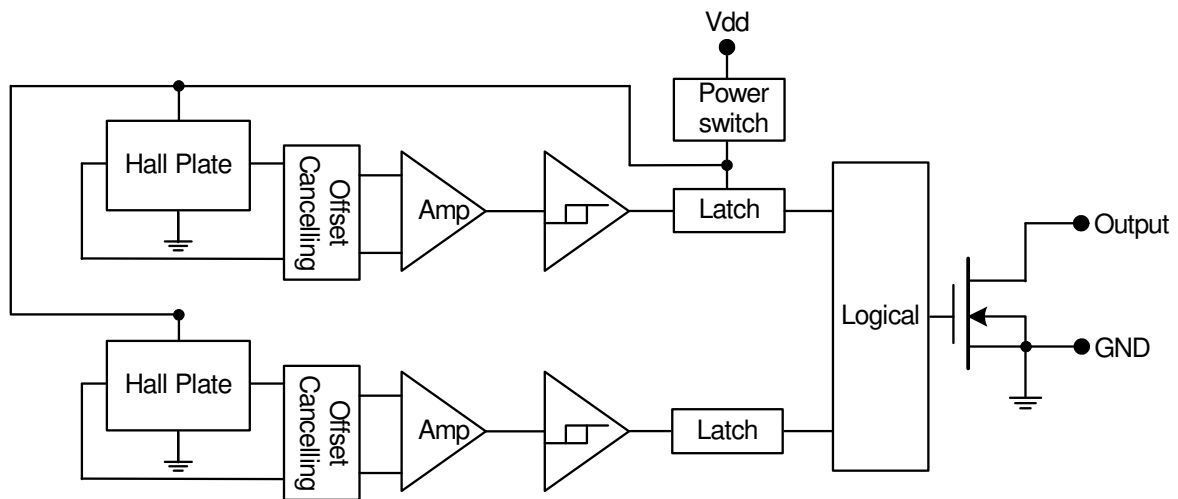


Note: 5. C is for power stabilization and to strengthen the noise immunity, the recommended capacitance is 10nF to 100nF. R_L is the pull-up resistor, the recommended resistance is 10k Ω to 100k Ω .

Pin Descriptions

Pin Name	P/I/O	Description
Vdd	P/I	Power Supply Input
GND	P/I	Ground
Output	O	Output Pin
NC	NC	No Connected

Functional Block Diagram



Absolute Maximum Ratings (@ $T_A = +25^\circ\text{C}$, unless otherwise specified.)

Symbol	Parameter	Rating	Unit
V_{dd}	Supply Voltage	7	V
B	Magnetic Flux Density	Unlimited	
T_{STG}	Storage Temperature Range	-65 to +150	$^\circ\text{C}$
P_D	Package Power Dissipation	230	mW
T_J	Maximum Junction Temperature	+150	$^\circ\text{C}$

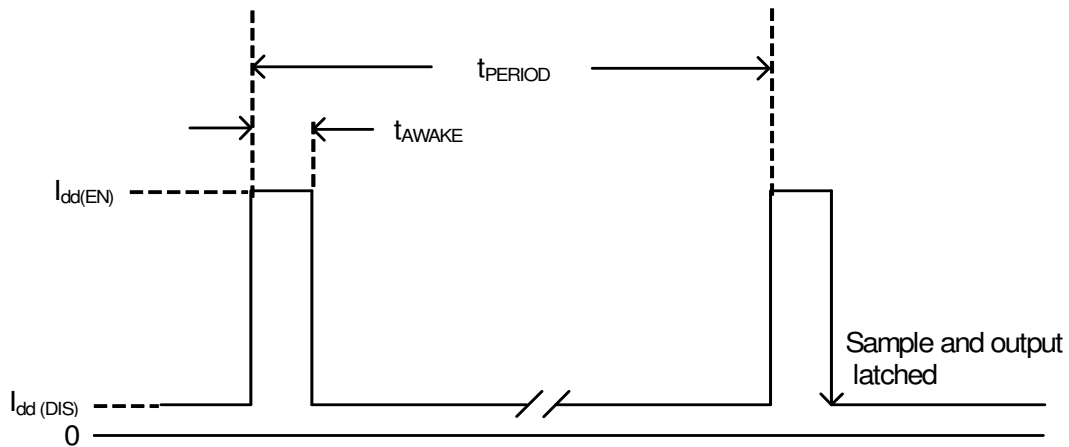
Recommended Operating Conditions

Symbol	Parameter	Conditions	Rating	Unit
V_{dd}	Supply Voltage	Operating	2.5 to 5.5	V
T_A	Operating Temperature Range	Operating	-40 to +85	$^\circ\text{C}$

Electrical Characteristics (@ $T_A = +25^\circ\text{C}$, $V_{dd} = 3\text{V}$, unless otherwise specified.)

Symbol	Parameter	Conditions	Min	Typ	Max	Unit
V_{OUT}	Output On Voltage	$I_{OUT}=1\text{mA}$	—	0.1	0.3	V
I_{OFF}	Output Leakage Current	$V_{OUT}=5.5\text{V}$, Output off	—	<0.1	1	μA
$I_{dd}(EN)$	Supply Current	Chip enable, $T_A = +25^\circ\text{C}$, $V_{dd} = 3\text{V}$	—	3	6	mA
$I_{dd}(EN)$		Chip enable, $T_A = -40$ to $+85^\circ\text{C}$, $V_{dd} = 2.5\text{V}$ to 5.5V	—	3	10	mA
$I_{dd}(DIS)$		Chip disable, $T_A = +25^\circ\text{C}$, $V_{dd} = 3\text{V}$	—	5	10	μA
$I_{dd}(DIS)$		Chip disable, $T_A = -40$ to $+85^\circ\text{C}$, $V_{dd} = 2.5\text{V}$ to 5.5V	—	5	18	μA
$I_{dd}(AVG)$		Average supply current, $T_A = +25^\circ\text{C}$, $V_{dd} = 3\text{V}$	—	8	16	μA
$I_{dd}(AVG)$		Average supply current, $T_A = -40$ to $+85^\circ\text{C}$, $V_{dd} = 2.5\text{V}$ to 5.5V	—	8	28	μA
f_C		Chopping Frequency	For design information only	—	300	—
t_{AWAKE}	Awake Time	(Note 6)	—	75	150	μs
t_{PERIOD}	Period	(Note 6)	—	75	150	ms
D.C.	Duty Cycle	—	—	0.1	—	%

Notes: 6. When power is initially on, the operating V_{dd} (2.5V to 5.5V) must be applied to be guaranteed for the output sampling. The output state is valid after the second operating phase (typical 150ms).

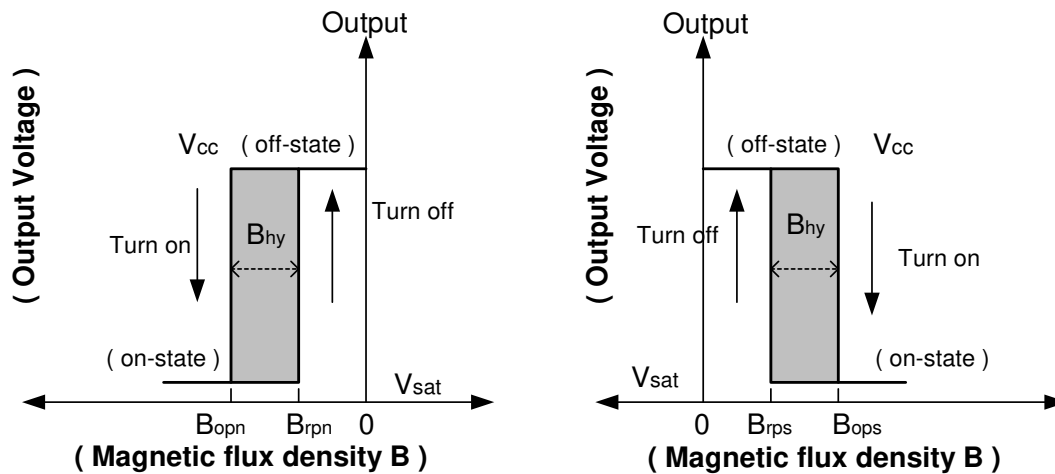


Magnetic Characteristics (@ $T_A = +25^\circ\text{C}$, $V_{dd} = 3\text{V}$, unless otherwise specified. Notes 7 and 8)

(1mT=10 Gauss)

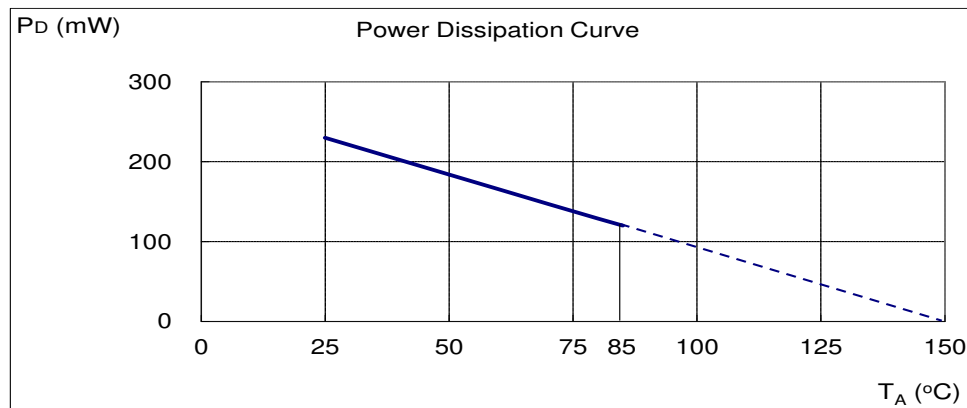
Symbol	Characteristic	Min	Typ	Max	Unit
Bops(South Pole to Brand Side)	Operate Point	—	28	55	Gauss
Bopn(North Pole to Brand Side)		-55	-28	—	
Brps(South Pole to Brand Side)	Release Point	10	20	—	
Brpn(North Pole to Brand Side)		—	-20	-10	
$B_{hy} (B_{opx} - B_{rpx})$	Hysteresis	5	8	—	

Notes: 7. Typical data is at $T_A = +25^\circ\text{C}$, $V_{dd} = 3\text{V}$, and for design information only.
8. Operating point and release point will vary with supply voltage and operating temperature.

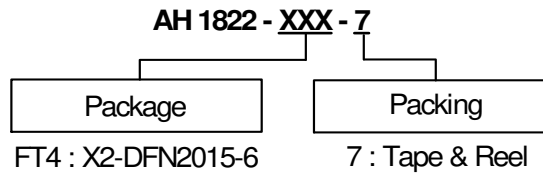


Performance Characteristics

T_A ($^\circ\text{C}$)	25	50	60	70	80	85	90	100	110	120	130	140	150
P_D (mW)	230	184	166	147	129	120	110	92	74	55	37	18	0



Ordering Information



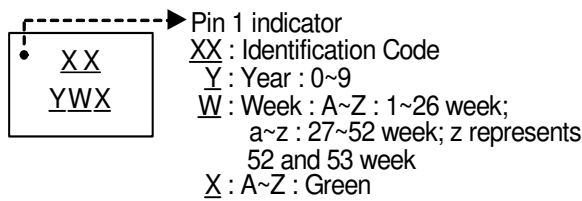
Device	Package Code	Packaging	7" Tape and Reel	
			Quantity	Part Number Suffix
AH1822-FT4-7	FT4	X2-DFN2015-6	3000/Tape & Reel	-7

Note: 9. For packaging details, go to our website at <https://www.diodes.com/design/support/packaging/diodes-packaging/>.

Marking Information

(1) X2-DFN2015-6

(Top View)

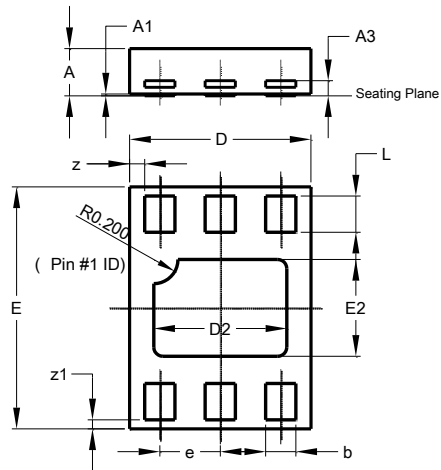


Part Number	Package	Identification Code
AH1822	X2-DFN2015-6	K7

Package Outline Dimensions (All dimensions in mm.)

Please see <http://www.diodes.com/package-outlines.html> for the latest version.

(1) Package Type: X2-DFN2015-6

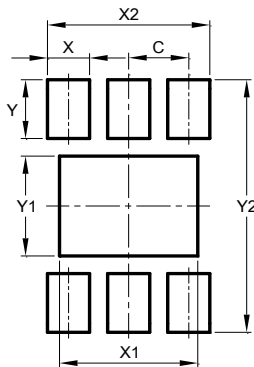


X2-DFN2015-6			
Dim	Min	Max	Typ
A	0.375	0.40	0.390
A1	0	0.05	0.02
A3	-	-	0.13
b	0.20	0.30	0.25
D	1.45	1.575	1.50
D2	1.00	1.20	1.10
e	-	-	0.50
E	1.95	2.075	2.00
E2	0.70	0.90	0.80
L	0.25	0.35	0.30
Z	-	-	0.125
Z1	-	-	0.075
All Dimensions in mm			

Suggested Pad Layout

Please see <http://www.diodes.com/package-outlines.html> for the latest version.

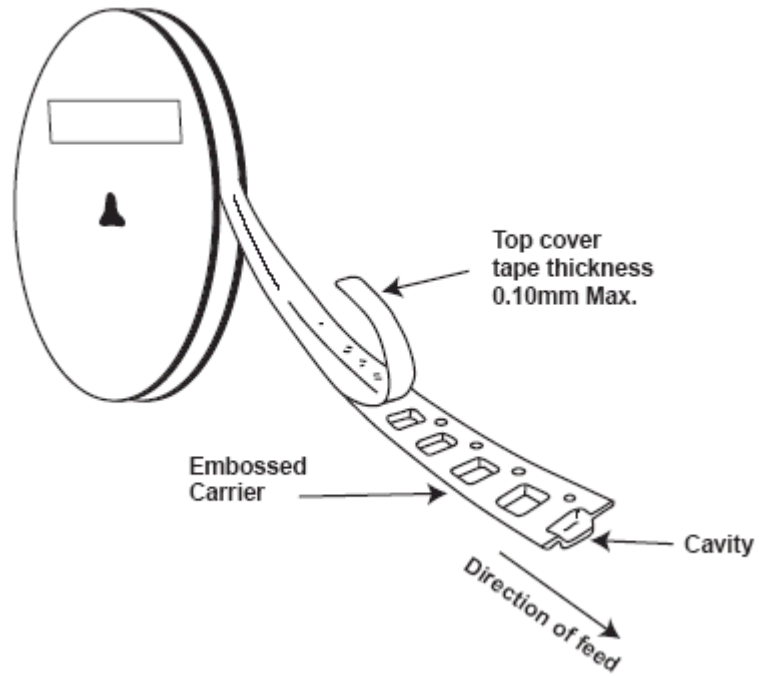
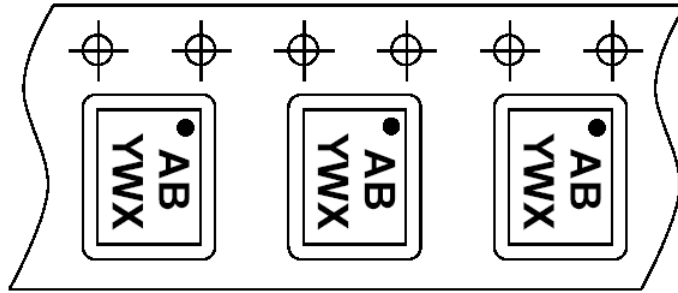
(1) Package type: X2-DFN2015-6



X2-DFN2015-6	
Dimensions	Value (in mm)
C	0.500
X	0.350
X1	1.150
X2	1.350
Y	0.500
Y1	0.850
Y2	2.150

Taping Orientation

(1) X2-DFN2015-6



Notes: 10. The taping orientation of the other package type can be found on our website at <http://www.diodes.com/datasheets/ap02007.pdf>.

IMPORTANT NOTICE

DIODES INCORPORATED MAKES NO WARRANTY OF ANY KIND, EXPRESS OR IMPLIED, WITH REGARDS TO THIS DOCUMENT, INCLUDING, BUT NOT LIMITED TO, THE IMPLIED WARRANTIES OF MERCHANTABILITY AND FITNESS FOR A PARTICULAR PURPOSE (AND THEIR EQUIVALENTS UNDER THE LAWS OF ANY JURISDICTION).

Diodes Incorporated and its subsidiaries reserve the right to make modifications, enhancements, improvements, corrections or other changes without further notice to this document and any product described herein. Diodes Incorporated does not assume any liability arising out of the application or use of this document or any product described herein; neither does Diodes Incorporated convey any license under its patent or trademark rights, nor the rights of others. Any Customer or user of this document or products described herein in such applications shall assume all risks of such use and will agree to hold Diodes Incorporated and all the companies whose products are represented on Diodes Incorporated website, harmless against all damages.

Diodes Incorporated does not warrant or accept any liability whatsoever in respect of any products purchased through unauthorized sales channel. Should Customers purchase or use Diodes Incorporated products for any unintended or unauthorized application, Customers shall indemnify and hold Diodes Incorporated and its representatives harmless against all claims, damages, expenses, and attorney fees arising out of, directly or indirectly, any claim of personal injury or death associated with such unintended or unauthorized application.

Products described herein may be covered by one or more United States, international or foreign patents pending. Product names and markings noted herein may also be covered by one or more United States, international or foreign trademarks.

This document is written in English but may be translated into multiple languages for reference. Only the English version of this document is the final and determinative format released by Diodes Incorporated.

LIFE SUPPORT

Diodes Incorporated products are specifically not authorized for use as critical components in life support devices or systems without the express written approval of the Chief Executive Officer of Diodes Incorporated. As used herein:

A. Life support devices or systems are devices or systems which:

1. are intended to implant into the body, or
2. support or sustain life and whose failure to perform when properly used in accordance with instructions for use provided in the labeling can be reasonably expected to result in significant injury to the user.

B. A critical component is any component in a life support device or system whose failure to perform can be reasonably expected to cause the failure of the life support device or to affect its safety or effectiveness.

Customers represent that they have all necessary expertise in the safety and regulatory ramifications of their life support devices or systems, and acknowledge and agree that they are solely responsible for all legal, regulatory and safety-related requirements concerning their products and any use of Diodes Incorporated products in such safety-critical, life support devices or systems, notwithstanding any devices- or systems-related information or support that may be provided by Diodes Incorporated. Further, Customers must fully indemnify Diodes Incorporated and its representatives against any damages arising out of the use of Diodes Incorporated products in such safety-critical, life support devices or systems.

Copyright © 2018, Diodes Incorporated

www.diodes.com