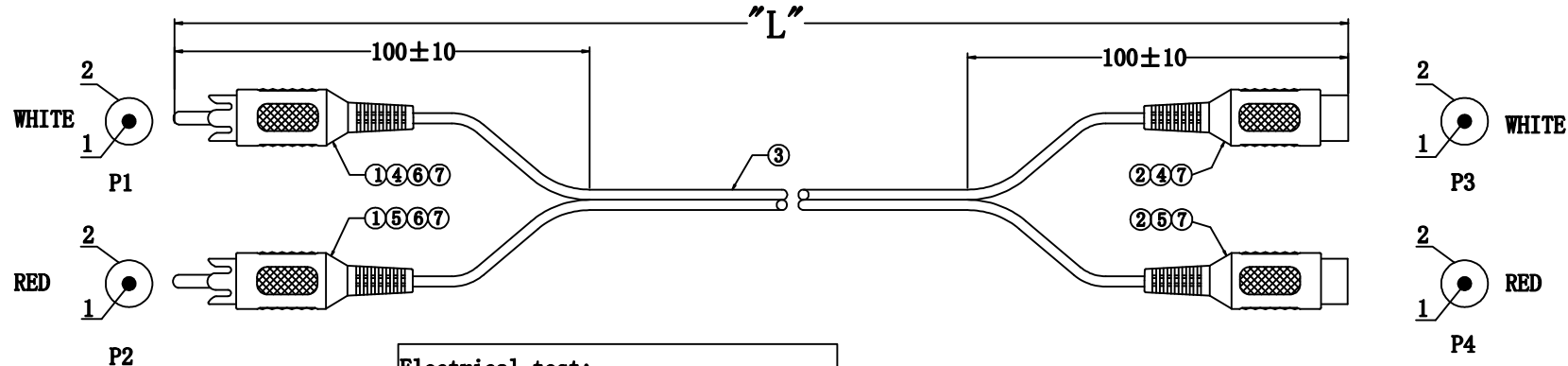


UNIT:MM

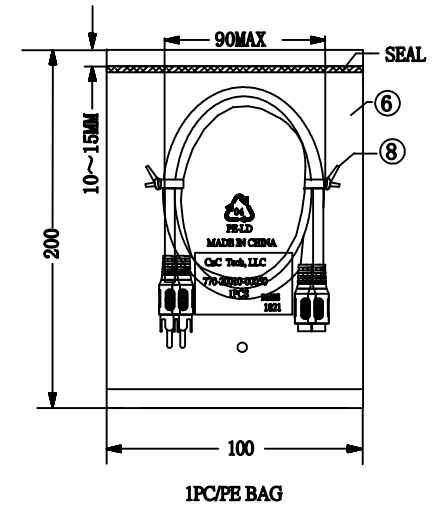
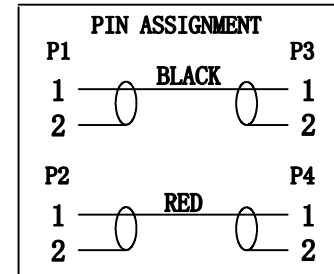
REVISION INFORMATION

Rev.	Rev. Date	Modified By	Brief Description
A/0	18-10-12	T1011A	NEW DRAWING



Electrical test:  
 1. 100% short, open, miswire test  
 2. Conduct resistance: 5 Ohm (max)  
 3. Insulation resistance: 10Mohm (min)  
 4. dielectric test: DC 300V

PART NO	WIRE LENGTH "L"	BUYER COLOR	VENDOR COLOR	CUT LENGTH
770-20010-00050	500±15		BLACK	500-505MM



NO.	NAME	QTY	SPECIFICATION
⑩	TIE	2	BLACK L=90MM
⑨	PE BAG	1/10	CLEAR SIZE:230*300*0.05mm PRINT BLACK"MADE IN CHINA"+"1PCS"
⑧	PE BAG	1	CLEAR SIZE:100*200*0.05mm PRINT BLACK"MADE IN CHINA"+"1PC"
⑦	TUBE	4	HEAT SHRINK TUBE BLACK OD1.5*10MM
⑥	IN JACKET	3.2g	CLEAR LD-PE(Mould NO.:NM-006)
⑤	OUT JACKET	6.6g	PVC-55P RED(R1-064)(Mould NO.WM-009)
④	OUT JACKET	6.6g	PVC-55P WHITE(W-166)(Mould NO.WM-009)
③	CABLE	1	NOUL 28#(0.12/7+30/0.12)*2F JACKET BLACK OD2.8*5.6mm
②	CONN	2	RCA PLUG FEMALE NI-PLATED INSULATOR COLOR:BROWN
①	CONN	2	RCA PLUG MALE BLOSSOM TYPE NI-PLATED INSULATOR COLOR:BROWN

**CnC Tech, LLC**  
 Industrial Cable and Connector Technology

DRAWN BY:	DATE: 2018/10/12	DESCRIPTION: 2F CABLE RCA/M*2+RCA/F*2
CHECKED BY:	SHEET 1 of 1	ITEM NO. As above
APPROVED BY:	SCALE 1:1	REV. A/0 UNIT: mm