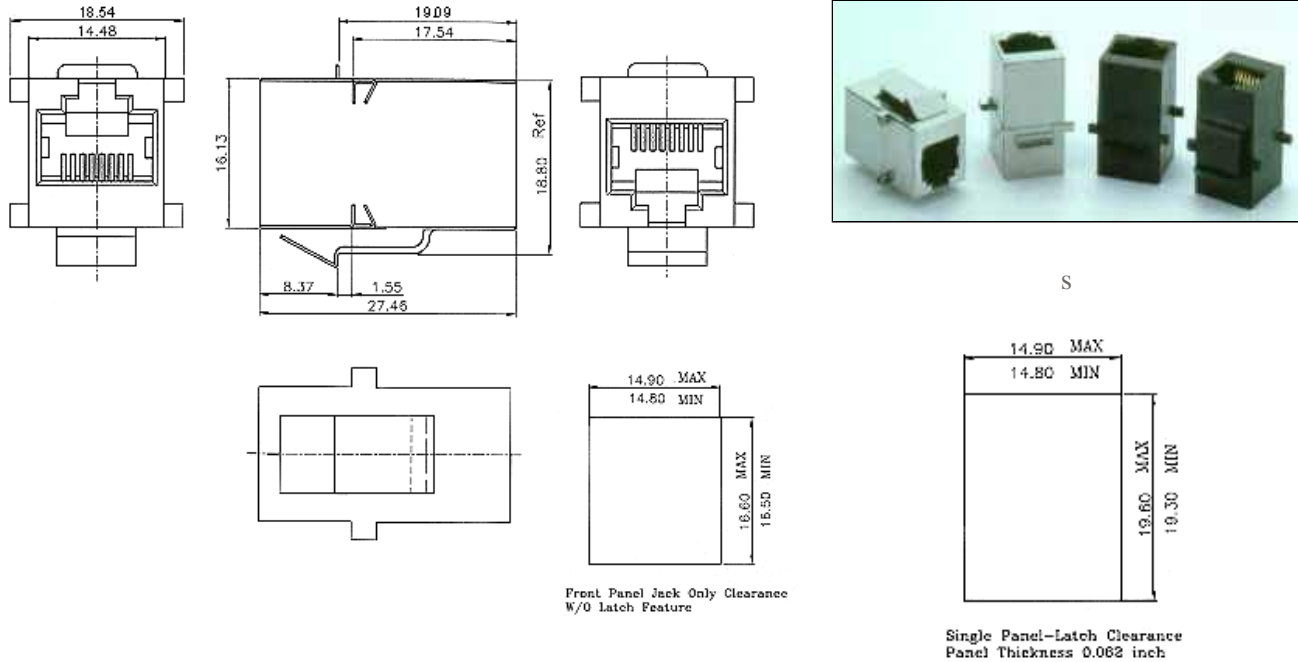


Modular Couplers



Materials

- Shielded:** Stainless Steel
- Housing:** Standard Material Glass Filled Polyester UL 94V-0
Standard Color Black
- Contact:** 0.35mm (0.014") Thickness Alloy C5210. Gold Plating Over Nickel.
- Gold Plating:** 0.76 u m / 30 u inch

Ordering Information

Positions/ Contacts	Description	Unshielded	Shielded
6P2C	Modular Coupler, Snap-In	310162BK ‡	310162S*
6P4C	Modular Coupler, Snap-In	310164BK ‡	310164S*
6P6C	Modular Coupler, Snap-In	310166BK ‡	310166S*
8P8C	Modular Coupler, Snap-In	310188BK ‡	310188S* ‡

Black (BK) is standard.

Optional colors may require minimum order quantities.

Red, Green
Blue, Yellow White, Ivory
Gray

‡ Add Letter "K" To Denote Keyed
See Page 21 For Keystone Wall Plates