

Ratings
 Voltage: 30 V
 Current: 2.5 A

Operating Temperature Range
 -55~85 °C

Materials

- ① Insulator: PA4T, UL94 V-0, black
- ② Contact: C5191 Phosphor bronze, 20 μ" silver plated
- ③ Shell: SUS304, >50 μ" nickel plated
- ④ Green LED

Electrical Requirements

Dielectric strength: 1 min @ 500 Vac
 Insulation resistance: 100 MΩ @ 500 Vdc
 Contact resistance: 30 mΩ or less

Mechanical Requirements

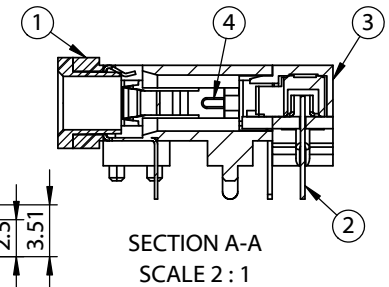
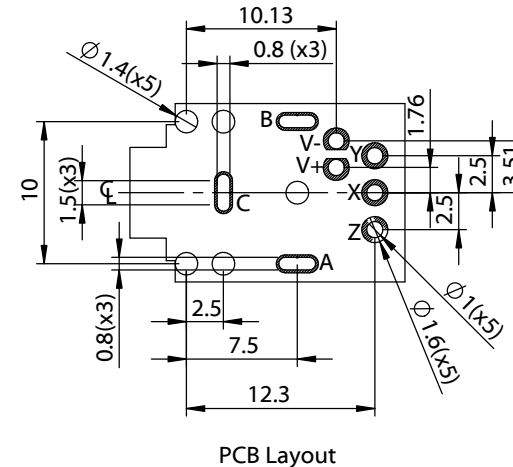
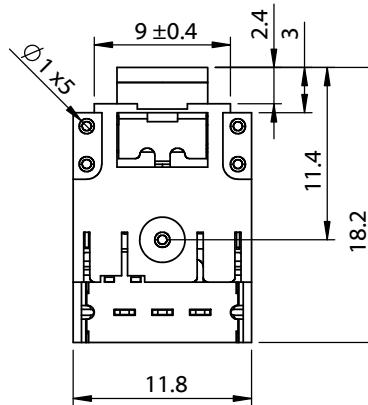
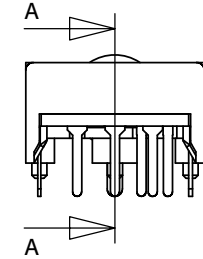
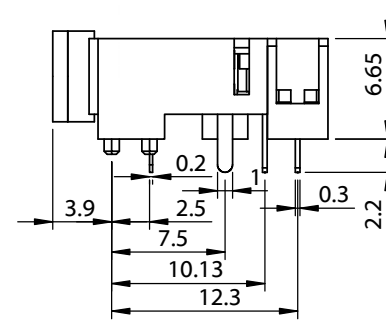
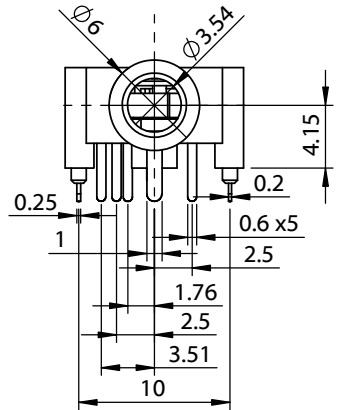
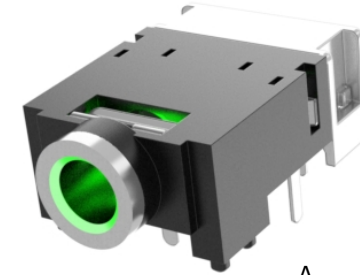
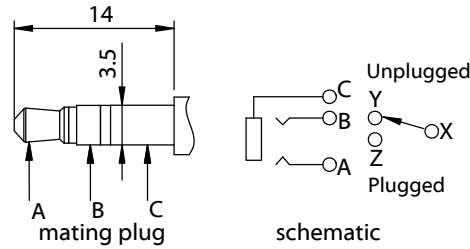
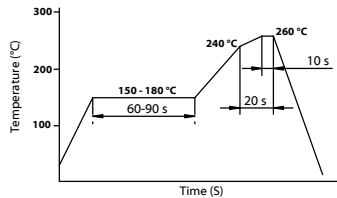
Insertion force: 0.4-3.0 kgf
 Withdrawal force: 0.4-3.0 kgf
 Life cycle: 5000 mating cycles while maintaining 0.4 kgf min. insertion force, 0.4 kgf min. withdrawal force.

Soldering

Solderability: 75% minimum coverage when terminals dipped 2mm in 245 ±5 °C solder bath for 3 ±0.5 seconds
 Solder bath durability: no deformation when immersed in 255 ±5 °C up to surface of the board 1.6 mm for 5 seconds or less
 Solder iron durability: no deformation when exposed to 300 ±10 °C for 3 ±0.5 seconds

Reflow Soldering Temperature Profile

Pb - Free Flow Profile
 Solder conditions vary depending on reflow soldering equipment.
 The surface temperature of the jack must not exceed 260 °C.



| Revision: | Date: | Description: |
|-----------|---------|-----------------|
| A | 4/20/22 | Initial release |
| | | |
| | | |
| | | |

Prepared: JD
Digitally signed by JD
 Date: 2022.05.31
 16:49:40 -07'00'

Verified: AG
Digitally signed by AG
 Date: 2022.07.12
 16:32:01 -07'00'

Dimensions are in millimeters.
 Tolerances:
 X: ± 0.38 mm
 X.X: ± 0.25 mm
 X.XX: ± 0.15 mm

Notes:
 RoHS compliant

Function test: no open, no short circuit, no intermittent

Description:
 Connector, 3C audio jack with green LED, 3.5xL18 mm, thru hole, silver plated

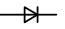
TENSILITY

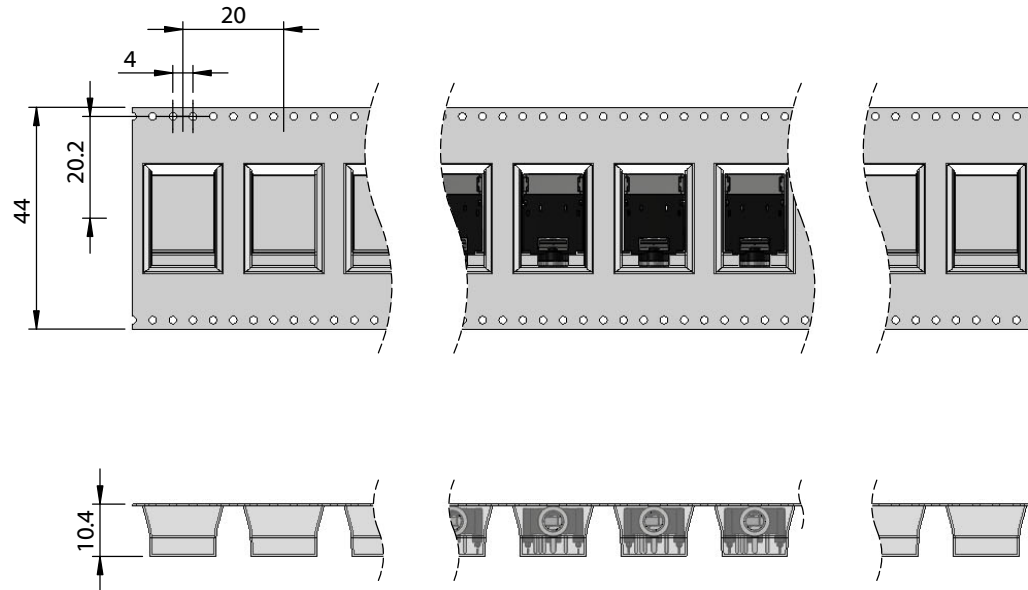
tel 1.541.323.3228 800 877.670.7118
 fax 1.541.323.4202 web tensility.com

| | |
|------------|-----------------------|
| Size: A | Part number: 54-00301 |
| Scale: 2:1 | Sheet 1 of 2 |

Packaging
300 pcs/reel
13 reels/box

| Parameter | Condition | Min. | Typical | Max. |
|--------------------------|-----------|---------|---------|------------|
| Forward Voltage | I = 20 mA | 2.70 V | | 3.50 V |
| Luminous Intensity | I = 20 mA | 600 mcd | | 1000 mcd |
| Reverse Current | V = 5 V | | | 10 μ A |
| Chromaticity Coordinates | I = 20 mA | 520 nm | | 525 nm |
| Spectral Line Half-Width | I = 20 mA | | 30 nm | |

(V+) \rightarrow  (V-)
LED configuration
(Common Anode)



| Revision: | Date: | Description: |
|-----------|---------|-----------------|
| A | 4/20/22 | Initial release |
| | | |
| | | |
| | | |


Prepared:
JD
Digitally signed by JD
Date: 2022.05.31
16:49:52 -07'00'

Verified:
AG
Digitally signed by AG
Date: 2022.07.12
16:32:14 -07'00'

Notes:
RoHS compliant
Function test: no open, no short circuit, no intermittent
Description:
Connector, 3C audio jack with green LED, 3.5xL18 mm, thru hole, silver plated

TENSILITY

tel 1.541.323.3228 800 877.670.7118
fax 1.541.323.4202 web tensility.com

| | |
|--------------|--|
| Size: A | Part number: 54-00301 |
| Scale: 1:1.5 |  Sheet 2 of 2 |