

THE INFORMATION CONTAINED HEREIN IS CONSIDERED "PROPRIETARY" TO BEL FUSE INC. AND SHALL NOT BE COPIED, REPRODUCED OR DISCLOSED WITHOUT THE WRITTEN APPROVAL OF BEL FUSE INC.

PRELIMINARY

LED1 POLARITY			LED2 POLARITY		
PIN 7	PIN 8	COLOR	PIN 9	PIN 10	COLOR
-	+	GREEN	-	+	YELLOW

ELECTRICAL CHARACTERISTICS @ 25°C

URNS RATIO

TX ICT : 1
 RX ICT : 1

OCL @ 100kHz/100mVRMS
 8mA DC BIAS 350µH MIN.

INS. LOSS
 1MHz TO 100MHz -1.0 dB MAX

RET. LOSS (MIN)
 1MHz-30MHz -18 dB
 30MHz-60MHz $-18+20\text{LOG}(F/30\text{MHz})$ dB
 60MHz-80MHz -12 dB

CROSS TALK (TX - RX)
 500kHz-1MHz -70 dB MIN
 10 MHz -50 dB MIN
 30 MHz -45 dB MIN
 50 MHz -40 dB MIN
 100 MHz -35 dB MIN

CM TO CM REJ
 100kHz-1MHz -70 dB MIN
 10 MHz -47 dB MIN
 30 MHz -42 dB MIN
 60 MHz -37 dB MIN
 100 MHz -30 dB MIN

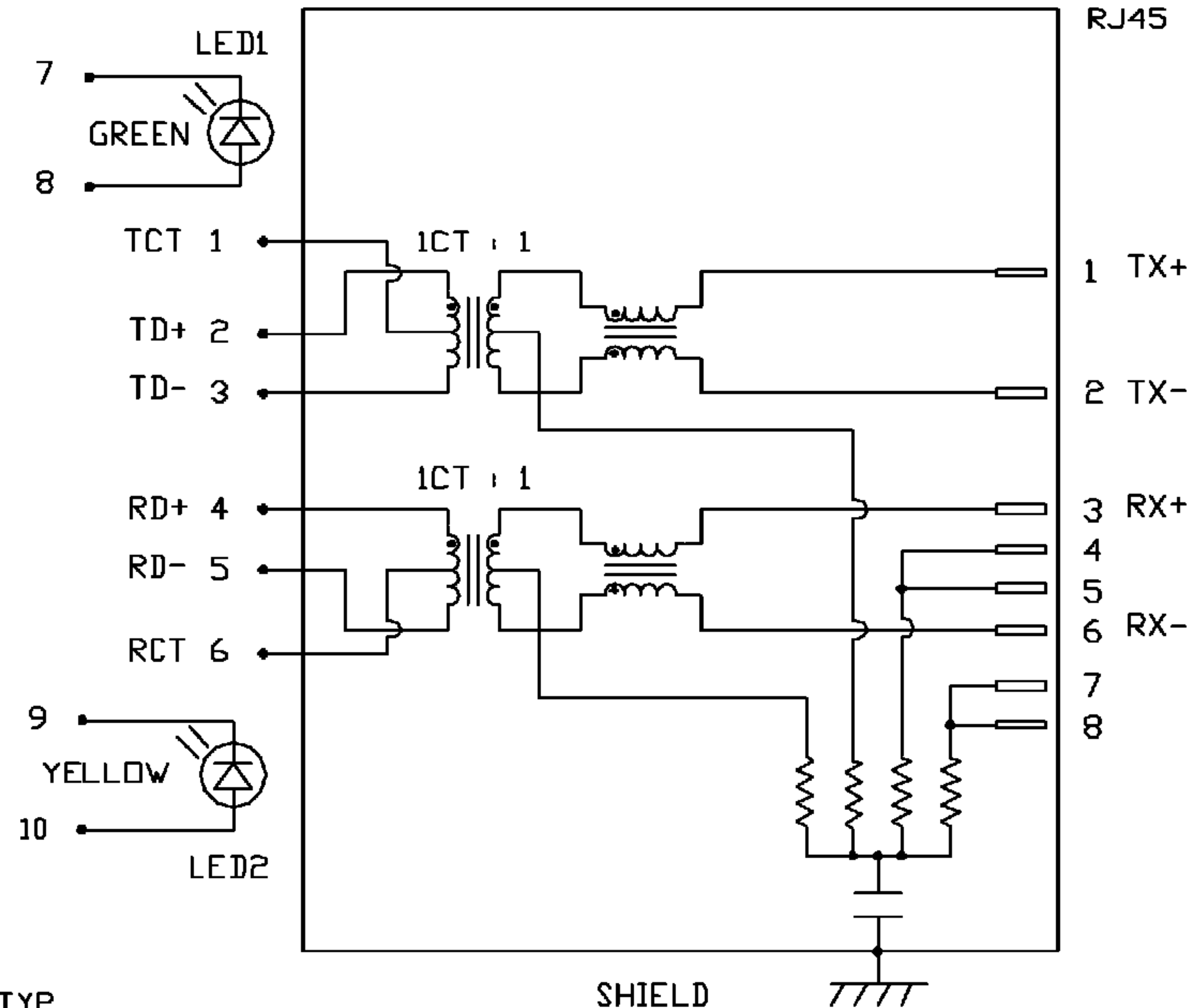
CM TO DM REJ
 100kHz-1MHz -70 dB MIN
 10 MHz -60 dB MIN
 30 MHz -50 dB MIN
 60 MHz -45 dB MIN
 100 MHz -40 dB MIN

HIPOT (Isolation Voltage) 1500 Vrms

LED 1
 VF (FORWARD VOLTAGE) IF=20mA GREEN 2.2V TYP.
 λD (DOMINANT WAVELENGTH) IF=20mA GREEN 565nm TYP.

LED 2
 VF (FORWARD VOLTAGE) IF=20mA YELLOW 2.1V TYP.
 λD (DOMINANT WAVELENGTH) IF=20mA YELLOW 590nm TYP.

SCHEMATIC



DRWN	DATE	TITLE
CHUNG	10-16-04	1X4 MagJack™
CHKD	DATE	(4 Cores, MDIX, CM Termination)
CHUNG	10-16-04	

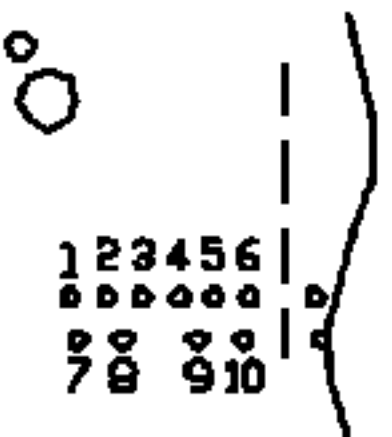
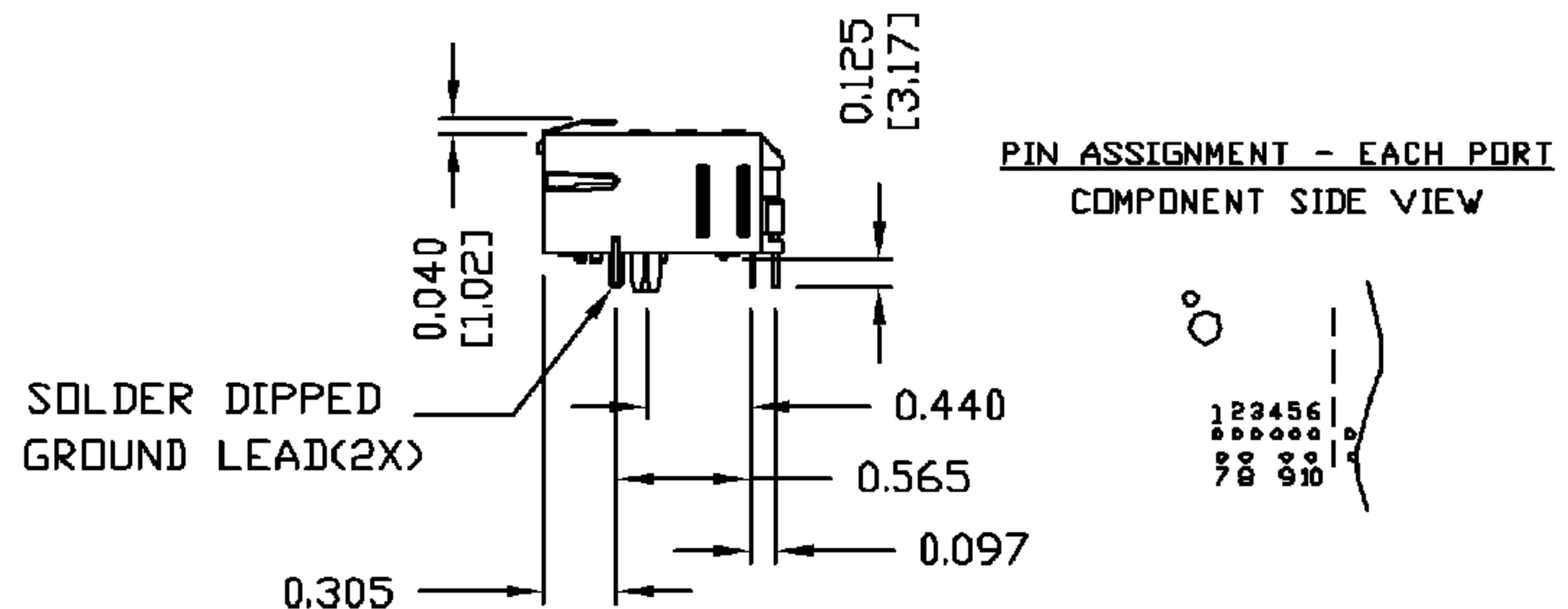
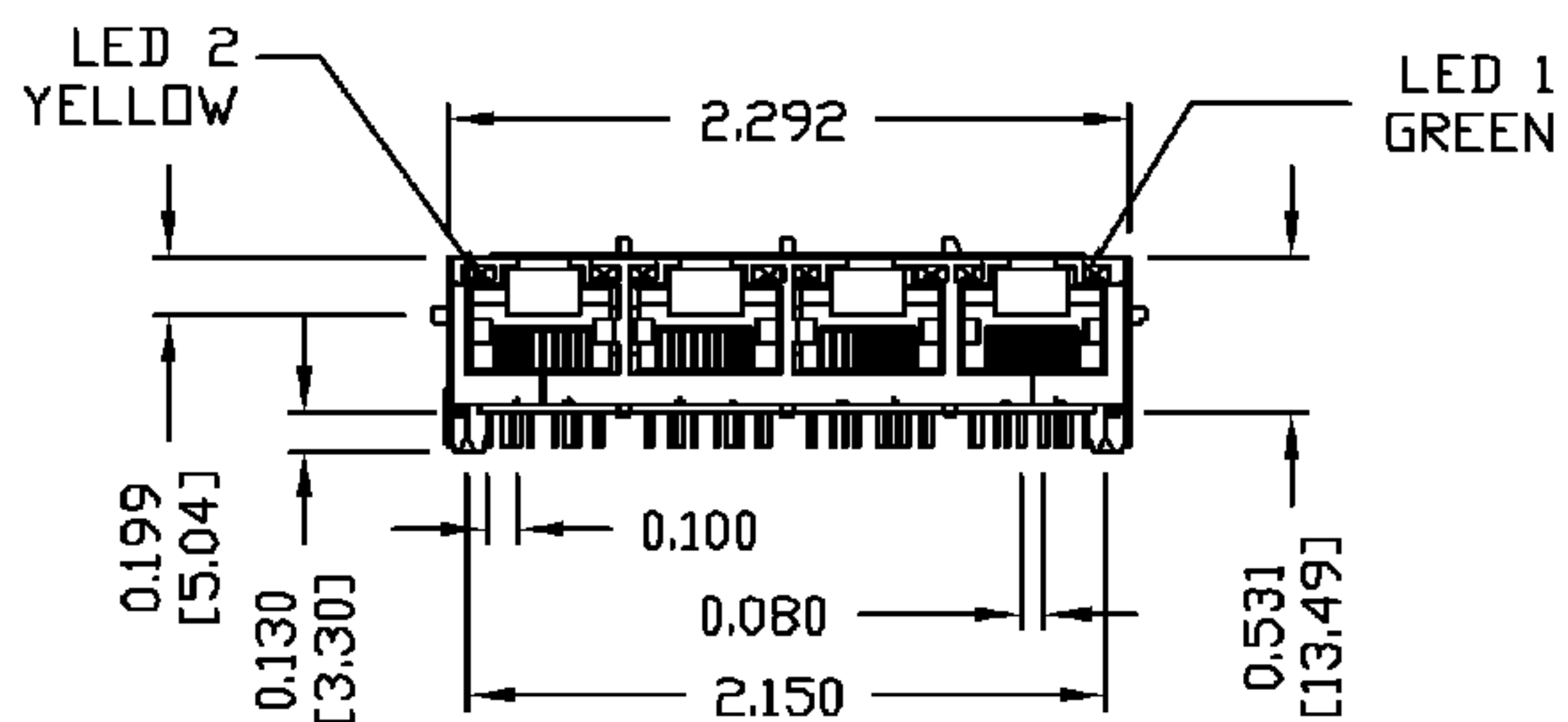
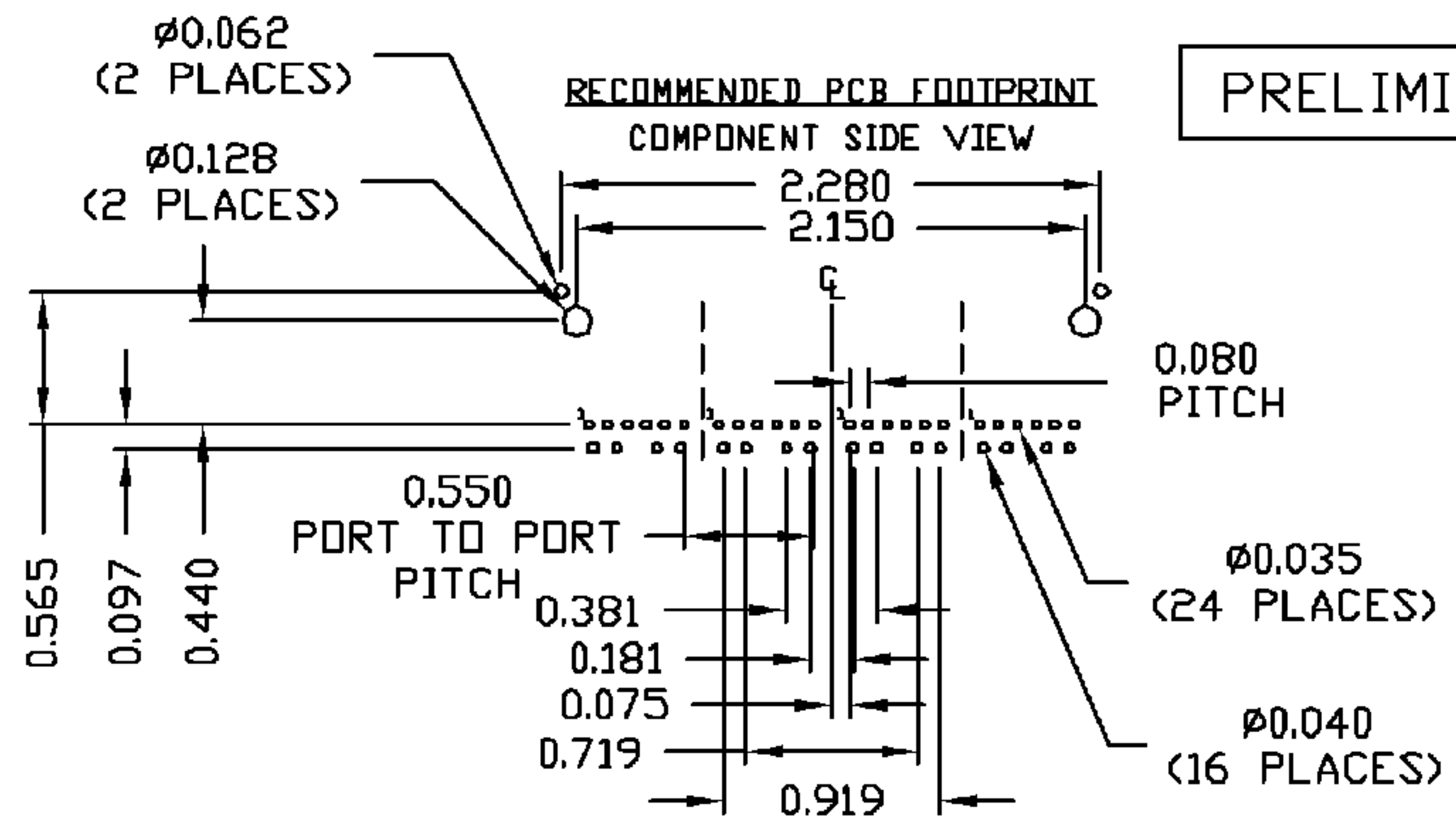
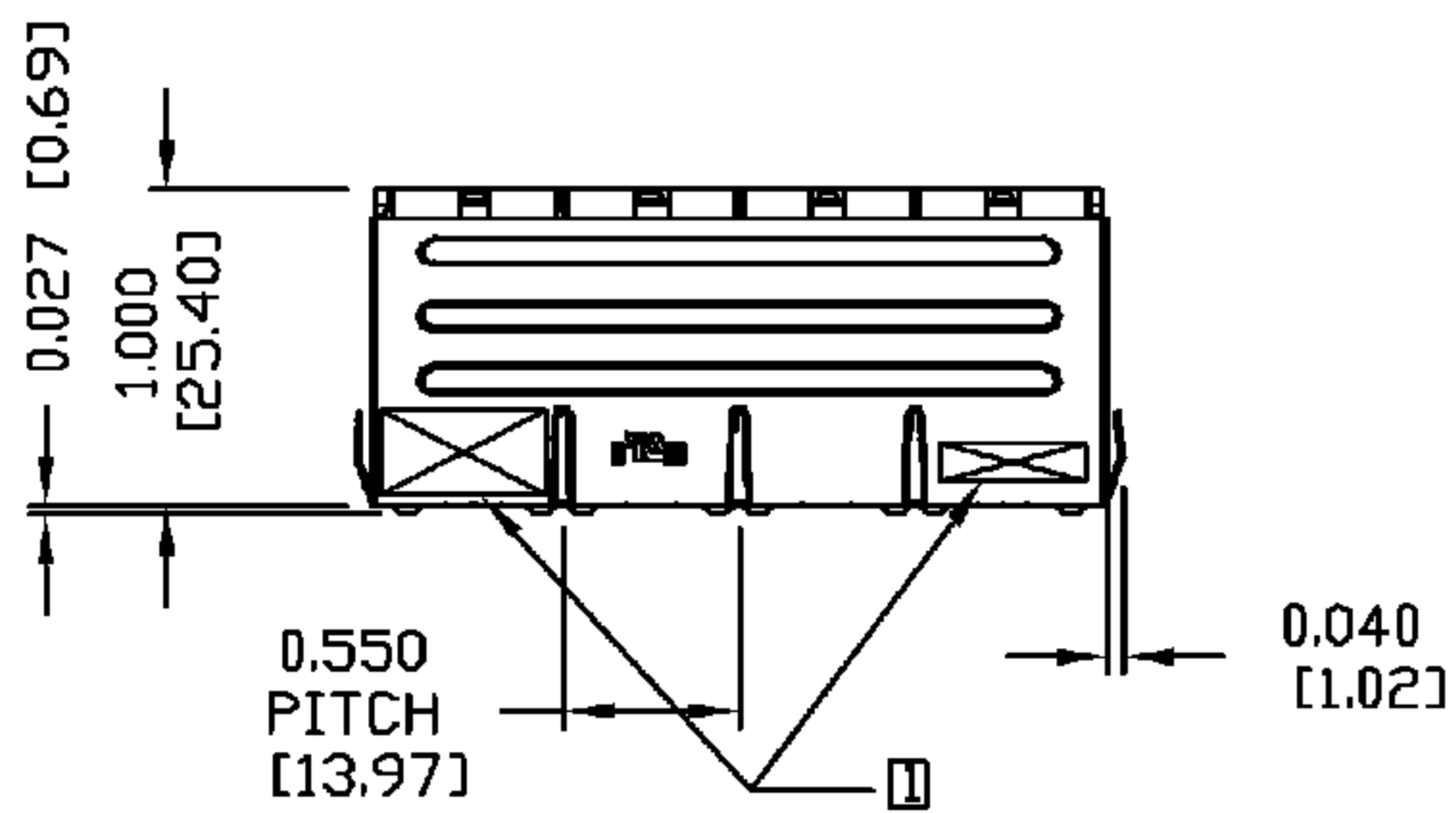
PART NO. / DRAWING NO.	FILE NAME
08B01D4T06-F	08B01D4T06-FPA.DWG

STANDARD DIM. TOL. IN INCH		[] METRIC DIM. AS REFERENCE	
X		UNIT : INCH [mm]	REV. : PA
XX		SCALE : N/A	SIZE : A4
XXX			PAGE : 2



THE INFORMATION CONTAINED HEREIN IS CONSIDERED "PROPRIETARY" TO BEL FUSE INC. AND SHALL NOT BE COPIED, REPRODUCED OR DISCLOSED WITHOUT THE WRITTEN APPROVAL OF BEL FUSE INC.

PRELIMINARY



NOTES:

- PLASTIC HOUSING: THERMOPLASTIC PBT
FLAMMABILITY RATING UL 94V-0
- CONTACTS PLATING: 15 MICRO-INCH HARD GOLD PLATING
- PINS: TIN-COATED COPPER WIRE, DIA 0.018 INCH.
- METAL SHIELD: NICKEL PLATED COPPER ALLOY.
- (ALL GROUND LEADS ARE SOLDER DIPPED)

☐ MARK PART WITH MFG LOGO, MFG NAME, PART NUMBER, AND DATE CODE.

UL RECOGNIZED - FILE #E196366 AND E169987.
RoHS COMPLIANT, PER EU DIRECTIVE 2002/95/EC

DRWN MEI	DATE 10-16-04	TITLE 1X4 MagJack™ (4 Cores, MDIX, CM Termination)
CHKD BILL/KEUNG	DATE 10-16-04	

PART NO. / DRAWING NO. 08B01D4T06-F
FILE NAME 08B01D4T06-FPA.DWG

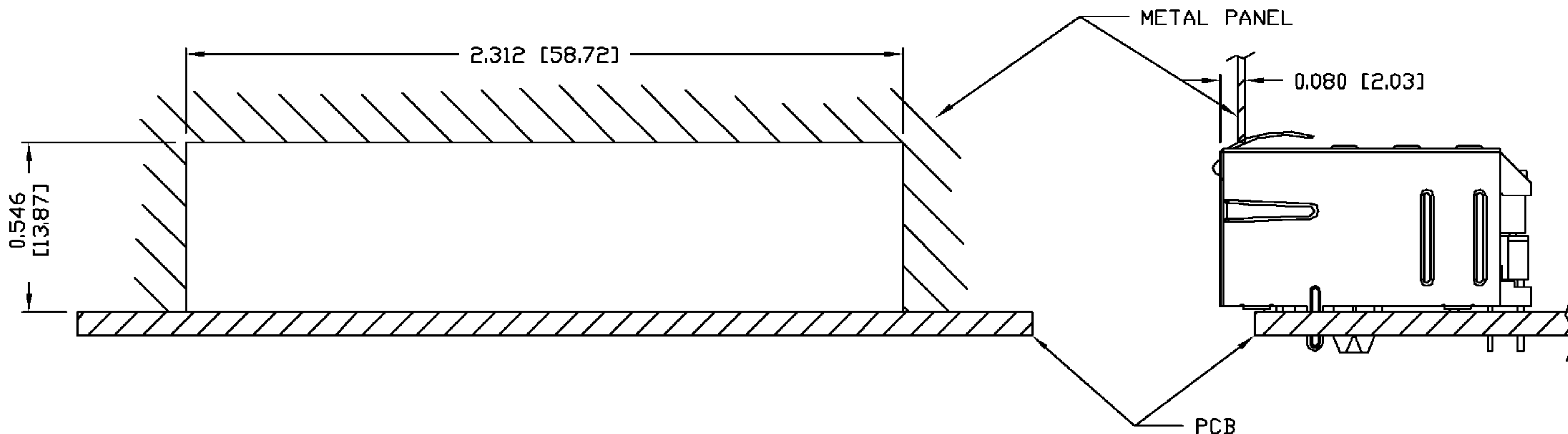
STANDARD DIM. TOL. IN INCH	[] METRIC DIM. AS REFERENCE
X	UNIT : INCH [mm]
XX	SCALE : N/A
XXX	SIZE : A4
	PAGE : 3



THE INFORMATION CONTAINED HEREIN IS CONSIDERED "PROPRIETARY" TO BEL FUSE INC. AND SHALL NOT BE COPIED, REPRODUCED OR DISCLOSED WITHOUT THE WRITTEN APPROVAL OF BEL FUSE INC.

PRELIMINARY

SUGGESTED PANEL OPENING



NOTES:

THE DISTANCE OF PANEL INSIDE SURFACE RELATIVE TO FRONT SURFACE OF PART IS ONLY A SUGGESTION. IN CASE THIS DISTANCE IS DIFFERENT, THE REQUIRED PANEL OPENING DIMENSIONS CHANGE ACCORDINGLY.

PACKING INFORMATION


PACKING TRAY : 0200-0148-17

PACKING QUANTITY : 30 PCS FINISHED GOODS PER TRAY.

10 TRAYS (300 PCS FINISHED GOODS) PER CARTON BOX.

NOTE : CARDBOARDS ARE PLACED BETWEEN LAYERS OF PACKING TRAY INSIDE CARTON BOX.

(INCLUDE THE UPPERMOST AND LOWERMOST TRAY)

DRWN	DATE	TITLE	PART NO. / DRAWING NO.	STANDARD DIM. TOL. IN INCH		[] METRIC DIM. AS REFERENCE		REV. : PA	SIZE : A4	PAGE : 4	 COMPONENTS FOR CONNECTED PLANET
				X	XX	UNIT : INCH [mm]	SCALE : N/A				
MEI	10-16-04	1X4 MagJack™ (4 Cores, MDIX, CM Termination)	08B01D4T06-F								
CHKD	DATE		FILE NAME	XXX	±0.010						
BILL/KEUNG	10-16-04		08B01D4T06-FPA.DWG								

FORM NO. - ENG08D8E001