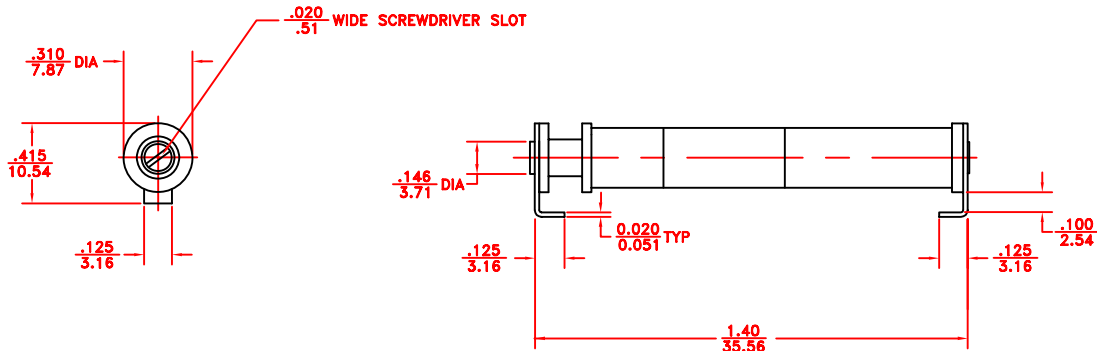


REV	DESCRIPTION	DATE	APP
00	NEW DRAWING	08/03/17	R.L.



**NOTES:**

- 1.CAPACITANCE:  $C_{max} \geq 75$  pF,  $C_{min} \leq 1.0$  pF.
2.  $Q \geq 250$  .
- 3.WORKING VOLTAGE:1,000 VDC.
- 4.WITHSTANDING VOLTAGE: 2,000 VDC.
- 5.INSULATION RESISTANCE:  $10^6$  MEGOHMS.
- 6.TEMPERATURE COEFFICIENT:  $150 \pm 100$  PPM/ $^{\circ}$ C.
- 7.OPERATING TEMPERATURE:  $-55$  TO  $125^{\circ}$ C.
- 8.DIMENSIONS: ( In/mm )

TOLERANCES: (EXCEPT AS NOTED)	SPRAGUE GOODMAN ELECTRONICS INC. 1700 SHAMES DRIVE WESTBURY, NY 11590		
DECIMALS: $\pm 0.005$ In $\pm 0.130$ mm	MATERIAL:	SCALE: 2:1	DRAWN BY: R. LEVIN
FRACTIONAL: 1/64	TITLE: TRIMMER CAPACITOR	APPROVED: I. DITLYA	
ANGULAR: 1"	DATE: 08/03/17	DRAWING NUMBER: GFV75033-S	USED FOR: REV. 00