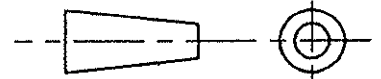
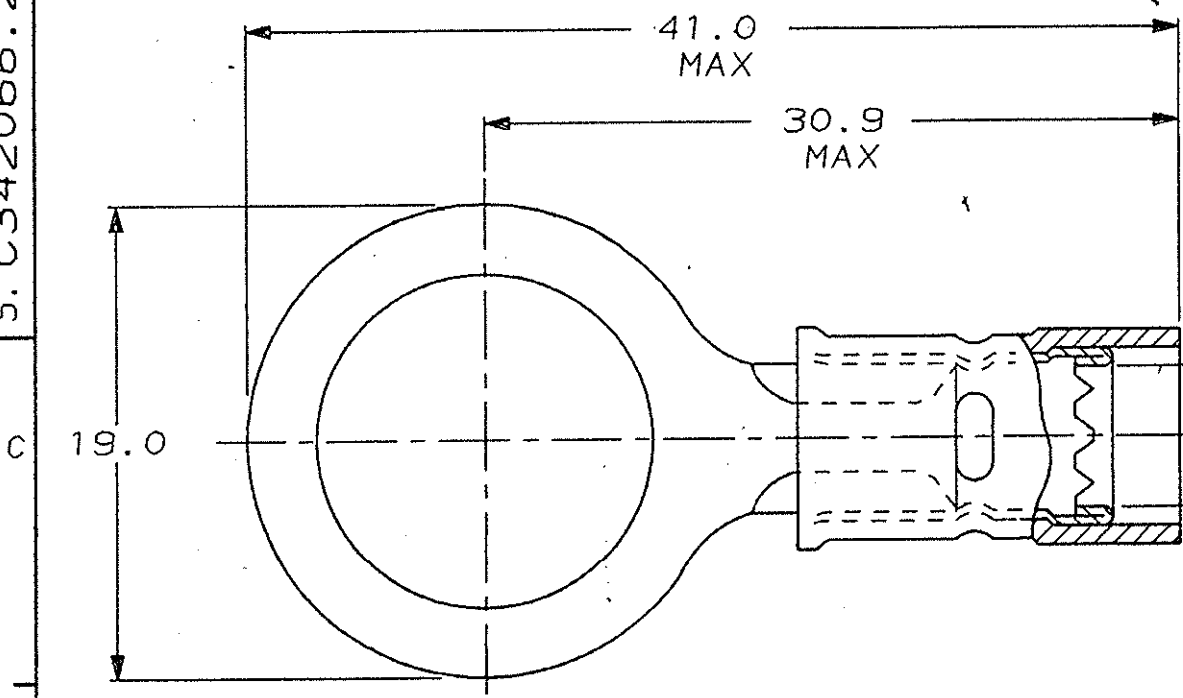


DO NOT SCALE

DIMENSIONS IN MM.



C.A.D. FILE CODE
S. C342066.2



- 1 WIRE INSUL DIA 3.81-6.35
- 2 TONGUE MAT'L THK 1.07 MAX

C
B

CUSTOMER DWG FOR REFERENCE ONLY				THIS INFORMATION IS CONFIDENTIAL AND IS DISCLOSED TO YOU ON CONDITION THAT NO FURTHER DISCLOSURE IS MADE BY YOU TO OTHER THAN AMP PERSONNEL WITHOUT WRITTEN AUTHORIZATION FROM AMP OF GREAT BRITAIN LTD.			
				TOLERANCES UNLESS OTHERWISE STATED :		DR. C. NIKER 17/01/95	
				DEC ± 0.5		CH. B. WILSON APP. B. WILSON	
				ANGLES ± 1°		AMP of Great Britain Ltd. TERMINAL HOUSE STANMORE MIDDX.	
				NAME 16-14 HD PIDG R/T 12 DIA STUD NYLON INSULATION BLACK EXP.			
A		2		SCALE NTS		LOC E	
REV APPROVED		CHANGE No.		DATE		DWG.No. C342066	
A		2		17/01/95		REV A	
B. WILSON		EB00-0014-95		3/04		SHEET 1/1	