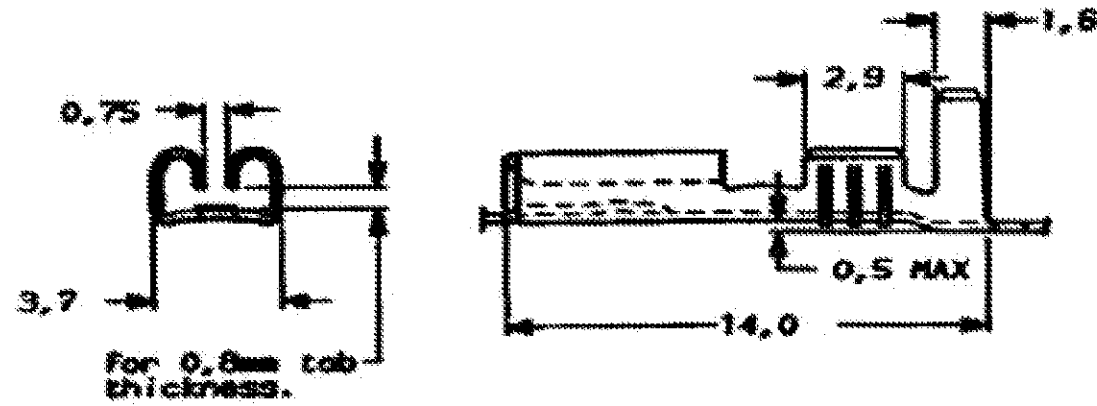
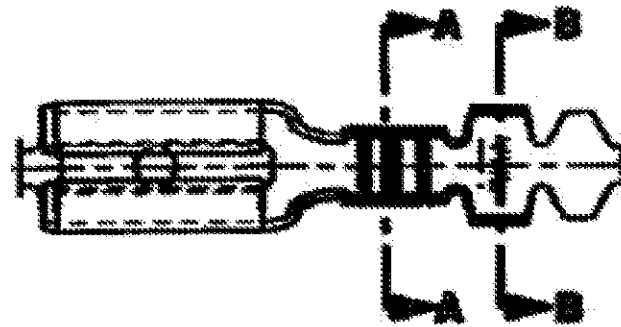
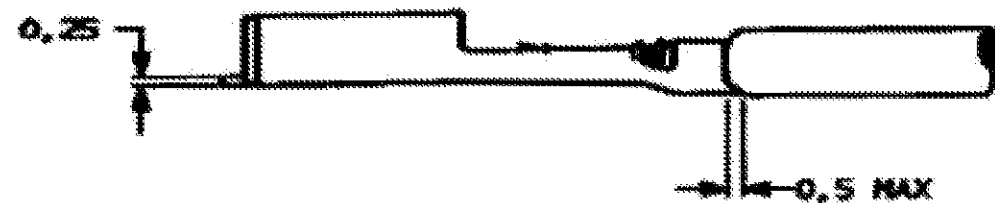
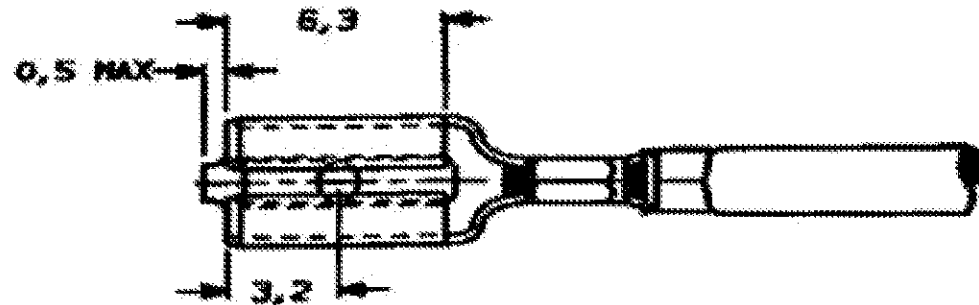


DO NOT SCALE
DIMENSIONS IN mm

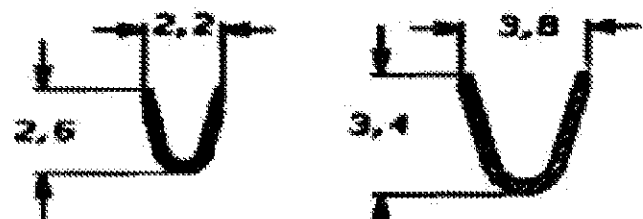
METRIC



For 0.8mm tab thickness.



WIRE RANGE :
0.5-1.0 mm²
INSULATION RANGE :
2.0-3.0mm DIA.



SECTION A-A

SECTION B-B

DIRECTION OFF TOP OF REEL



Terminal "U" up.

NOTES:

△ FOR USE ON MINIATURE APPLICATORS (LEFT-RIGHT FEED) AND STANDARD APPLICATORS (RIGHT-LEFT FEED).

△ OBSOLETE PARTS: OBSOLETE CIS STREAMLINING PER D.RENAUD/D.SINISI

NOTES	FINISH	MATERIAL	PARTNUMBER
△ OBSOLETE	PRE-TINPLATED	PH. BRONZE	160626-9
	SILVERPLATED	BRASS	160626-3
	TINPLATED	BRASS	160626-2
	UNPLATED	BRASS	160626-1

REV.	DESCRIPTION	BY	CHK.	DATE
A1	REVISED PER ECO-09-022178	KK	AEG	25/09/09
A	H-9701	JvdB	AS	08-04-82
REVISION RECORD				

CUSTOMER DRAWING FOR REFERENCE ONLY WILL NOT BE UPDATED
© COPYRIGHT 19- BY AMP HOLLAND B.V.
ALL INTERNATIONAL RIGHTS RESERVED. AMP PRODUCTS MAY BE COVERED BY U.S. AND FOREIGN AND/OR PATENTS PENDING.
THIS DRAWING IS UNPUBLISHED
RELEASED FOR PUBLICATION

AMP | AMP HOLLAND B.V.
s-Hertogenbosch,
The Netherlands.

NAME: .110 SRS FASTON RECEPTACLE.LP

DR. J.T.S. BUIJS	CHK. J. B. B. B.	APP. L. J. B. B.	DWG. NO. C-160626	SHEET 1 OF 3	REV. I.T.R. A1
DATE: 08-04-82	DATE: -	DATE: 24-9-92			