

NOTES:

1. MATERIALS AND FINISHES:

- HEX NUT - BRASS, WHITE BRONZE PLATING
- LOCK WASHER - BRASS, WHITE BRONZE PLATING
- BODY - BRASS, WHITE BRONZE PLATING
- CONTACT - BERYLLIUM COPPER, GOLD PLATING
- LEG - BRASS, BRIGHT TIN PLATING
- O-RING - SILICONE RUBBER, RED
- INSULATOR - PTFE, NATURAL

2. ELECTRICAL:

- A. IMPEDANCE: 50 OHM
- B. FREQUENCY RANGE: 0-11 GHz
- C. VSWR: 1.3, MAX.
- D. D.W.V: 2500 VRMS, MIN.

3. MECHANICAL:

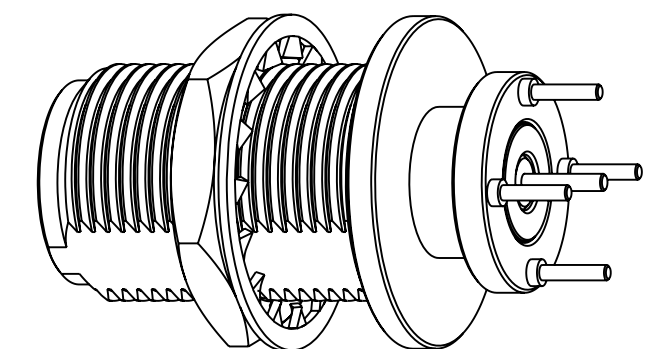
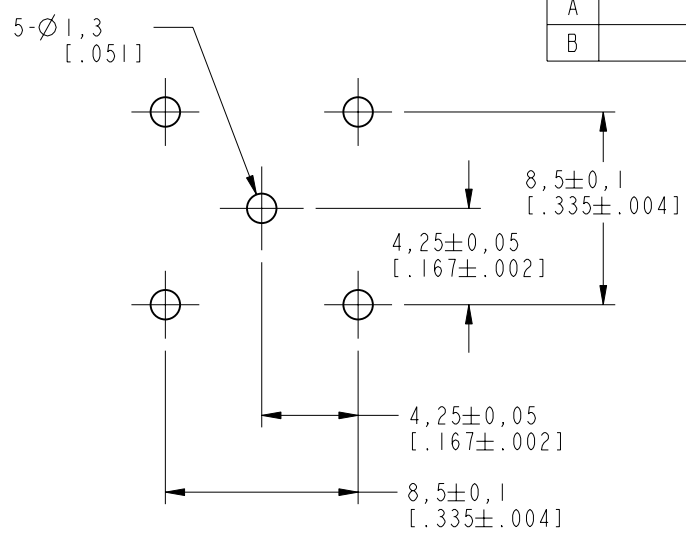
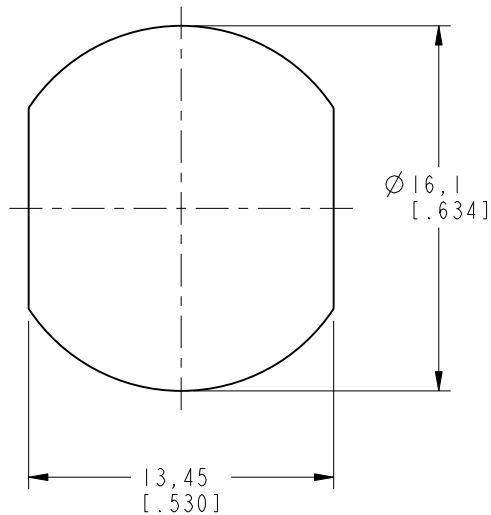
- A. DURABILITY: 500 CYCLES MIN.
- B. TEMPERATURE RANGE: -65°C TO +165°C

4. MAX. PANEL THICKNESS = 8.5 MM

THIRD ANGLE PROJ.

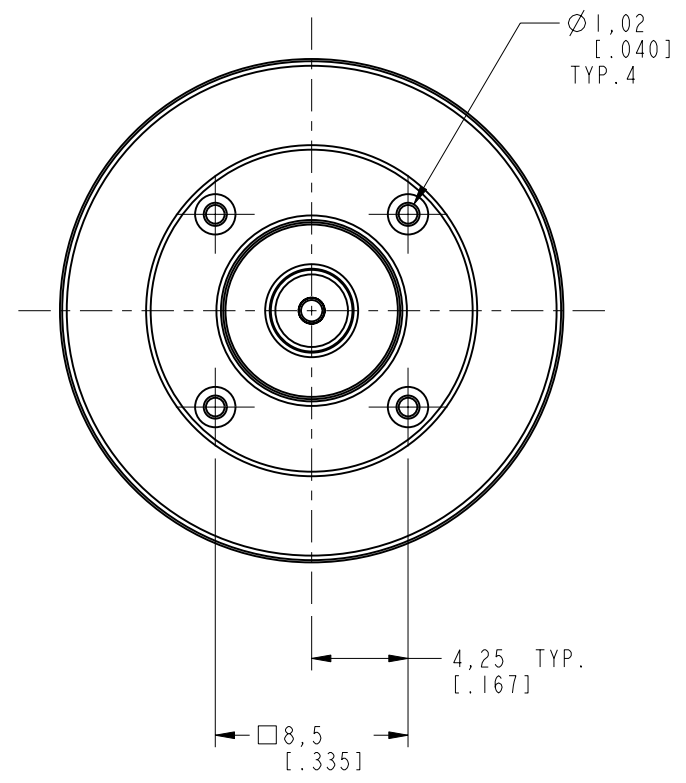
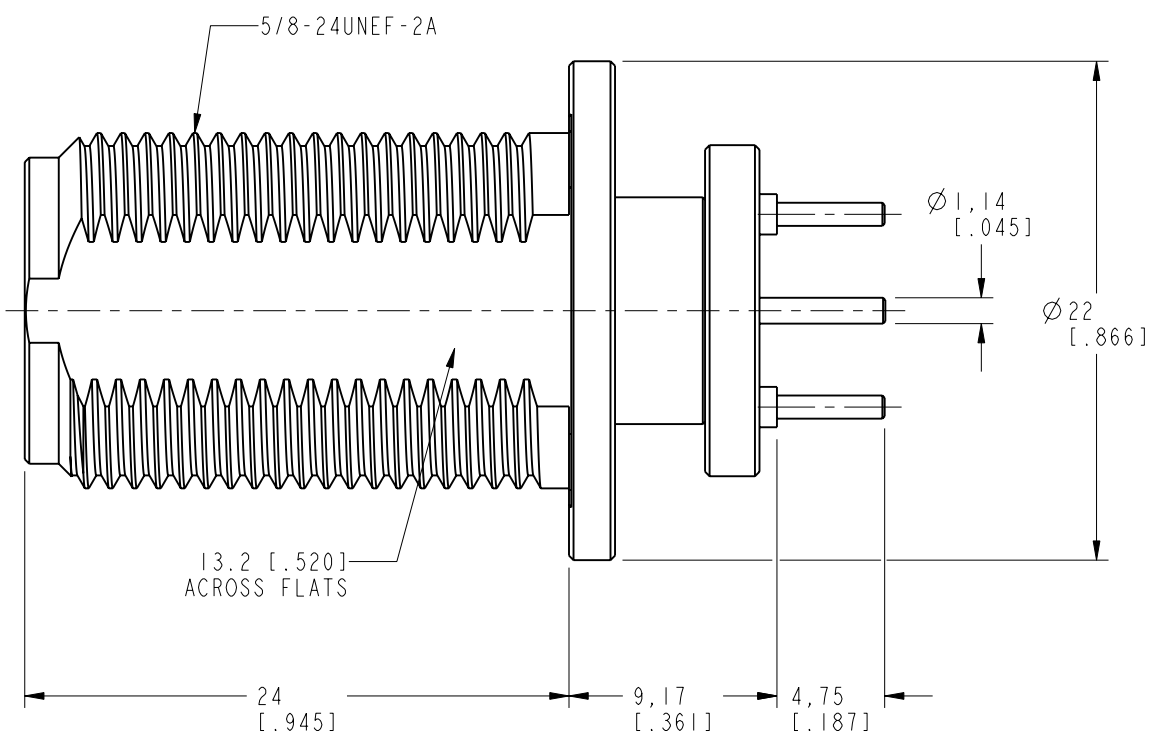
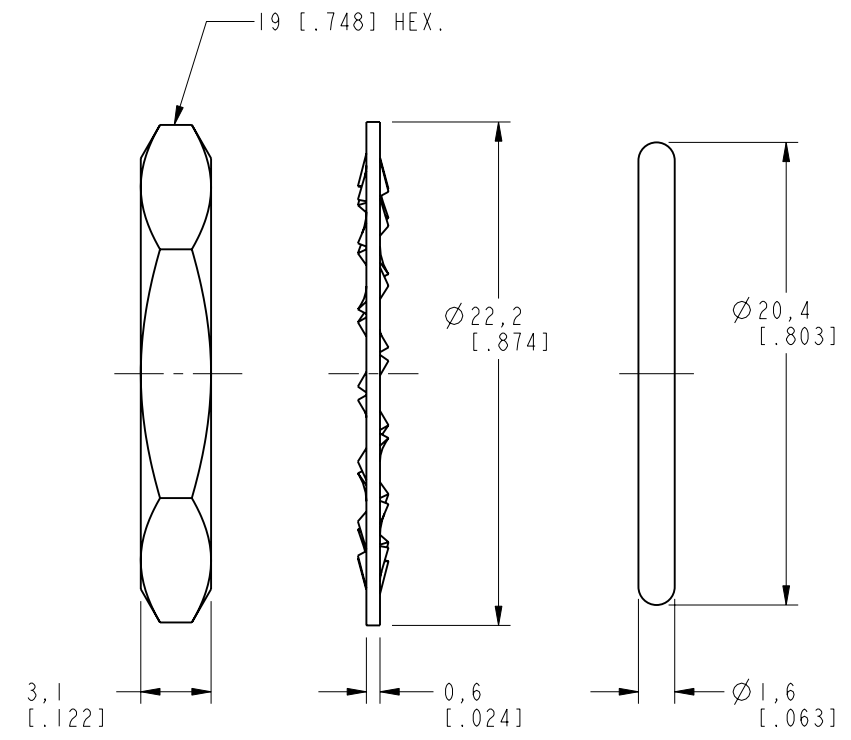
REVISIONS

REV	DESCRIPTION	DATE	ECO	APPR
NC	INITIAL RELEASE	04-Nov-10	----	MZ
A	SYNC, UPDATE DRAWING FORMAT	13-Jan-17	04288	MZ
B	THE BODY & LEG WERE CHANGED	08-Nov-17	05724	SH



RECOMMENDED MOUNTING HOLE

PCB LAYOUT HOLE



CUSTOMER OUTLINE DRAWING
ALL OTHER SHEETS ARE FOR INTERNAL USE ONLY

<p>UNLESS OTHERWISE SPECIFIED, DIMENSIONS ARE IN METRIC AND TOLERANCES ARE: <0.5mm ± 0.05mm 0.5 - 6mm ± 0.1mm 6 - 30mm ± 0.2mm 30 - 120mm ± 0.3mm ANGLES ± 1°</p> <p>NOTICE - These drawings, specifications, or other data (1) are, and remain the property of Amphenol corp. (2) must be returned upon request; and (3) are confidential and not to be disclosed to any person other than those to whom they are given by Amphenol Corp. the furnishing of these drawings, specifications, or other data by Amphenol Corp., or to any other person to anyone for any purpose is not to be regarded by implication or otherwise in any manner licensing, granting rights to permitting such holder or any other person to manufacture, use or sell any product, process or design, patented or otherwise, that may in any way be related to or disclosed by said drawings, specifications, or other data.</p>	MATERIAL	DRAWN M. ZHANG	DATE 08-Nov-17	<p>TITLE N BULKHEAD P.C.B. MOUNT RECEPT. JACK, IP-67 COMPLIANT</p> <p>SCALE: 3.0:1.0 SHEET 2 OF 2</p>	<p>Amphenol RF www.amphenolrf.com</p>
	REFERENCE AND CONFIGURATION LEVEL:	ENGINEER S. DUAN	DATE 13-Jan-17		
FINISH	APPROVED S. HSIEH	DATE 08-Nov-17	CAD FILE	DWG SIZE B	REV B
					ITEM NO. 036451AAT02TV5F
					PART NO. 172243-11