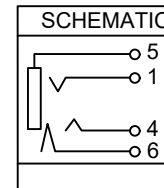
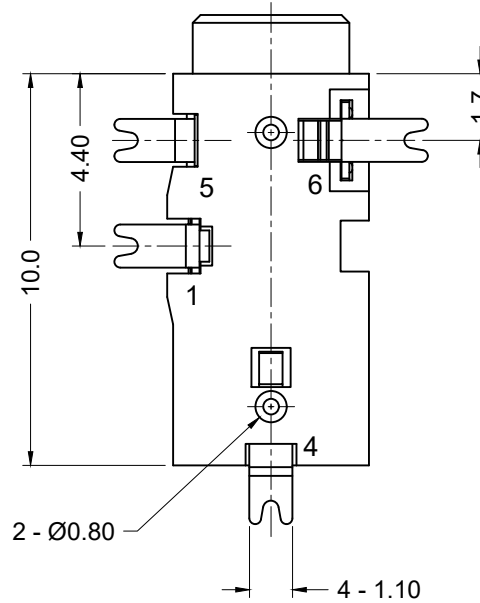


RECOMMENDED PADS LAYOUT
<TOP VIEW>



Material and Finish

Housing: High Temp Plastic
 Terminals: Copper Alloy,
 Silver Plated

Electrical Characteristics

Contact Resistance:
 Before Test: 50 milliohms max.
 After Durability Test:
 100 milliohms max.
 Rated Voltage: 16V DC
 Rated Current: 0.3A
 Insulation Resistance:
 100 Megohms min.
 at 500V DC
 Dielectric Strength:
 500V AC RMS for 1 minute
 Operating Temp:
 -25°C to +85°C

Tolerances

X.X ± 0.25
 X.XX ± 0.15
 Unless Stated
 Otherwise



REV.	DATE	DESCRIPTION	REV. BY	CHK. BY	DRAWN BY	DATE
A0	1/11/08	New Drawing	WILL H.	H. MA	WILL H.	1/10/08
A1	2/7/08	Release Drawing	H. MA	N/A		
A2	09/14/09	ECO #09-070	S. Vien	H. MA	UNITS	mm
A3	08/14/18	Update Address	D. Shehan	N/A		
A4	12/15/21	Correct Dim Notes	C. Kelleher	Carl Furumasu		

STX-25406-4N-TR

Ø2.5mm Earphone Jack, SMT
 4 Pins, RoHS Compliant

