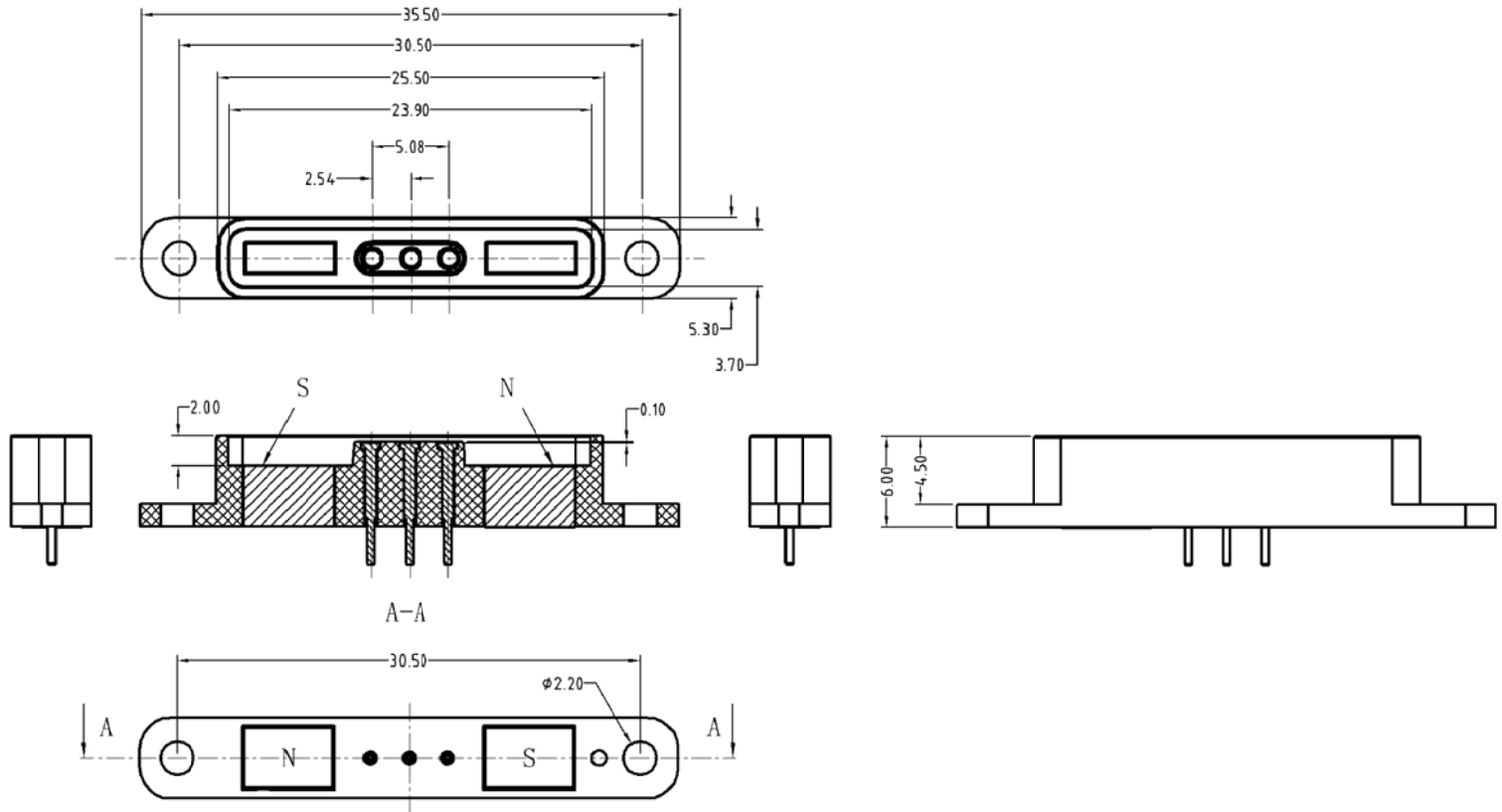


Rev	AWO #	Description	Date	Appr
-		RELEASED	7/10/18	

APPROVED: \_\_\_\_\_  
DATE: \_\_\_\_\_ TITLE: \_\_\_\_\_



SPECIFICATIONS:  
Material:  
Insulator: HTN, rated UL 94V-0  
Insulator color: Black  
Contact: Pogo pin, 5u" Gold plated  
Magnet: N52 NdFeB, Ni-Cu-Ni plated  
Electrical:  
Rating Current & Voltage rating: 12VDC, 3A  
Contact resistance: 50 mohms max  
Environmental:  
Lead free, RoHS compliant.



Mating with: CA-RA3-PH1-25D5-M

UNLESS OTHERWISE SPECIFIED ALL DIMENSIONS ARE MILLIMETERS TOLERANCES: EXCEPT AS NOTED		<b>ADAM TECH</b> INTERCONNECTS 909 Rahway Avenue, Union, NJ 07083 Phone: 908-687-5000 Fax: 908-687-5710		
MM	ANGLE			
0~6 ± 0.10		TITLE: 2.54MM PITCH POGO PIN, FEMALE, 3P SINGLE ROW, MAGNET, STRAIGHT		
6~30 ± 0.20	±2°			
30~150 ± 0.30		SIZE	PART NO.	REV.
APPROVALS		DATE		
DRAWN	HR	7/10/18		
CHECKED	LW	7/10/18		
APPROVED				
REF: S00170C		SCALE: NTS	SHEET 1 OF 1	

6 5 4 3 2 1

6 5 4 3 2 1

D

D

C

C

B

B

A

A