

**Power Inductor AMDU Series**

**Automotive  
AEC-Q200**

RoHS Compliant  
Halogen Free  
REACH Compliant



- Power Circuit
- Shield
- Wire Wound
- Metal
- Ultra High Current

**Part Numbering**

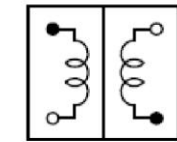
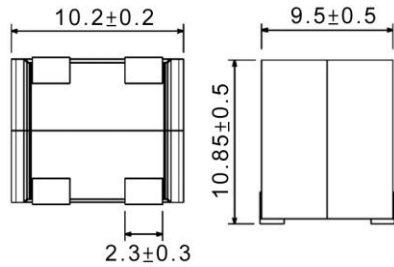
<b>A</b>	<b>MDU</b>	<b>00</b>	<b>101010</b>	<b>100</b>	<b>M</b>	<b>A1</b>
Grade	Series Name	Control Code	Dimensions Code (mm)	Inductance (uH)	Tolerance	Internal Code
			101010 10.2x9.5x10.85	100 10 150 15 220 22	M ±20%	

**Power Inductor AMDU Series**

**Automotive  
AEC-Q200**

**AMDU00101010 Type**

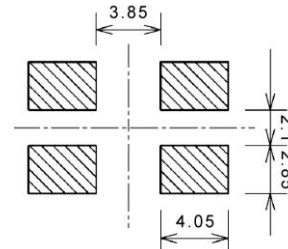
**■ Dimensions**



● winding start position

unit:mm

**■ Recommended Land Pattern**



unit:mm

**■ Electrical Characteristics**

Part No.	Inductance (uH)	Test Freq.	RDC(mΩ) Max(Typ)	Isat (A)Typ.	Irms (A)Typ.	Tolerance (±%)	Marking
AMDU00101010100MA1	10	100kHz/0.5V	24(20)	7.5	4.8	20	100
AMDU00101010150MA1	15	100kHz/0.5V	35(30)	5.5	3.8	20	150
AMDU00101010220MA1	22	100kHz/0.5V	53(48)	4.5	3.0	20	220

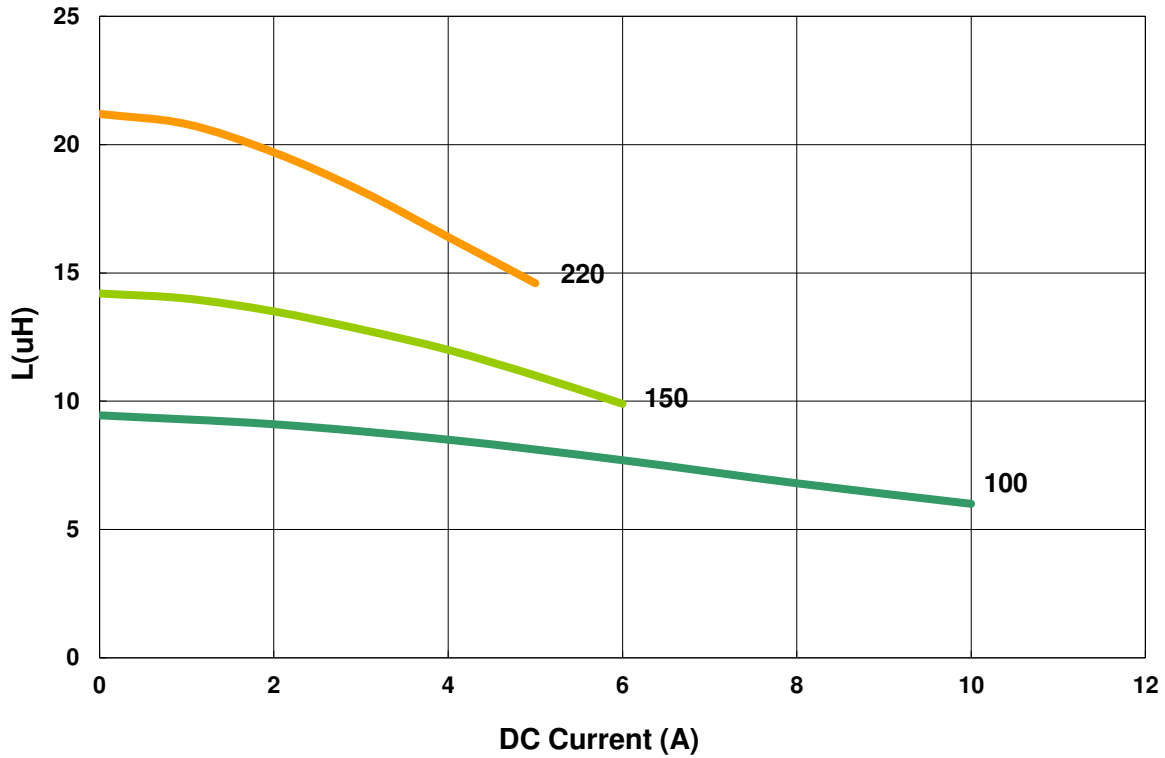
**Note: When ordering, please specify tolerance code. Tolerance: M=±20%**

- Operating temperature range - 40°C ~ 125°C
- Isat for Inductance drop 30% from its value without current
- Irms for a 40°C temprature rise from 25°C ambient with current
- The part temperature (ambient + temp rise) should not exceed 125°C under worst case operating conditions.  
Circuit design 125°C under worst case operating conditions. Component placement, PWB trace size and thickness, airflow and other cooling provisions all affect the part temperature. Part temperature should be verified in the end application.
- Absolute maximum voltage 30VDC
- Measure Equipment:  
L: WK3260B or WK6500P  
RDC: CHEN HWA502 or 16502  
Isat: WK3260B+WK3265B  
Irms: CHROMA 1810

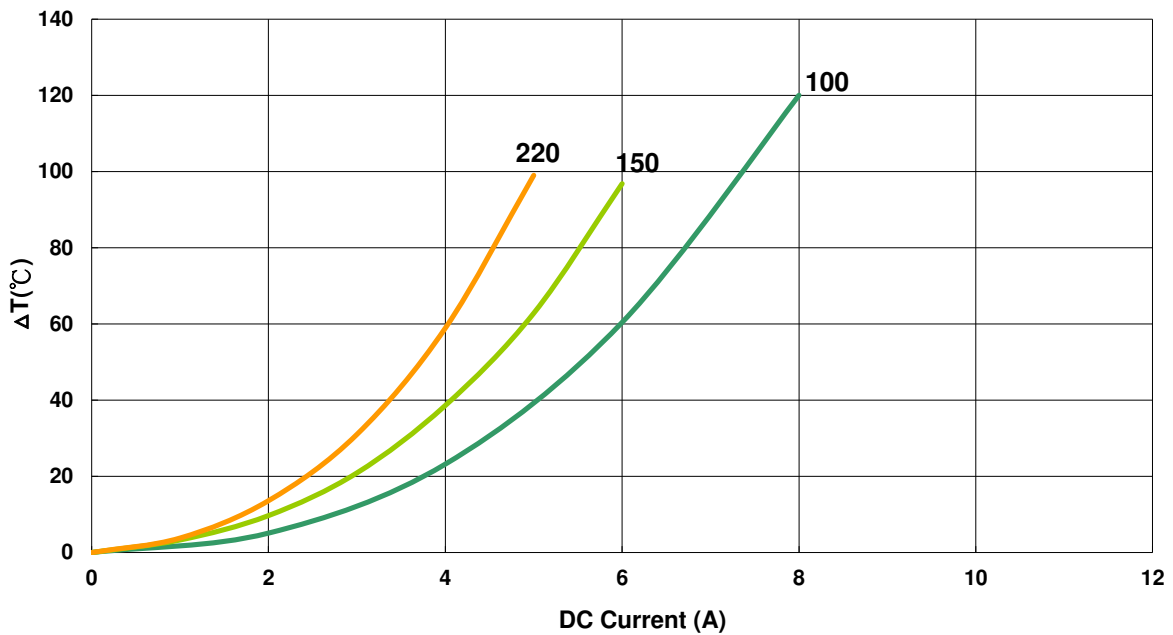
AMDU00101010 Type

■ Characteristics Graph

Inductance vs. DC Current



Temperature Change vs. DC Current

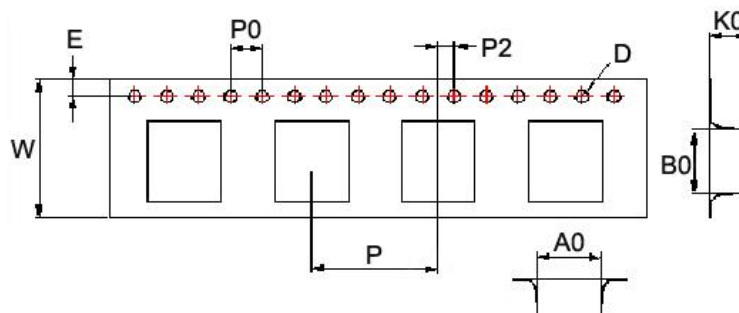


**Power Inductor AMDU Series**

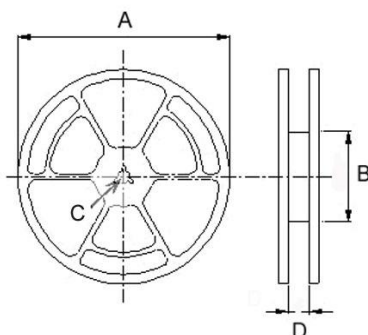
**Automotive  
AEC-Q200**

**■ Packaging**

Tape Dimensions



Reel Dimensions



Dimensions in mm

TYPE	Tape Dimensions									Reel Dimensions				Quantity
	A0	B0	K0	D	E	W	P	P0	P2	A	B	C	D	PCS / REEL
AMDU00101010	10.2	10.7	11.5	1.55	1.75	24	16	4	2	330	100	13	24.4	200